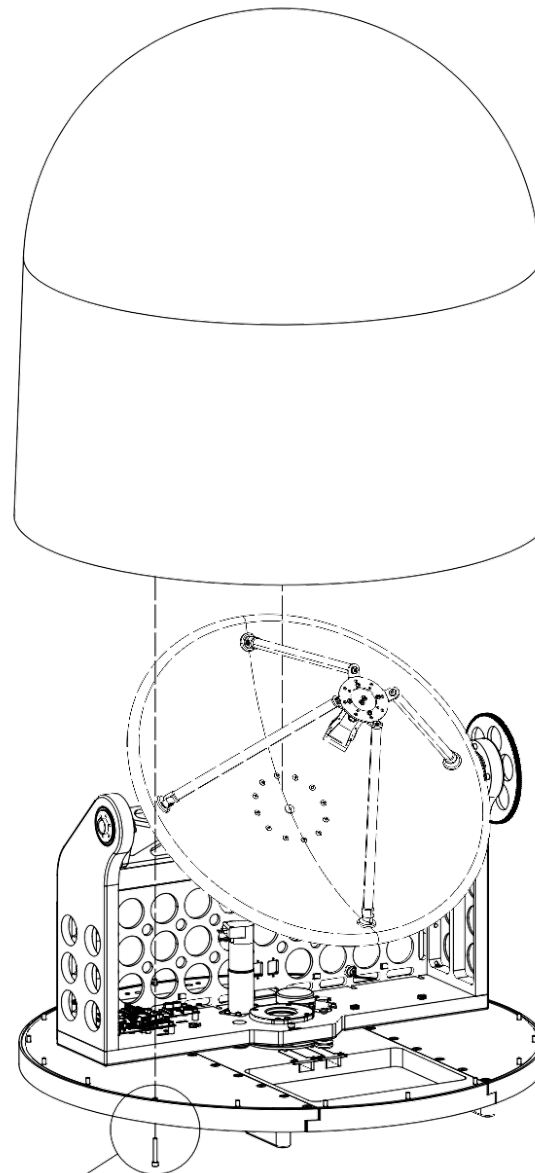


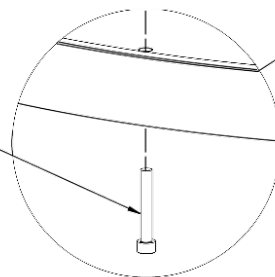
REV	DESCRIPTION	DATE	APPROVED
B	CN601412	2024-08-02	CLC

NOTES: UNLESS OTHERWISE SPECIFIED

1. LINKALIGN-360MPS-55 DESIGNED FOR QPAR QSR-600 ANTENNA IS CONFIGURABLE PER TABLE I. LINKALIGN-360MPS-55-Q02 CONFIGURATION SHOWN THROUGHOUT DRAWING
2. USE INTERFACE CONTROL DRAWING IN CONJUNCTION WITH DATASHEETS N500247
3. SEE SHEET 4 TABLE II, SHEET 5 AND SHEET 6 FOR AVAILABLE LINKALIGN-360MPS-55 ACCESSORY OPTIONS
4. POSITIONER POWERED BY POWER OVER ETHERNET 50-57 VDC, 4 PAIR, PASSIVE (INDOOR RATED 50 VDC POWER SUPPLY INCLUDED WITH POSITIONER, NOT SHOWN IN DRAWING). STANDBY POWER DRAWS LESS THAN 10 W. MAXIMUM POWER DRAW, 60 W
5. EXTERNAL CONSTRUCTION COMPRISED OF HARD COAT ANODIZED ALUMINUM WITH STAINLESS STEEL HARDWARE WITH UV STABILIZED WHITE MATTE ABS PLASTIC RADOME
6. 440° (+/-220°) AZIMUTH TRAVEL WITH 100°/SEC DRIVE RATE (NO LOAD). DRIVE RATE CUSTOMIZABLE (SEE TABLE I). OPTIONAL CONTINUOUS AZIMUTH TRAVEL UTILIZING A SLIP RING AND RF ROTARY JOINT AVAILABLE. CONTACT NEXTMOVE FOR ADDITIONAL INFORMATION
7. 110° (-10° TO +100°) ELEVATION TRAVEL WITH 60°/SEC DRIVE RATE (NO LOAD). DRIVE RATE CUSTOMIZABLE (SEE TABLE I). CONTACT NEXTMOVE FOR ADDITIONAL INFORMATION
8. -22° TO 140°F (-30° TO 60°C) OPERATIONAL TEMPERATURE RANGE OR -40° TO -140°F (-40° TO 60°C) WITH EXTENDED TEMPERATURE RANGE OPTION (SEE TABLE I). -40° TO 158°F (-40 TO 70°C) NON-OPERATIONAL TEMPERATURE RANGE
9. 0.01° FEEDBACK RESOLUTION IN ALL AXES
10. 35.56" (90.3 cm) HIGH, 34.38" (87.3 cm) OUTSIDE DIAMETER OF RADOME, 31.80" (80.8cm) MAX INTERNAL DIAMETER SWEEP VOLUME
11. WEIGHT APPROXIMATELY 113 LBS (51.3 kg) WITHOUT ANTENNA
12. POSITIONER MOUNTING HOLES
13. OPTIONAL RADIO ADAPTER ACCESSORY MOUNTING HOLES MAY BE ADDED UPON REQUEST. CONTACT NEXTMOVE FOR MORE INFORMATION
14. CENTER OF GRAVITY 0" IN THE X-DIRECTION, 8.5" (21.6 cm) IN THE Y-DIRECTION AND 0.2" (.5 cm) IN THE Z-DIRECTION
15. STANDARD RF CABLE COMPRISED OF (1) 63" (160 cm) INTERNAL LENGTH N-TYPE FLEXCORE 210 (TELEDYNE STORM P/N 072-0321-1.60MTR) WITH EXTERNAL N-TYPE RF CONNECTOR, DC-18 GHZ, AVERAGE POWER HANDLING 744 W @ 1 GHz, 177 W @ 18 GHz, RF CABLE CUSTOMIZABLE (SEE SHEET 4 TABLE IV). CONTACT NEXTMOVE FOR MORE INFORMATION
16. TORQUE RADOME FASTENER TO 27 IN-LBS (3.1 Nm) USING 5mm HEX BIT. DO NOT OVERTIGHTEN
17. RUBBER GROMMETS CAN BE REMOVED AND RELOCATED TO ANY OF THE 2 INCH DIAMETER HOLES ON THE REAR SUPPORT PLATE FOR CABLE PASS THRU TO ALLEVIATE CHAFING
18. SUPPLEMENTAL INTERFACE DRAWING FOR CUSTOM CONFIGURATIONS AVAILABLE UPON REQUEST.



16  
M6 X 1 mm,  
40 mm LONG,  
316 STAINLESS STEEL  
SOCKET HEAD SCREW  
18 PLACES



SYMBOL KEY	
□	NOTE
○	PL ITEMS

**PROPRIETARY AND CONFIDENTIAL**  
THE INFORMATION CONTAINED IN THIS DRAWING IS THE SOLE PROPERTY OF QPAR ANTENNAS USA, LLC. ANY REPRODUCTION IN PART OR AS A WHOLE WITHOUT THE WRITTEN PERMISSION OF QPAR IS PROHIBITED.

QPAR ANTENNAS USA, LLC  
SAN DIEGO, CA 92120  
[www.qparusa.com](http://www.qparusa.com)

UNLESS OTHERWISE SPECIFIED:	
DIMENSIONS ARE IN INCHES	ANGLE 10° DECIMALS
TWO PLACE DECIMAL	THREE PLACE DECIMAL .010
INTERPRET DIM AND TOL PER ASME Y14.5M - 1994	

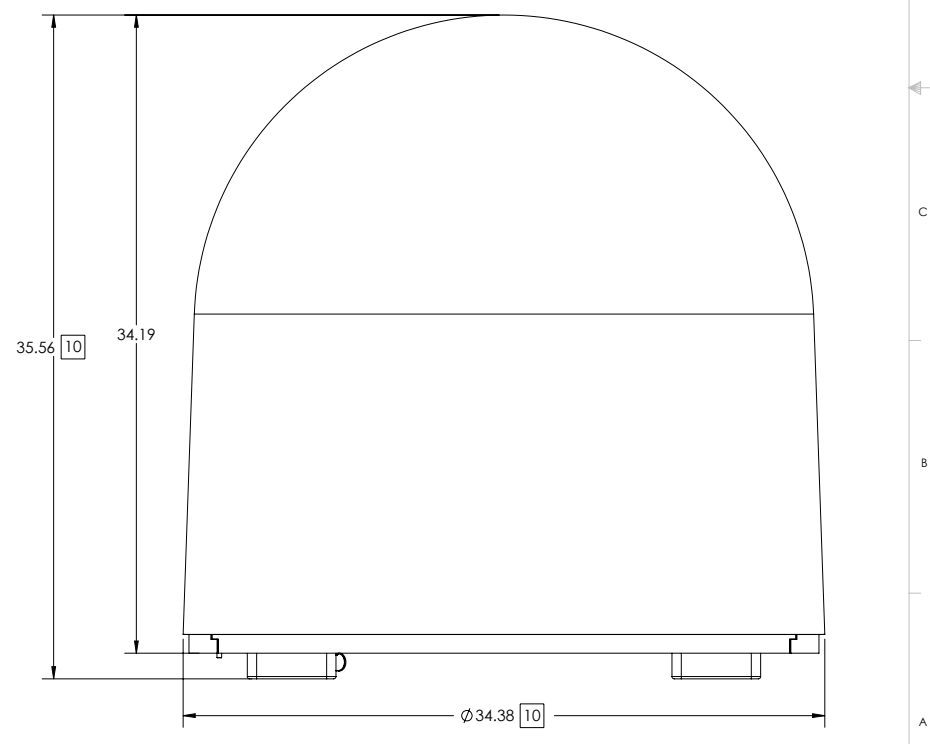
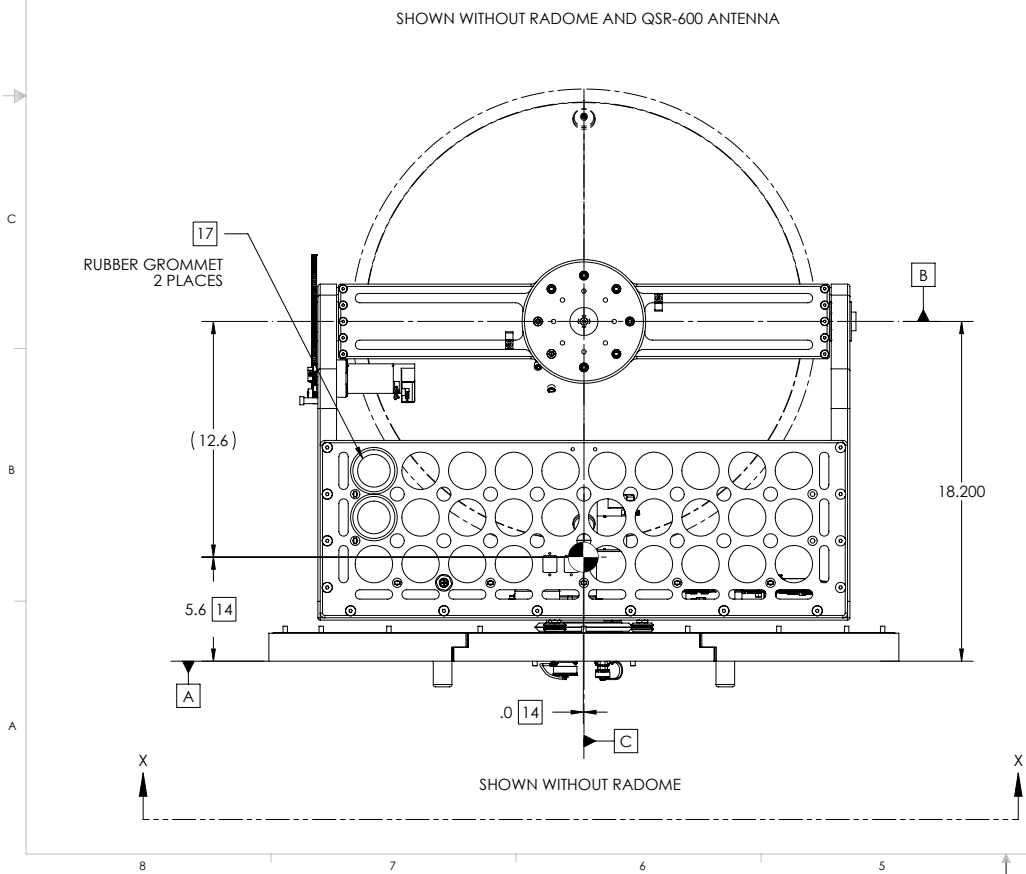
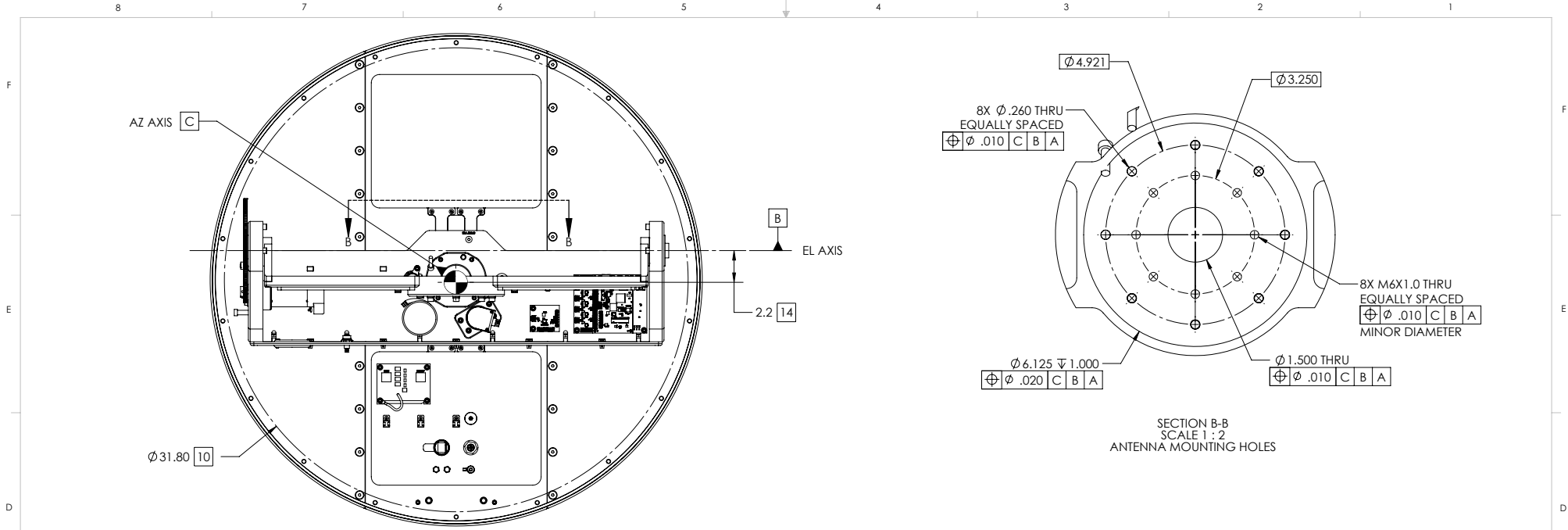
**THIRD ANGLE PROJECTION**

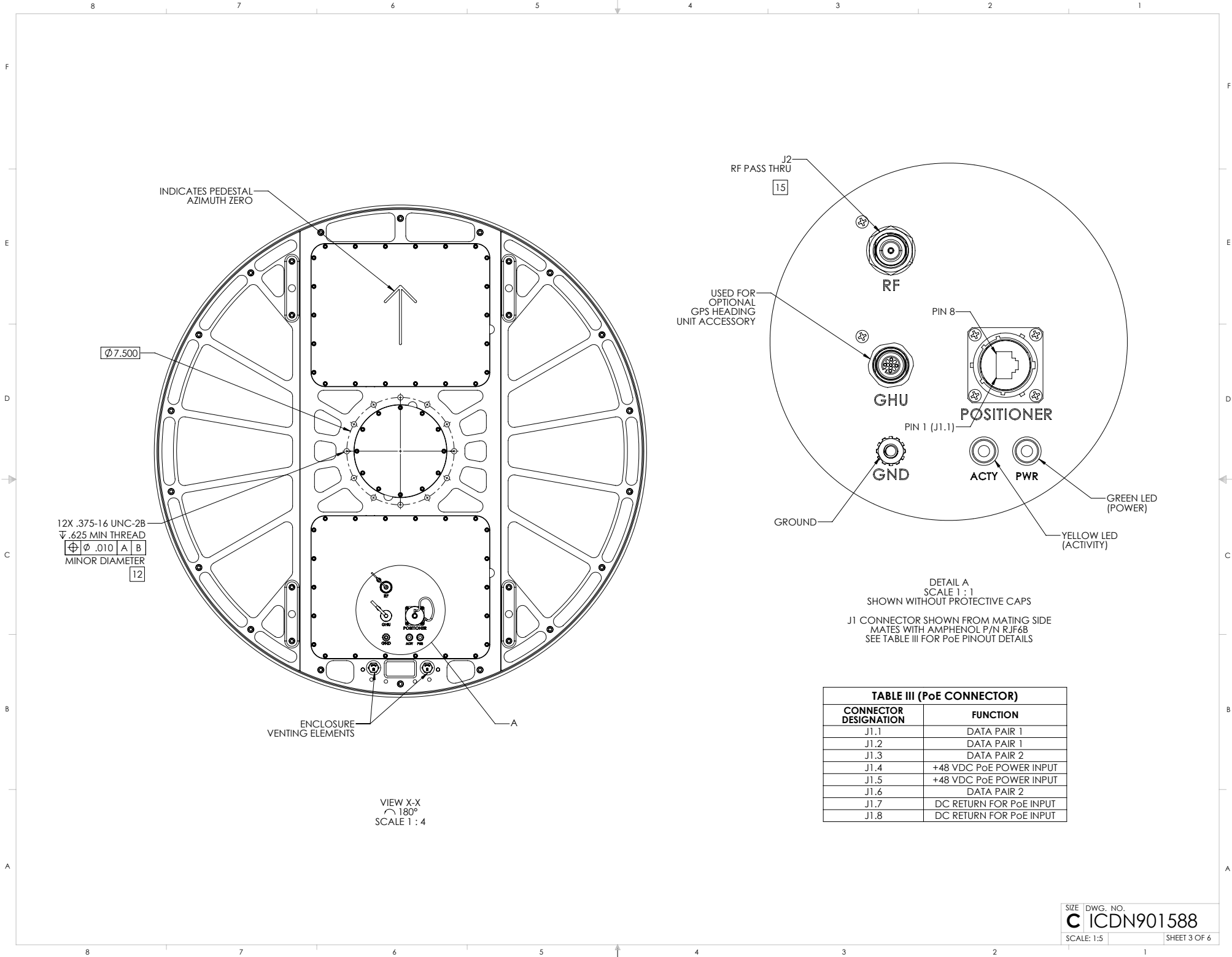
DO NOT SCALE DRAWING

DRAWN	S. CHEYNE	2024-04-03
CHECKED	C. CHEYNE	2024-04-03
ME APPR	C. CHEYNE	2024-04-03
EE APPR		

PART NO.  
**SEE TABLE I**

QPAR ANTENNAS USA, LLC	
TITLE: <b>LINKALIGN-360MPS-55 INTERFACE CONTROL DRAWING</b>	
SIZE	DWG. NO.
<b>C</b>	<b>ICDN901588</b>
SCALE: 1:6	SHEET 1 OF 6





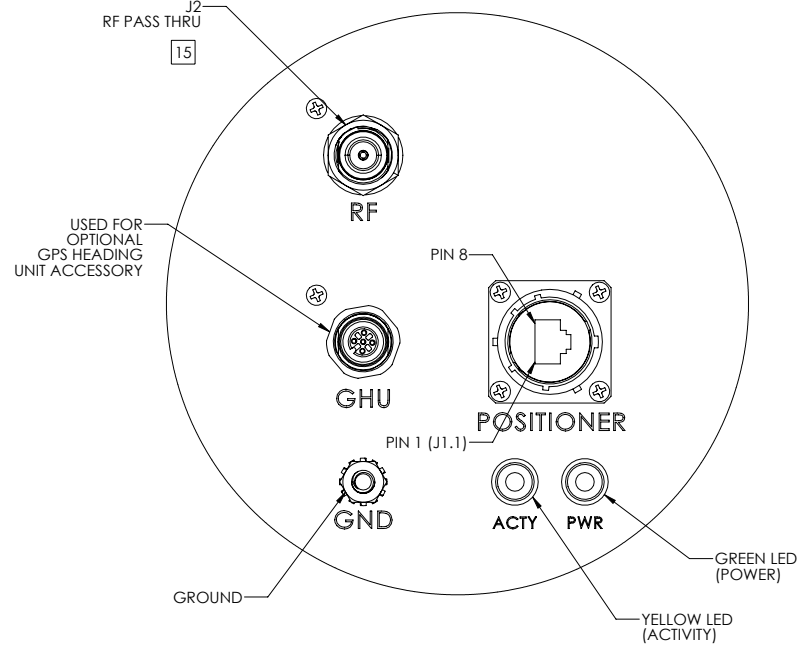
INDICATES PEDESTAL AZIMUTH ZERO

Ø 7.500

12X .375-16 UNC-2B  
 √.625 MIN THREAD  
 ⊕ Ø .010 A B  
 MINOR DIAMETER  
 12

ENCLOSURE VENTING ELEMENTS

VIEW X-X  
 180°  
 SCALE 1 : 4



DETAIL A  
 SCALE 1 : 1  
 SHOWN WITHOUT PROTECTIVE CAPS  
 J1 CONNECTOR SHOWN FROM MATING SIDE  
 MATES WITH AMPHENOL P/N RJF6B  
 SEE TABLE III FOR PoE PINOUT DETAILS

TABLE III (PoE CONNECTOR)	
CONNECTOR DESIGNATION	FUNCTION
J1.1	DATA PAIR 1
J1.2	DATA PAIR 1
J1.3	DATA PAIR 2
J1.4	+48 VDC PoE POWER INPUT
J1.5	+48 VDC PoE POWER INPUT
J1.6	DATA PAIR 2
J1.7	DC RETURN FOR PoE INPUT
J1.8	DC RETURN FOR PoE INPUT

TABLE II (LA-360MPS-55 ACCESSORY OPTIONS)		
ACCESSORY DESCRIPTION	ACCESSORY PART NUMBER	ACCESSORY ICD
MPS MAST ADAPTER ASSEMBLY (AVAILABLE IN 2.0, 2.5, & 3.0 IN OD)	ACC-N900788-2.0 ACC-N900788-2.5 ACC-N900788-3.0	ICDN900788
MPS MAST ADAPTER ASSEMBLY (AVAILABLE IN 3.5, 4.0, & 4.5 IN OD)	ACC-N900789-3.5 ACC-N900789-4.0 ACC-N900789-4.5	ICDN900789
GPS HEADING UNIT	ACC-N900502-24	ICDN900502
ADAPTER BRACKET ASSEMBLY, GHU TO MPS-10	ANTB-N900854-1	ICDN900854

TABLE IV - RF CABLE OPTIONS		
RF Cable Code	RF Cable Type	Description
01	RG316	DC-3 GHz RF Cable Pass Thrus (RF Cable RG316) (N-Type)
02	LMR-100A-UF	DC-5.8 GHz (Max Input Power @ 5.8 GHz - 13W) RF Cable Pass Thru (RF Cable LMR-100A-UF) (N-Type)
03	LMR-195UF	DC-5.8 GHz (Max Input Power @ 5.8 GHz - 50W) RF Cable Pass Thru (RF Cable LMR-195UF) (N-Type)
04	LMR-240UF	DC-5.8 GHz (Max Input Power @ 5.8 GHz - 80W) RF Cable Pass Thru (RF Cable LMR-240UF) (N-Type)
05	FlexCore 210	DC-18 GHz RF Cable Pass Thru (RF Cable FlexCore 210) (N-Type)
06	PE-P160LL or LL160	DC-18 GHz RF Cable Pass Thru (RF Cable Low Loss 160) (N-Type)
07	UFA147B	DC-11 GHz RF Pass Thru (RF Cable UFA147A) (N-Type)
08	LMR-100A-UF	DC-5.8 GHz SMA RF Cable Pass Thru (RF Cable LMR-100A-UF) (SMA Type)
09	FlexCore 210	DC-18 GHz RF Cable Pass Thru (RF Cable FlexCore 210) (2.92 Type)
10	T-Flex 405	DC-40 GHz RF Cable Pass Thru (RF Cable T-Flex 405) (2.92 Type)
11	RG179	DC-3 GHz RF Cable Pass Thrus (RF Cable RF179) (BNC Type)
12	UFB205A	DC-18 GHz RF Pass Thru (RF Cable UFB205A) (N-Type)
13	UFA210B	DC-18 GHz RF Pass Thru (RF Cable UFA210B) (N-Type)
14	True Blue 290	DC-18 GHz RF Pass Thru (RF Cable True Blue 290) (N-Type)
15	PE-P142LL or LL142	DC-18 GHz RF Pass Thru (RF Cable Low Loss 142) (N-Type)

8

7

6

5

4

3

2

1

F

E

D

C

B

A

F

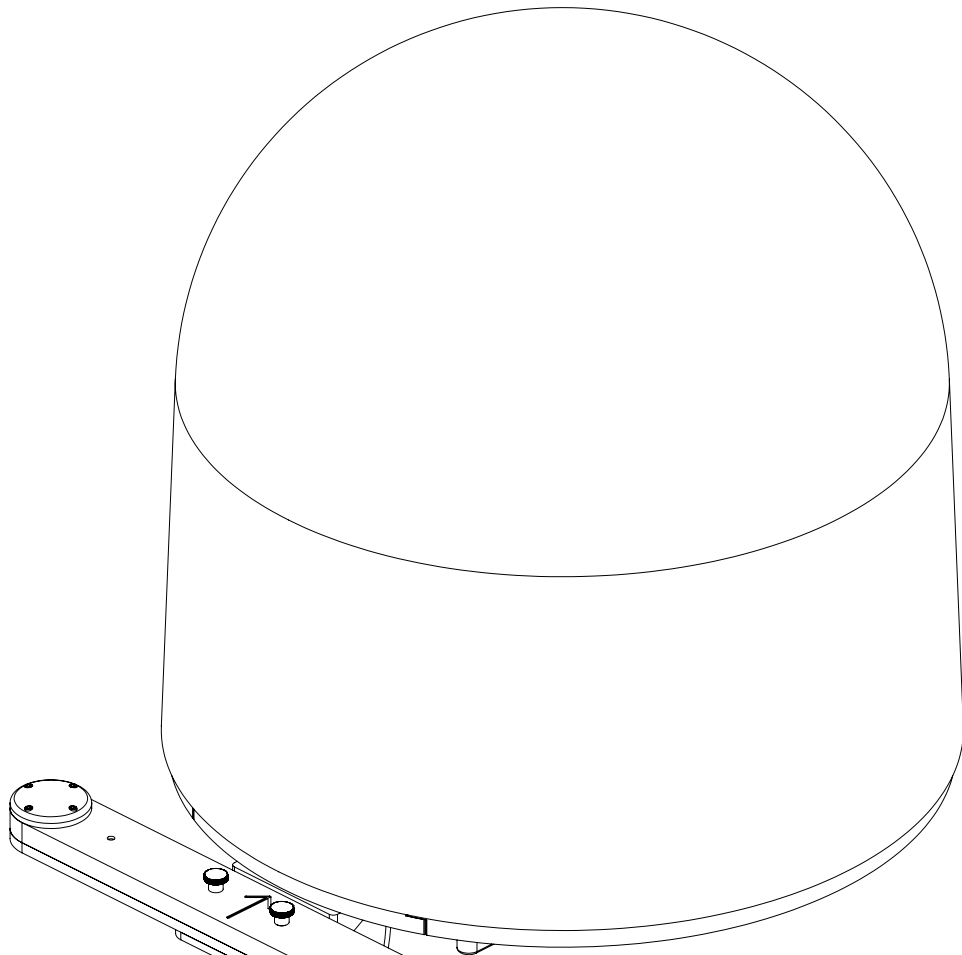
E

D

C

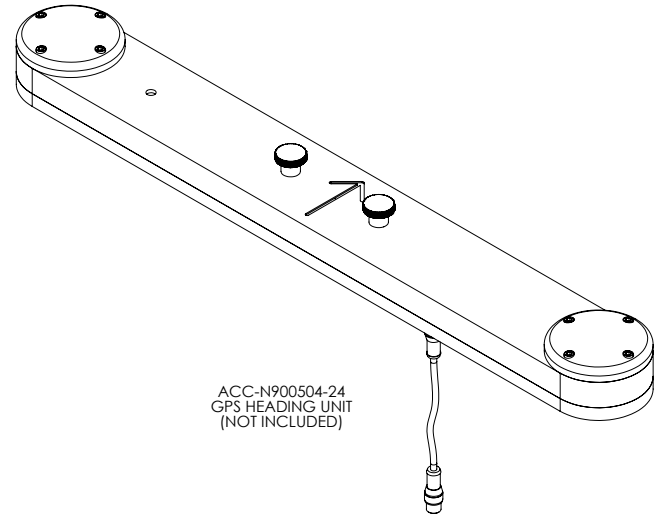
B

A

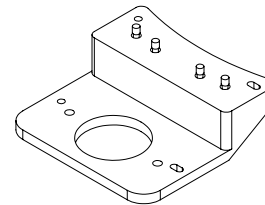


ANTB-N900854-1  
ADAPTER BRACKET ASSEMBLY, GHU TO MPS-10/MPS-55  
(NOT INCLUDED)

ACC-N900504-24  
GPS HEADING UNIT  
(NOT INCLUDED)



ACC-N900504-24  
GPS HEADING UNIT  
(NOT INCLUDED)



ANTB-N900854-1  
ADAPTER BRACKET ASSEMBLY, GHU TO MPS-10/MPS-55  
(NOT INCLUDED)

8

7

6

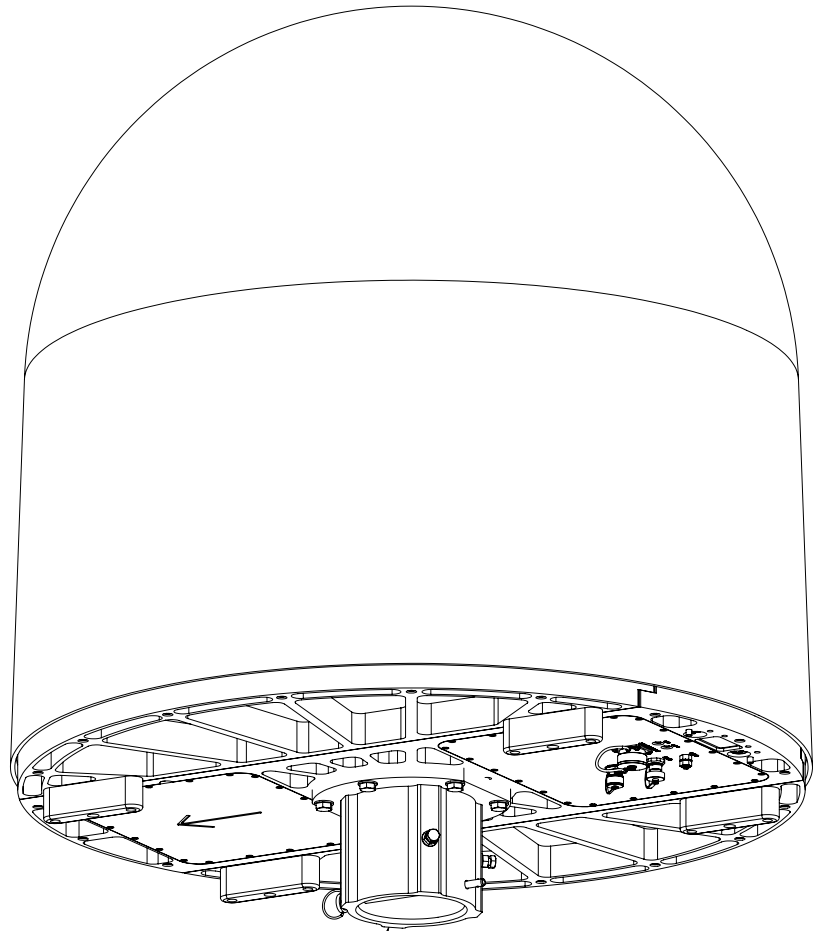
5

4

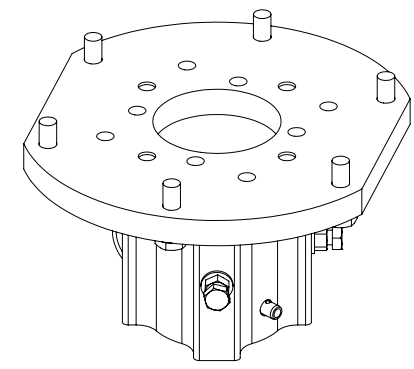
3

2

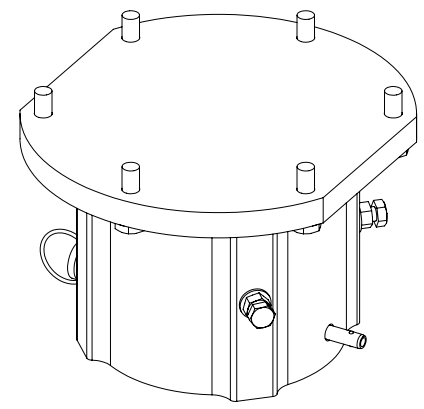
1



ACC-N900788-2.0  
 ACC-N900788-2.5  
 ACC-N900788-3.0  
 ACC-N900789-3.5  
 ACC-N900789-4.0  
 ACC-N900789-4.5 (SHOWN)  
 MPS MAST ADAPTER ASSEMBLY  
 (NOT INCLUDED)



ACC-N900788-2.0  
 ACC-N900788-2.5  
 ACC-N900788-3.0  
 MPS MAST ADAPTER ASSEMBLY  
 FOR 2.0", 2.5" & 3" OUTSIDE DIAMETER MAST  
 (NOT INCLUDED)



ACC-N900789-3.5  
 ACC-N900789-4.0  
 ACC-N900789-4.5  
 MPS MAST ADAPTER ASSEMBLY  
 FOR 3.5", 4.0" & 4.5" OUTSIDE DIAMETER MAST  
 (NOT INCLUDED)