

REV	DESCRIPTION	DATE	APPROVED
A	IR800926	2023-07-24	CLC

NOTES: UNLESS OTHERWISE SPECIFIED

- LINKALIGN-360MPS-10 DESIGNED FOR ANY TYPE OF QPAR 340mm ANTENNA IS CONFIGURABLE PER TABLE I. LINKALIGN-360MPS-10-QMS00807 CONFIGURATION SHOWN THROUGHOUT DRAWING
- USE INTERFACE CONTROL DRAWING IN CONJUNCTION WITH DATASHEETS N500231 (SL340), N200232 (DL340), N500233 (QMS00807), N500234 (QMS00567), N500235 (QMS00568), N500236 (QMS00436), N500237 (QMS00312) & N500238 (QMS00949)
- SEE SHEET 4 TABLE II, SHEET 5 AND SHEET 6 FOR AVAILABLE LINKALIGN-360MPS-10 ACCESSORY OPTIONS
- POSITIONER POWERED BY POWER OVER ETHERNET 50-57 VDC, 4 PAIR, PASSIVE (INDOOR RATED 50 VDC POWER SUPPLY INCLUDED WITH POSITIONER, NOT SHOWN IN DRAWING). STANDBY POWER DRAWS LESS THAN 10 W. MAXIMUM POWER DRAW, 60 W
- EXTERNAL CONSTRUCTION COMPRISED OF HARD COAT ANODIZED ALUMINUM WITH STAINLESS STEEL HARDWARE WITH UV STABILIZED WHITE MATTE ABS PLASTIC RADOME
- 440° (+/-220°) AZIMUTH TRAVEL WITH 25°/SEC DRIVE RATE (NO LOAD). DRIVE RATE CUSTOMIZABLE (SEE TABLE I). OPTIONAL CONTINUOUS AZIMUTH TRAVEL UTILIZING A SLIP RING AND RF ROTARY JOINT AVAILABLE. CONTACT NEXTMOVE FOR ADDITIONAL INFORMATION
- 110° (-10° TO +100°) ELEVATION TRAVEL WITH 25°/SEC DRIVE RATE (NO LOAD). DRIVE RATE CUSTOMIZABLE (SEE TABLE I). CONTACT NEXTMOVE FOR ADDITIONAL INFORMATION
- 22° TO 140°F (-30° TO 60°C) OPERATIONAL TEMPERATURE RANGE OR -40° TO -140°F (-40° TO 60°C) WITH EXTENDED TEMPERATURE RANGE OPTION (SEE TABLE I). -40° TO 158°F (-40 TO 70°C) NON-OPERATIONAL TEMPERATURE RANGE
- 0.01° FEEDBACK RESOLUTION IN ALL AXES
- 24.60" (62.5 cm) HIGH, 24.50" (62.2 cm) OUTSIDE DIAMETER OF RADOME FLANGE, 21.0" (53cm) MAX INTERNAL DIAMETER SWEEP VOLUME
- WEIGHT APPROXIMATELY 58 LBS (26 kg) WITHOUT ANTENNA, 63 lbs (29 kg) WITH QSR-340-A-152 ANTENNA
- POSITIONER MOUNTING HOLES
- OPTIONAL RADIO ADAPTER ACCESSORY MOUNTING HOLES
- CENTER OF GRAVITY 0.4" (1.0 cm) IN THE X-DIRECTION, 4.8" (12.2cm) IN THE Y-DIRECTION AND 0.5" (1.3 cm) IN THE Z-DIRECTION
- TORQUE RADOME FASTENER TO 18 IN-LBS. DO NOT OVERTIGHTEN
- STANDARD RF CABLE COMPRISED OF (1) 63" (160 cm) INTERNAL LENGTH FLEXCORE 210 (TELEDYNE STORM P/N 072-0321-1.60MTR) WITH EXTERNAL N-TYPE RF CONNECTOR, DC-18 GHz, AVERAGE POWcER HANDLING 744 W @ 1 GHz, 177 W @ 18 GHz. RF CABLE CUSTOMIZABLE (SEE SHEET 4 TABLE IV). CONTACT NEXTMOVE FOR MORE INFORMATION

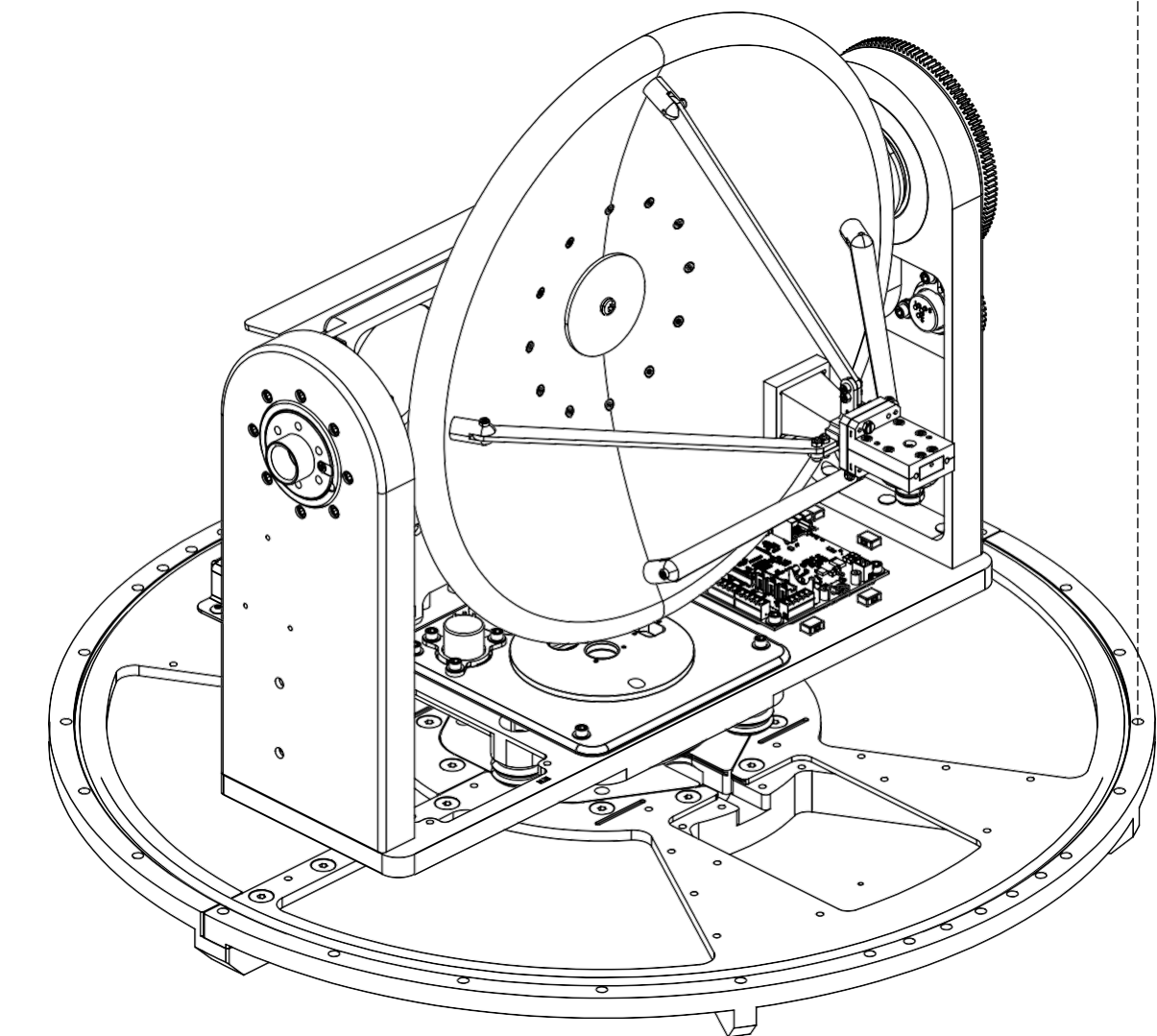
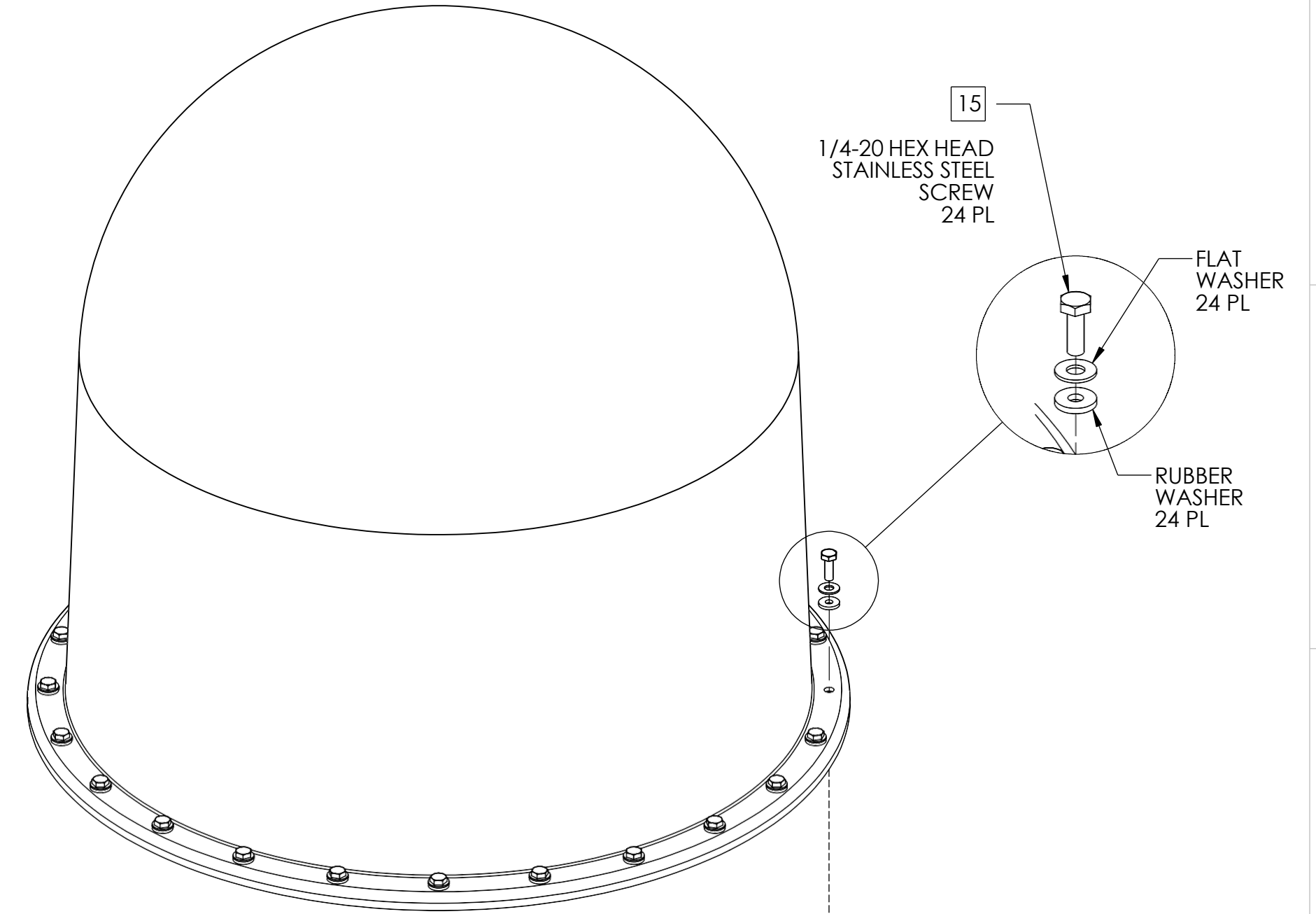
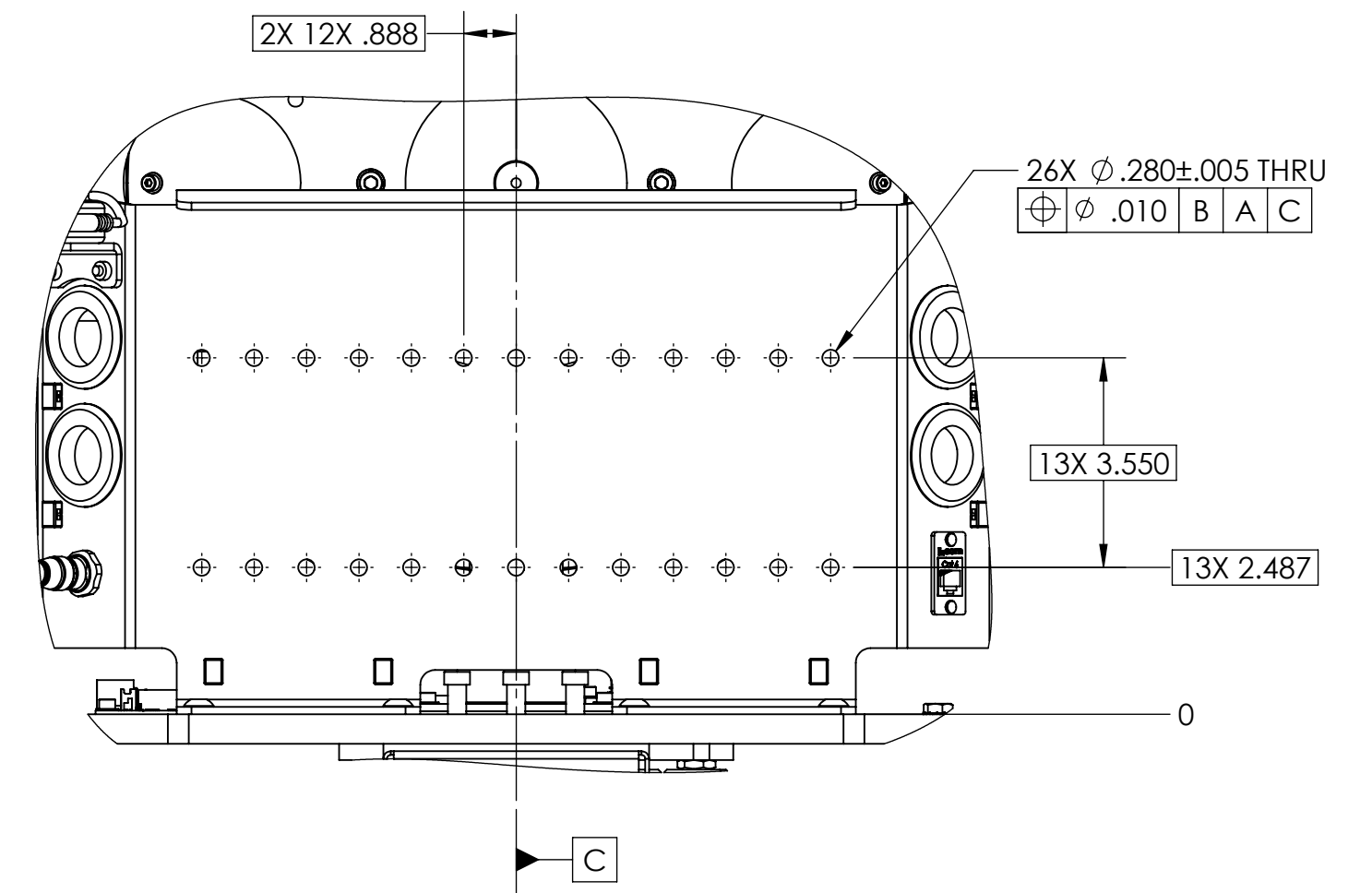
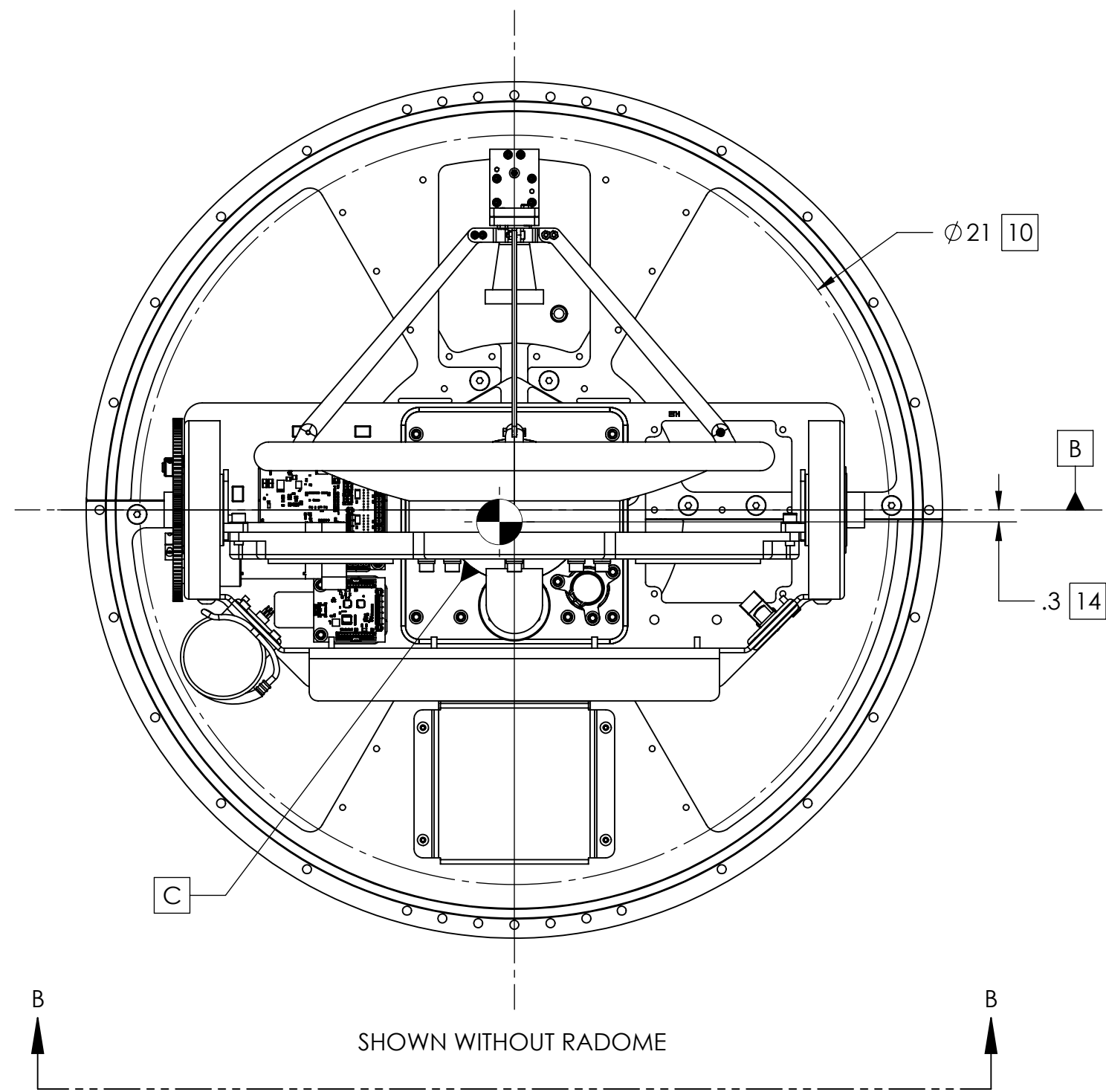


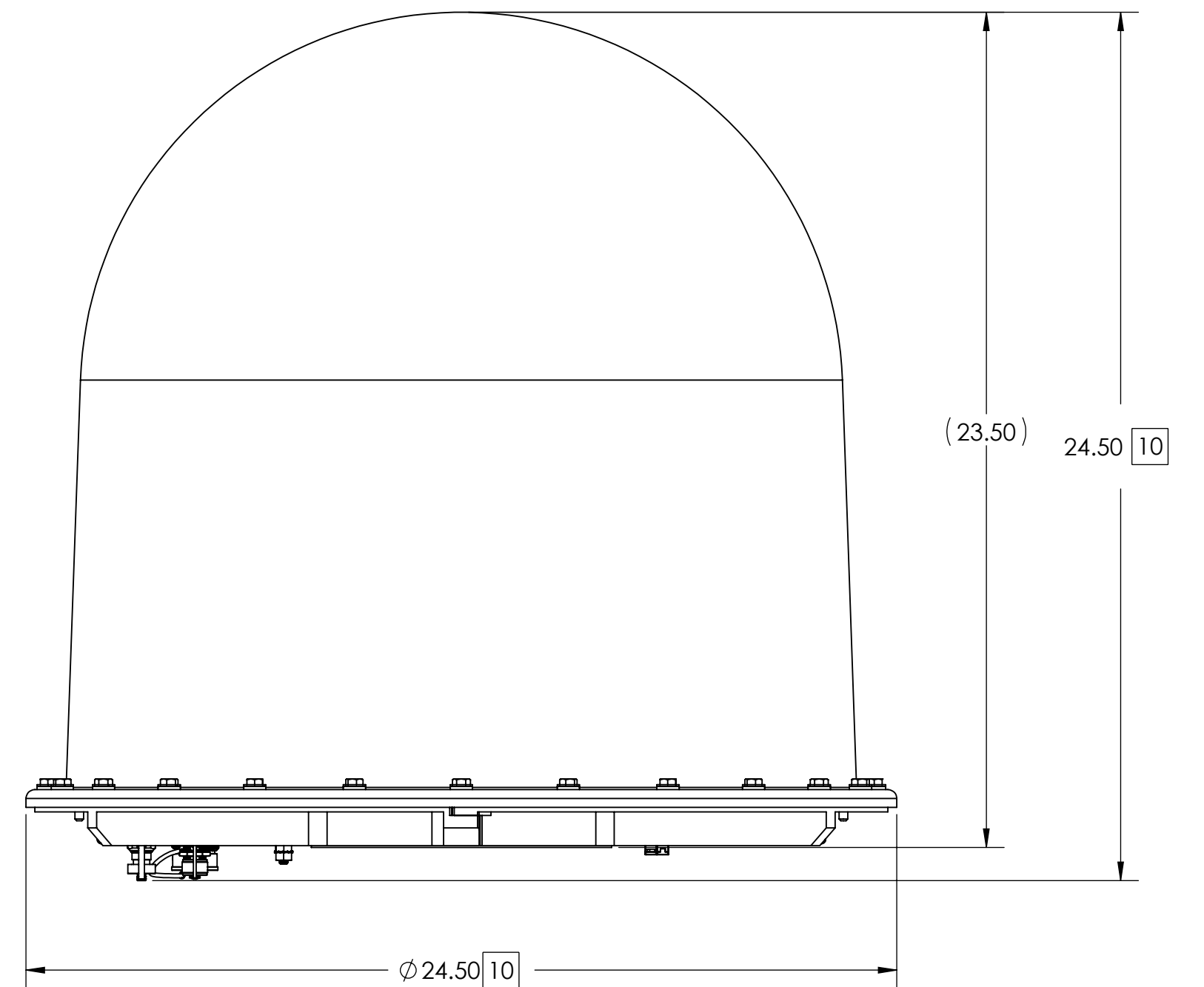
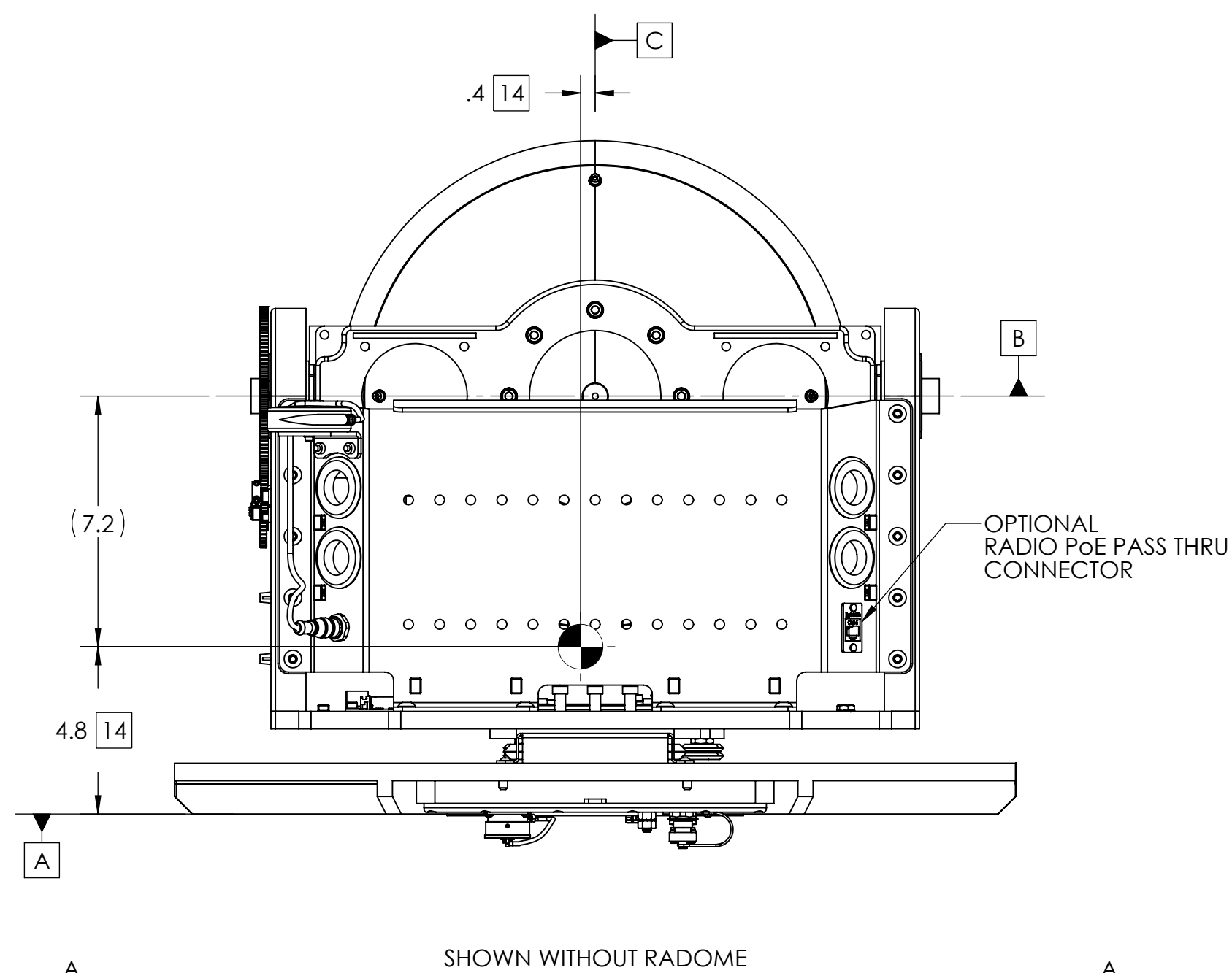
TABLE I	
BUILDING A PART NUMBER	STANDARD OPTIONS
LA-C60MPS - 10 - - - 100	<<EXAMPLE
	TWO SHIELDED ETHERNET CABLE STANDARD LENGTHS (POSITIONER AND RADIO CABLES INCLUDED)
	050 = 50 ft 100 = 100 ft 150 = 150 ft 200 = 200 ft 250 = 250 ft 300 = 300 ft XXX = Custom length in feet XXXC = Add "C" to end of cable length for unterminated mating connector
	CUSTOM CONFIGURATION
	= Standard options - leave blank GR = GHU Ready ET = Extended Temperature
	RF CABLE PASS THRU OPTIONS
	01 = RF Cable Code - See RF Pass Thru Options Table III for Code
	CONFIGURATIONS
	SL340 = Interfaces with QPAR SL 340 (Antenna Not Included) DL340 = Interfaces with QPAR DL 340 (Antenna Not Included) QMS00807 = Integrated with QPAR Antenna QMS-00807 QMS00567 = Integrated with QPAR Antenna QMS-00567 QMS00568 = Integrated with QPAR Antenna QMS-00568 QMS00436 = Integrated with QPAR Antenna QMS-00436 QMS00312 = Integrated with QPAR Antenna QMS-00312 QMS00949 = Integrated with QPAR Antenna QMS-00949
	POSITIONER DRIVE RATE AND SWEEP VOLUME
	10 = Az/EI 25°/sec, Max Internal Diameter Swept Volume = 21in 15 = Az 100°/s EI 60°/sec, Max Internal Diameter Swept Volume = 21in
	MODEL
	LA-C360MPS = LinkAlign-360MPS (+/-220° Azimuth, -10° to +90° Elevation)

SYMBOL KEY □ NOTE ○ PL ITEMS PROPRIETARY AND CONFIDENTIAL THE INFORMATION CONTAINED IN THIS DRAWING IS THE SOLE PROPERTY OF QPAR ANTENNAS USA, LLC. ANY REPRODUCTION IN PART OR AS A WHOLE WITHOUT THE WRITTEN PERMISSION OF QPAR IS PROHIBITED. QPAR ANTENNAS USA, LLC SAN DIEGO, CA 92020 www.qparusa.com	UNLESS OTHERWISE SPECIFIED: DIMENSIONS ARE IN INCHES ANGLE TO 5 DECIMALS TWO PLACE DECIMAL ±.030 THREE PLACE DECIMAL ±.010 INTERPRET DIM AND TOL PER ASME Y14.5M - 1994 THIRD ANGLE PROJECTION DO NOT SCALE DRAWING	DRAWN C. CHEYNE 2023-07-24 CHECKED S. CHEYNE 2023-07-24 ME APPR. C. CHEYNE 2023-07-24 EE APPR.	QPAR ANTENNAS USA, LLC TITLE: LINKALIGN-C360MPS-10 INTERFACE CONTROL DRAWING SIZE DWG. NO. REV C ICDN900872 A SCALE: 1:4 SHEET 1 OF 6
		PART NO. SEE TABLE I	

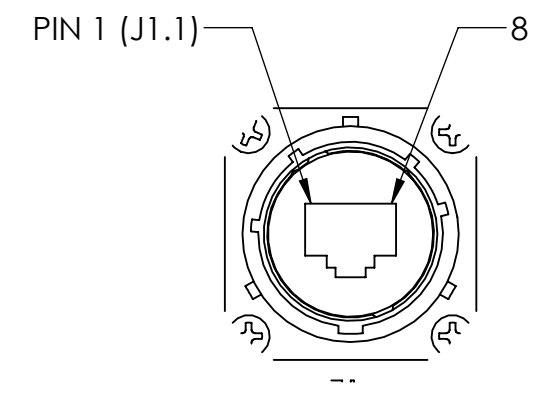
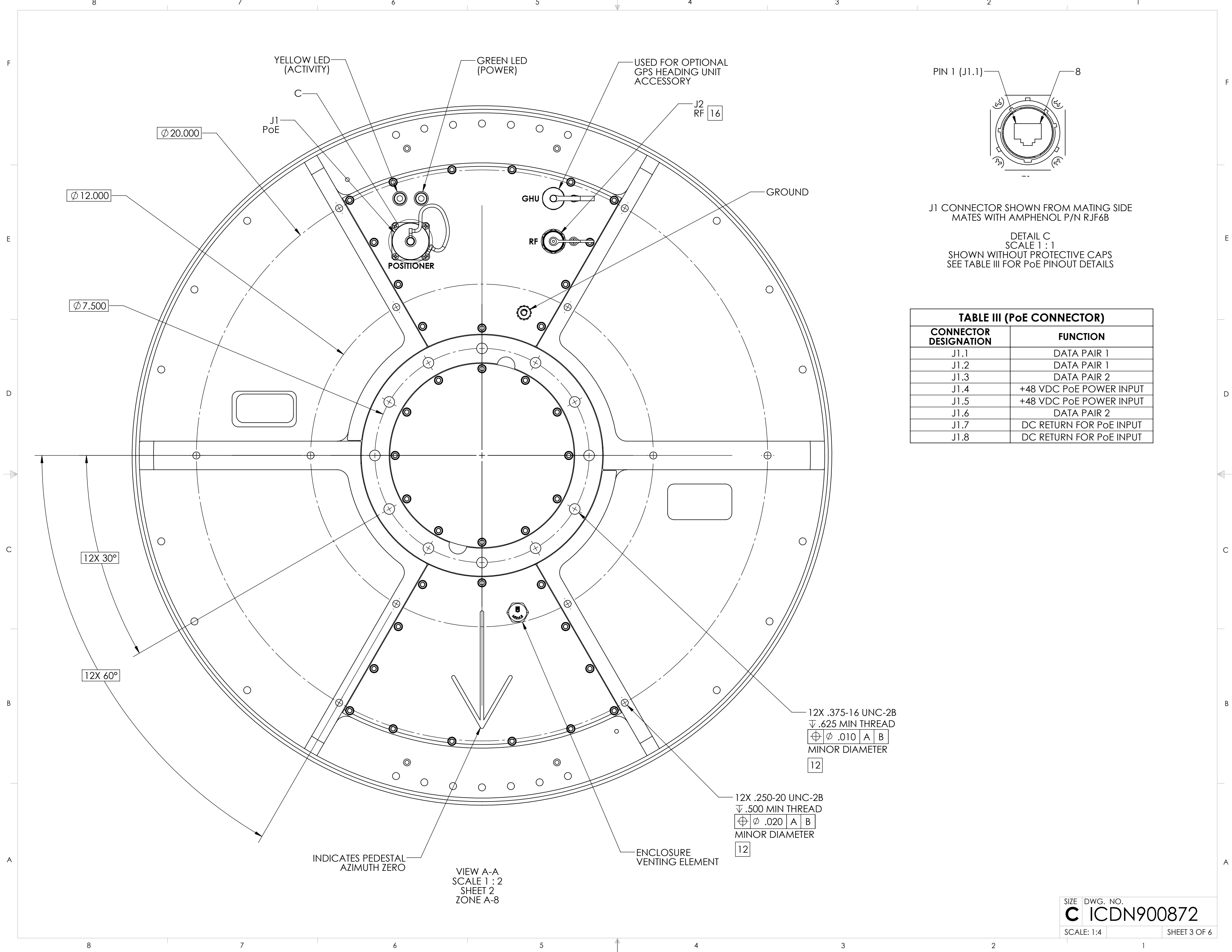


VIEW B-B
 SCALE 1 : 3
 RADIO ADAPTER BRACKET MOUNTING HOLES

13



SHEET 3
 ZONE A-5



J1 CONNECTOR SHOWN FROM MATING SIDE
 MATES WITH AMPHENOL P/N RJF6B

DETAIL C
 SCALE 1 : 1
 SHOWN WITHOUT PROTECTIVE CAPS
 SEE TABLE III FOR PoE PINOUT DETAILS

TABLE III (PoE CONNECTOR)	
CONNECTOR DESIGNATION	FUNCTION
J1.1	DATA PAIR 1
J1.2	DATA PAIR 1
J1.3	DATA PAIR 2
J1.4	+48 VDC PoE POWER INPUT
J1.5	+48 VDC PoE POWER INPUT
J1.6	DATA PAIR 2
J1.7	DC RETURN FOR PoE INPUT
J1.8	DC RETURN FOR PoE INPUT

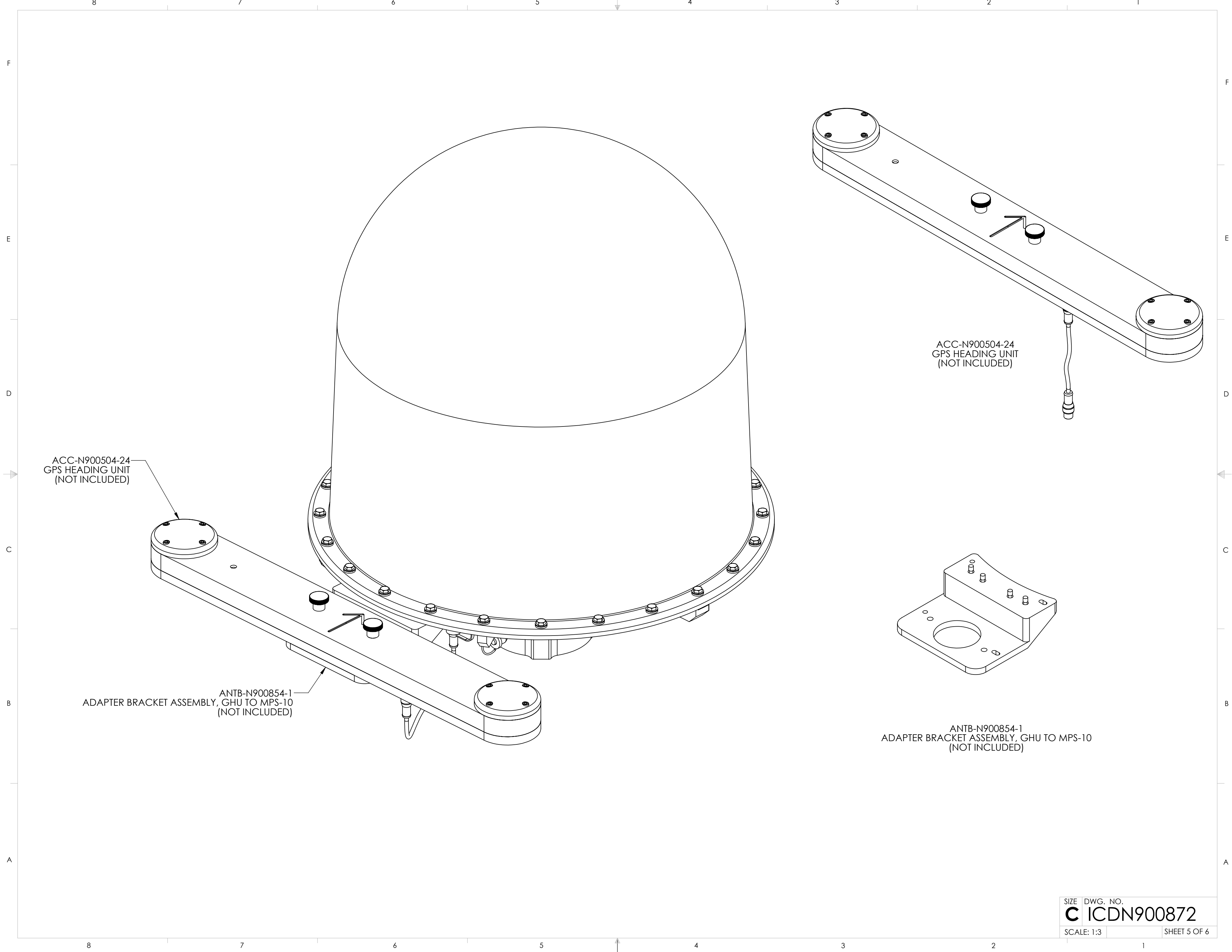
12X .375-16 UNC-2B
 ∇ .625 MIN THREAD
 ⊕ φ .010 A B
 MINOR DIAMETER
 12

12X .250-20 UNC-2B
 ∇ .500 MIN THREAD
 ⊕ φ .020 A B
 MINOR DIAMETER
 12

VIEW A-A
 SCALE 1 : 2
 SHEET 2
 ZONE A-8

TABLE II (LA-C360MPS-10 ACCESSORY OPTIONS)		
ACCESSORY DESCRIPTION	ACCESSORY PART NUMBER	ACCESSORY ICD
MPS MAST ADAPTER ASSEMBLY (AVAILABLE IN 2.0, 2.5, & 3.0 IN OD)	ACC-N900788-2.0 ACC-N900788-2.5 ACC-N900788-3.0	ICDN900788
MPS MAST ADAPTER ASSEMBLY (AVAILABLE IN 3.5, 4.0, & 4.5 IN OD)	ACC-N900789-3.5 ACC-N900789-4.0 ACC-N900789-4.5	ICDN900789
GPS HEADING UNIT	ACC-N900502-24	ICDN900502
ADAPTER BRACKET ASSEMBLY, GHU TO MPS-10	ANTB-N900854-1	ICDN900854

TABLE IV - RF CABLE OPTIONS		
RF Cable Code	RF Cable Type	Description
01	<u>RG316</u>	DC-3 GHz RF Cable Pass Thrus (RF Cable RG316) (N-Type)
02	<u>LMR-100A-UF</u>	DC-5.8 GHz (Max Input Power @ 5.8 GHz - 13W) RF Cable Pass Thru (RF Cable LMR-100A-UF) (N-Type)
03	<u>LMR-195UF</u>	DC-5.8 GHz (Max Input Power @ 5.8 GHz - 50W) RF Cable Pass Thru (RF Cable LMR-195UF) (N-Type)
04	<u>LMR-240UF</u>	DC-5.8 GHz (Max Input Power @ 5.8 GHz - 80W) RF Cable Pass Thru (RF Cable LMR-240UF) (N-Type)
05	<u>FlexCore 210</u>	DC-18 GHz RF Cable Pass Thru (RF Cable FlexCore 210) (N-Type)
06	<u>PE-P160LL or LL160</u>	DC-18 GHz RF Cable Pass Thru (RF Cable Low Loss 160) (N-Type)
07	<u>UFA147B</u>	DC-11 GHz RF Pass Thru (RF Cable UFA147A) (N-Type)
08	<u>LMR-100A-UF</u>	DC-5.8 GHz SMA RF Cable Pass Thru (RF Cable LMR-100A-UF) (SMA Type)
09	<u>FlexCore 210</u>	DC-18 GHz RF Cable Pass Thru (RF Cable FlexCore 210) (2.92 Type)
10	<u>T-Flex 405</u>	DC-40 GHz RF Cable Pass Thru (RF Cable T-Flex 405) (2.92 Type)
11	<u>RG179</u>	DC-3 GHz RF Cable Pass Thrus (RF Cable RF179) (BNC Type)
12	<u>UFB205A</u>	DC-18 GHz RF Pass Thru (RF Cable UFB205A) (N-Type)
13	<u>UFA210B</u>	DC-18 GHz RF Pass Thru (RF Cable UFA210B) (N-Type)
14	<u>True Blue 290</u>	DC-18 GHz RF Pass Thru (RF Cable True Blue 290) (N-Type)
15	<u>PE-P142LL or LL142</u>	DC-18 GHz RF Pass Thru (RF Cable Low Loss 142) (N-Type)

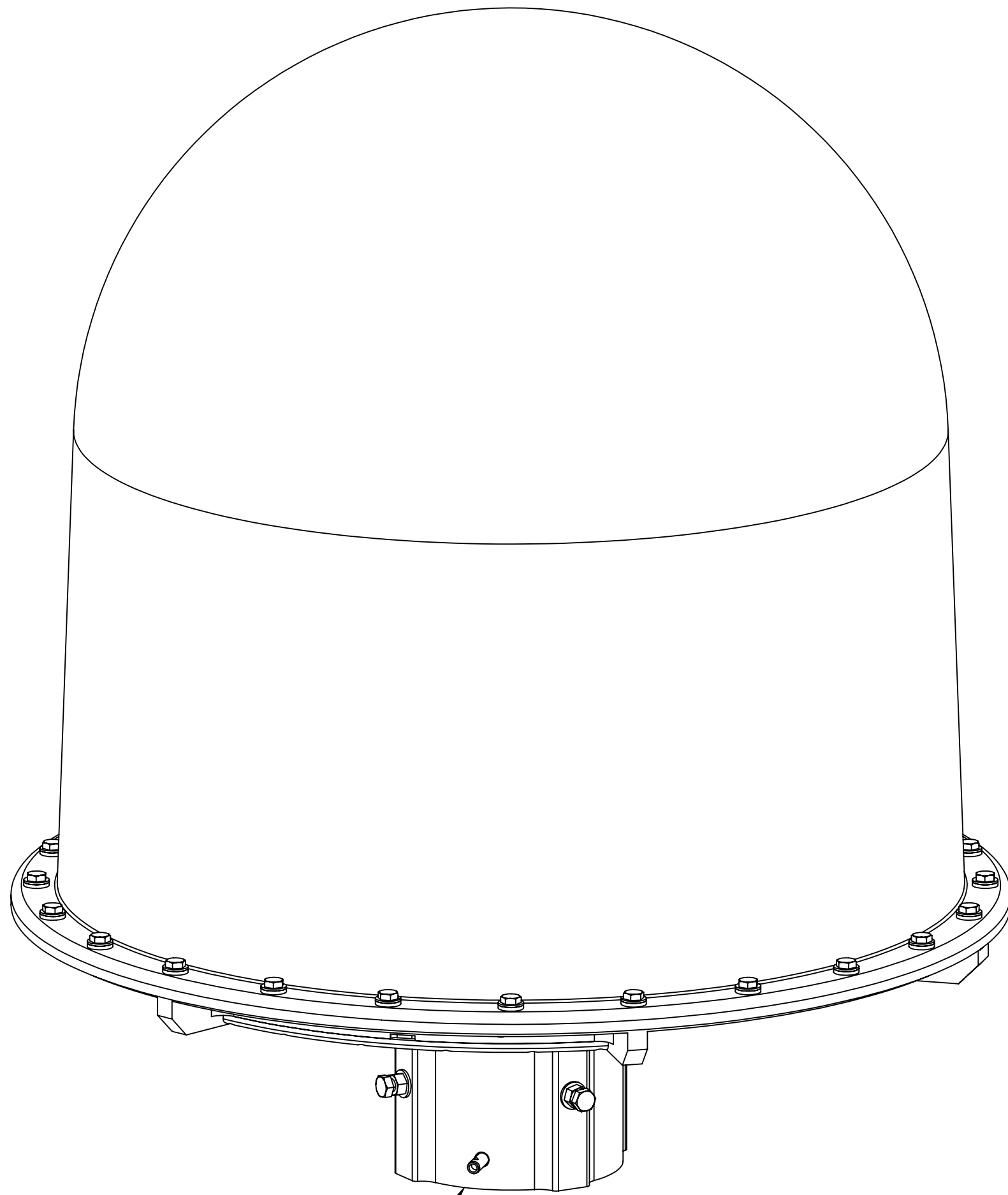


ACC-N900504-24
GPS HEADING UNIT
(NOT INCLUDED)

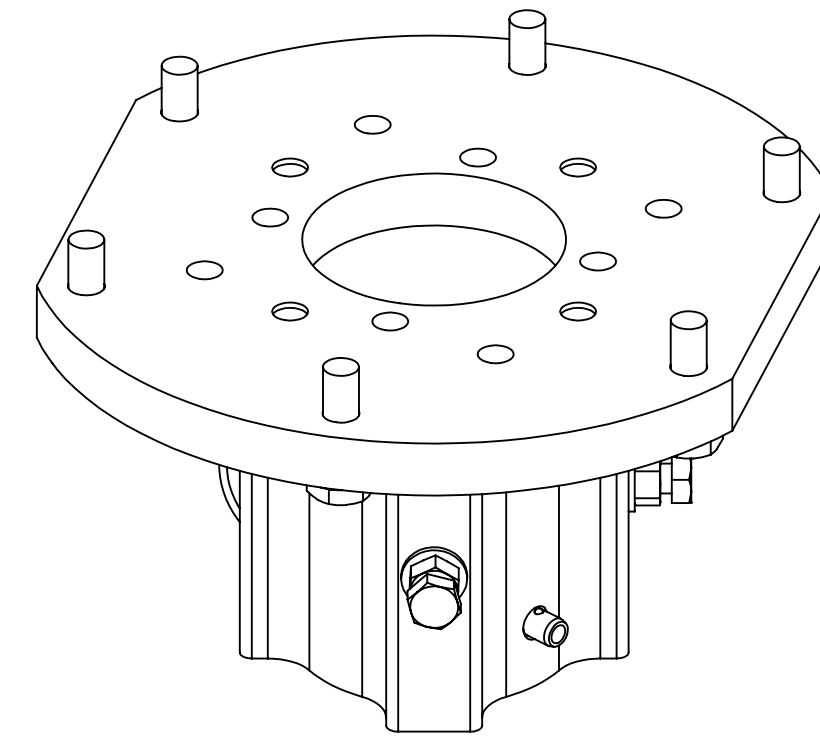
ANT-B-N900854-1
ADAPTER BRACKET ASSEMBLY, GHU TO MPS-10
(NOT INCLUDED)

ACC-N900504-24
GPS HEADING UNIT
(NOT INCLUDED)

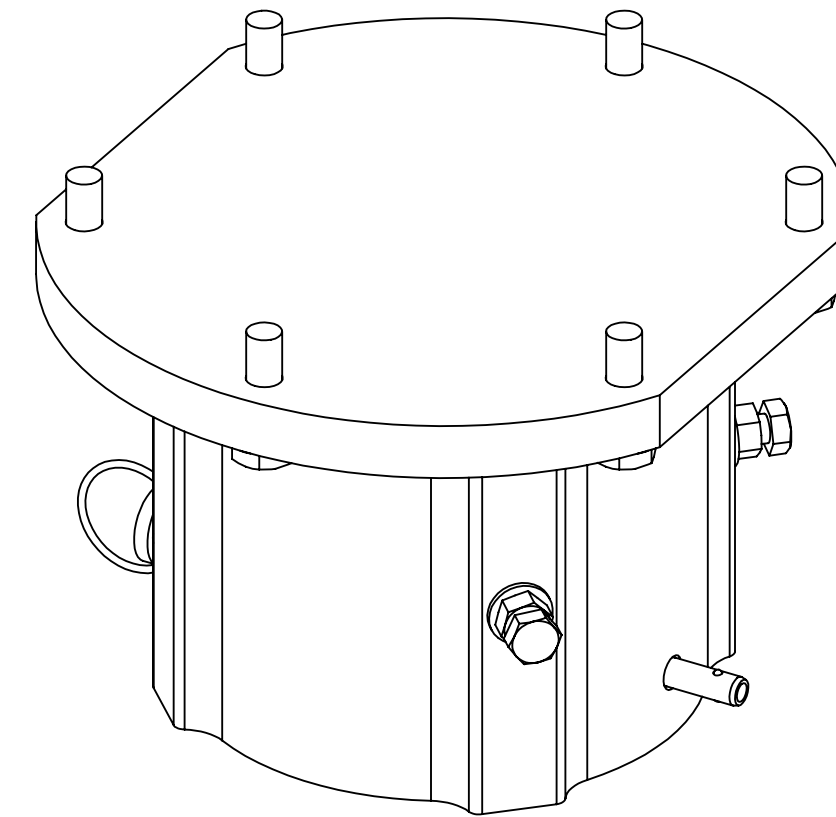
ANT-B-N900854-1
ADAPTER BRACKET ASSEMBLY, GHU TO MPS-10
(NOT INCLUDED)



ACC-N900788-2.0
 ACC-N900788-2.5
 ACC-N900788-3.0
 ACC-N900789-3.5
 ACC-N900789-4.0
 ACC-N900789-4.5
 MPS MAST ADAPTER ASSEMBLY
 (NOT INCLUDED)



ACC-N900788-2.0
 ACC-N900788-2.5
 ACC-N900788-3.0
 MPS MAST ADAPTER ASSEMBLY
 FOR 2.0", 2.5" & 3" OUTSIDE DIAMETER MAST
 (NOT INCLUDED)



ACC-N900789-3.5
 ACC-N900789-4.0
 ACC-N900789-4.5
 MPS MAST ADAPTER ASSEMBLY
 FOR 3.5", 4.0" & 4.5" OUTSIDE DIAMETER MAST
 (NOT INCLUDED)