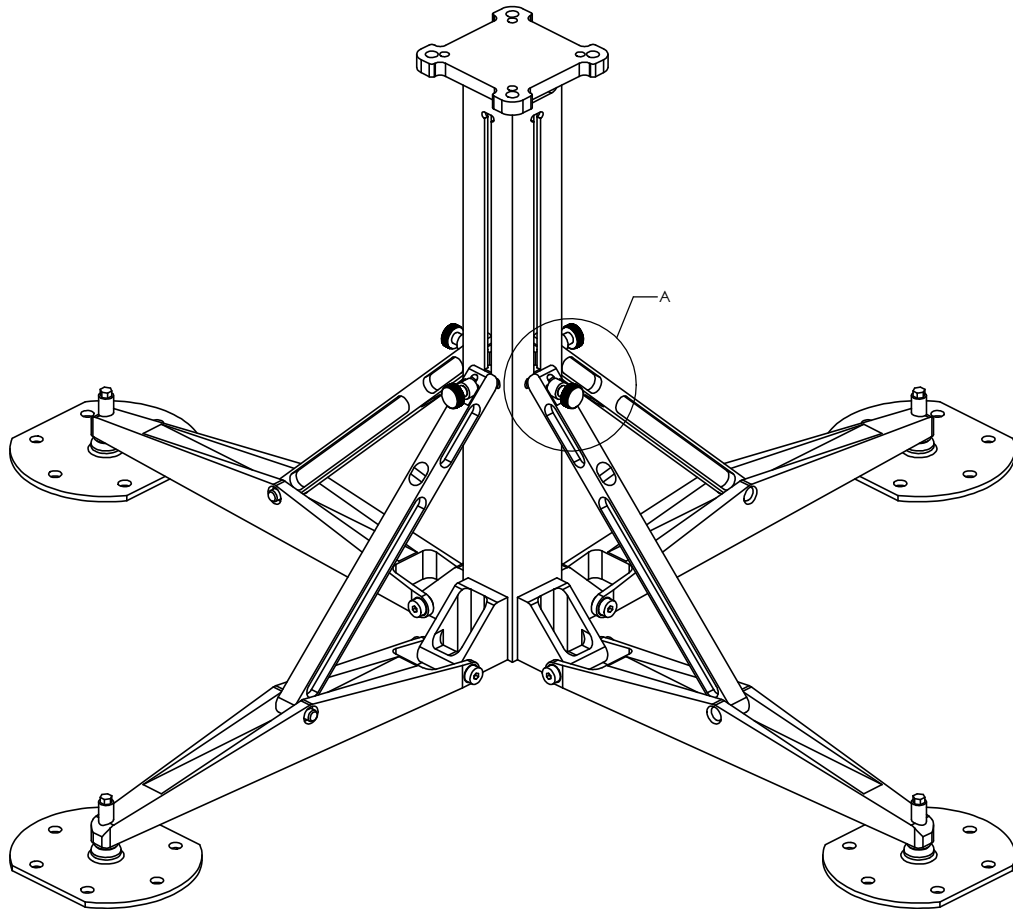


NOTES: UNLESS OTHERWISE SPECIFIED

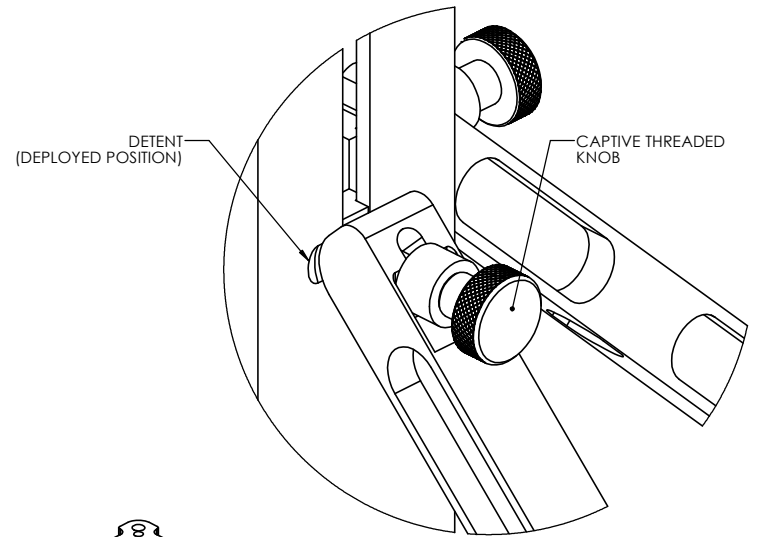
- 1. QUADPOD INTERFACES DIRECTLY WITH QPARUSA POSITIONERS THAT CONTAIN TYPE-4.000, TYPE-4.000-P, TYPE-4.750 AND TYPE-4.70-P MOUNTING INTERFACE
- 2. HARD COAT ANODIZE ALUMINUM CONSTRUCTION WITH STAINLESS STEEL HARDWARE
- 3. WEIGHT APPROXIMATELY 33 LBS (15.0 kg). DOES NOT INCLUDE POSITIONER MOUNTING HARDWARE (NOT SHOWN)
- 4. PAYLOAD NOT TO EXCEED 500 LB (226.8 kg)
- 5. CENTER OF GRAVITY OF POSITIONER AND PAYLOAD MUST NOT EXCEED DIAMETER DIMENSION SHOWN TO PREVENT TIPPING. STAKE DOWN OR USE SAND BAGS ON TRIPOD LEGS TO ENSURE STABILITY

- 6. INDICATED DIMENSION SHOWS DEPLOYED HEIGHT OF QUADPOD WITH THREADED LEVELING LEGS AT MINIMUM SETTING
- 7. THREADED LEVELING LEGS HAVE APPROXIMATELY 1 INCH OF ADJUSTABILITY AND CAN ADJUSTED WITH USE OF A 7/16 INCH WRENCH OR SOCKET
- 9. WHEN IN THE DEPLOYED ORIENTATION, ENSURE CAPTIVE THREADED HANDLES ARE TIGHTENED SUFFICIENTLY AND ANGLED STRUTS ARE IN DETENTED POSITION SHOWN
- 10. POSITIONER HARDWARE MOUNTING KITS ARE INCLUDED (NOT SHOWN)

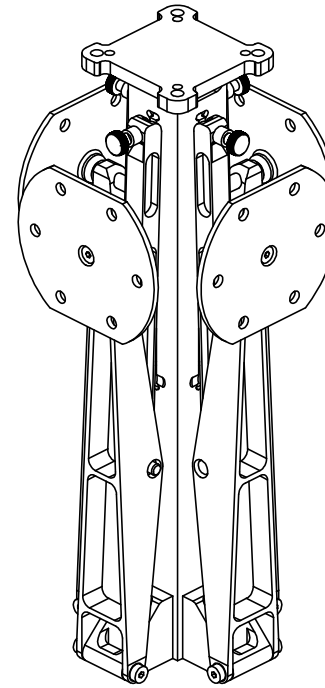
REV	DESCRIPTION	DATE	APPROVED
B	CN601232	2023-04-03	SRC



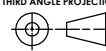
DEPLOYED ORIENTATION



DETAIL A  
SCALE 1 : 1  
4 PLACES  
9

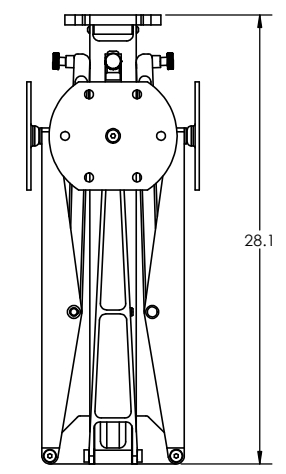
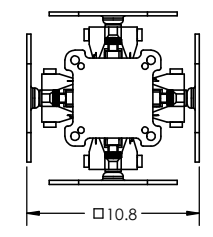
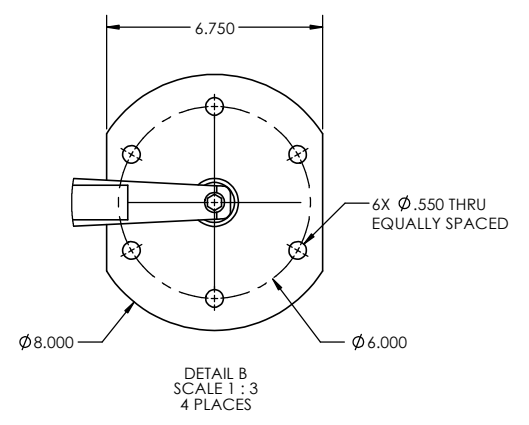
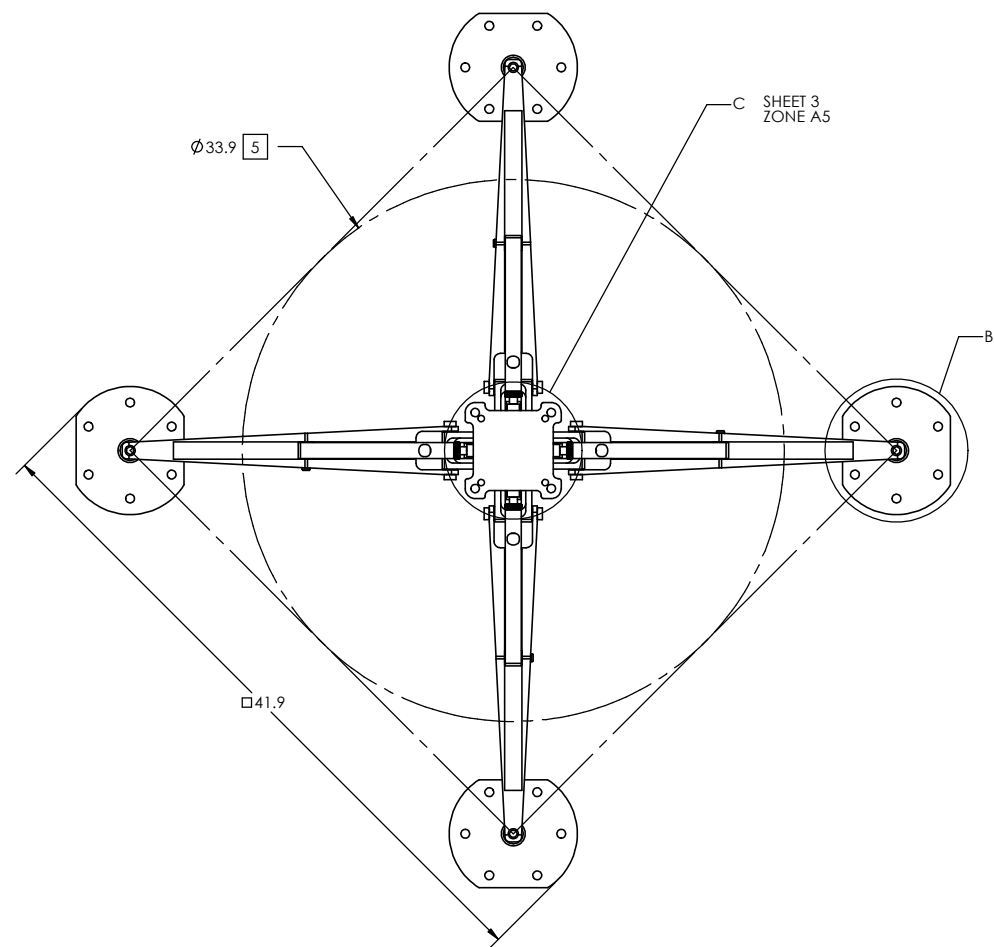


STOWED ORIENTATION

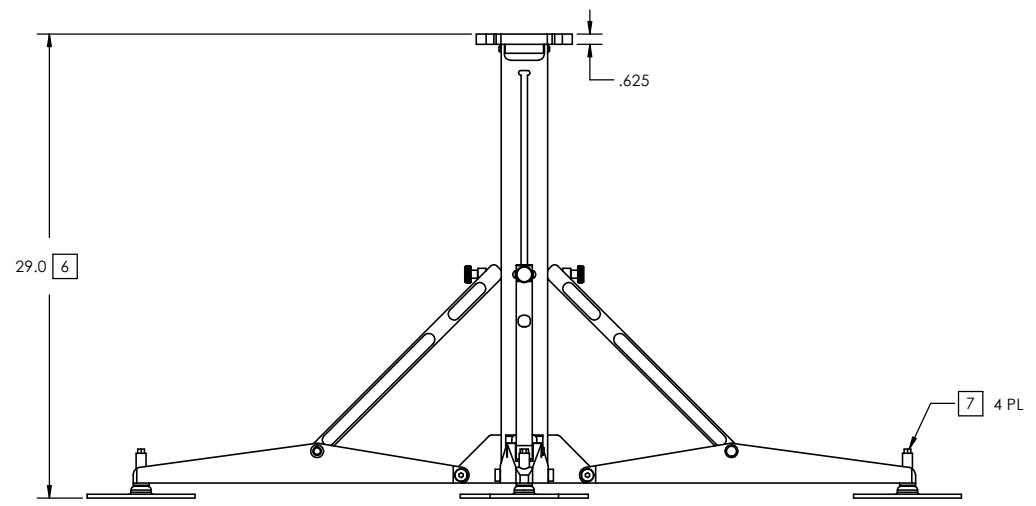
<b>SYMBOL KEY</b> <input type="checkbox"/> NOTE <input type="checkbox"/> PL ITEMS	<b>UNLESS OTHERWISE SPECIFIED:</b> DIMENSIONS ARE IN INCHES TOLERANCES: ANGLE ± 0.05 DEGREES TWO PLACE DECIMAL ± 0.00 THREE PLACE DECIMAL ± 0.010 INTERPRET DIM AND TOL PER ASME Y14.5M - 1994	DRAWN	S. CHEYNE	2023-01-30	<b>Q-PAR Antennas USA, LLC</b>  <b>TITLE:</b> INTERFACE CONTROL DRAWING, HEAVY DUTY QUADPOD		
		CHECKED	C. CHEYNE	2023-01-30			
<b>PROPRIETARY AND CONFIDENTIAL</b> THE INFORMATION CONTAINED IN THIS DRAWING IS THE SOLE PROPERTY OF Q-PAR Antennas USA, LLC. ANY REPRODUCTION IN PART OR AS A WHOLE WITHOUT THE WRITTEN PERMISSION OF Q-PAR Antennas USA, LLC IS PROHIBITED.	<b>THIRD ANGLE PROJECTION</b>  DO NOT SCALE DRAWING	PART NO.	ACC-N901369-1		SIZE	DWG. NO.	REV
		SCALE: 1:4	C		ICDN901369	B	SHEET 1 OF 3

8 7 6 5 4 3 2 1

F  
E  
D  
C  
B  
A

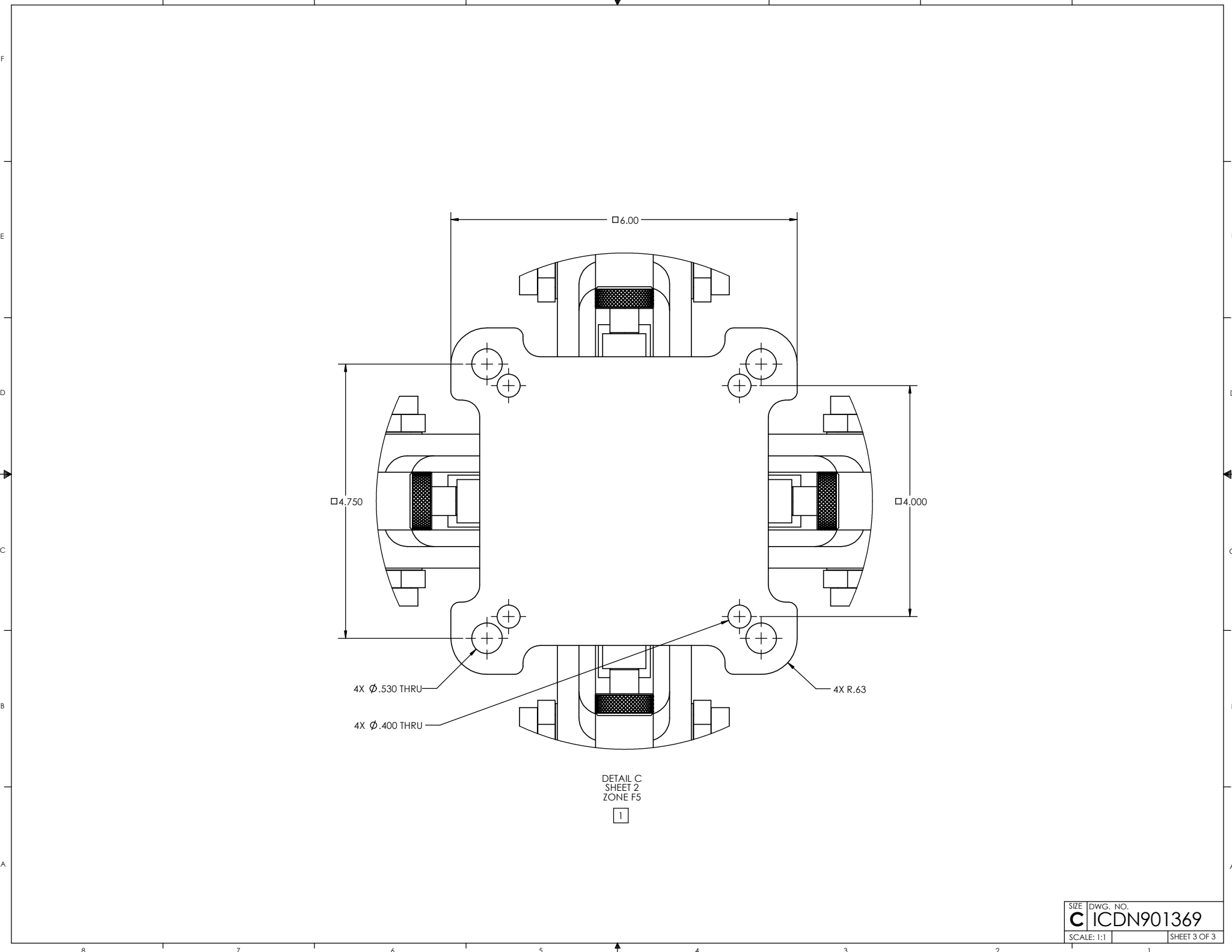


STOWED ORIENTATION



DEPLOYED ORIENTATION

8 7 6 5 4 3 2 1



DETAIL C  
SHEET 2  
ZONE F5  
1