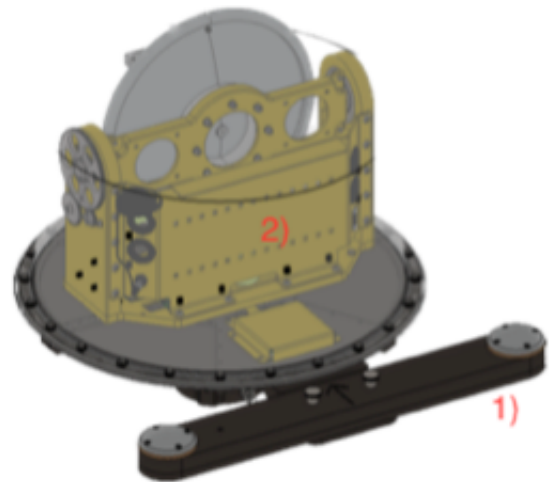


“LOW COST” Radome enclosed PoE Positioner Systems for 2-40GHz STEATITE Reflector Antennas

Designed for use with 340mm and 600mm STEATITE reflector antennas

- The 360MPS antenna positioner is a radome enclosed system (IP66 with the radome installed) which can be fitted with any type of 340mm or 600mm Steatite reflector antenna.
- The positioner has an embedded controller with a built in GPS and compass to obtain heading and location.
- An optional GPS Heading unit is also available to increase the pointing accuracy. (“Bar across” shown at the bottom part of positioner pic below 1))
- A built in Gyro/Accelerometer is also available for stabilized pointing or to remove static pitch and roll.
- The positioner can move +/- 220° (Total of 440 deg) in Azimuth and 0-90° in Elevation.
- An optional Rotary Joint and slip ring is available for continuous 360° rotation if needed which can be added to non RJ version at a later point.
- The positioner is controlled and powered over Ethernet using Power over Ethernet (PoE) technology.
- The embedded controller has a web based user interface that provides a target database for LAT/Long/Altitude or GEO based pointing.
- The software also offers list track pointing where an operator can preload a list of points to move to over time.
- Scanning and peaking is also available as well as a map that provides visual indication to the operator of where the antenna is currently located and pointing.
- A remote software interface is also available if the operator wishes to tie the positioner into a larger control system.
- Depending on size and weight of RF hardware you use, such might be able to be bolted to the back side of the positioner plate underneath the enclosed radome 2)



Q-PAR Antennas USA, LLC
11231 Fuerte Dr.
El Cajon, CA 92020

sales@qparusa.com / www.qparusa.com
702-208-9973 / eFax: 702-208-9984

MPS models with Azimuth limits and cable wrap

QLA-360MPS-10-xxx for 340mm Reflector Antenna

Description - LinkAlign-360MPS-15ET with 25°/s Azimuth Drive Rate (+/-220°), 25°/s Elevation Drive Rate, Antenna Positioning System Interfaces with 340mm Reflector Antenna

Price

1-9 pcs \$17,995 ea.



QLA-360MPS-15ET-xxx for 340mm Reflector Antenna

Description - LinkAlign-360MPS-15ET with 100°/s Azimuth Drive Rate (+/-220°), 60°/s Elevation Drive Rate, Antenna Positioning System Interfaces with 340mm Reflector Antenna

Price

1-9 pcs \$20,773 ea.

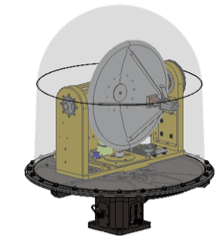


QLA-C360MPS-10-xxx for 340mm Reflector Antenna

Description - LinkAlign-C360MPS-15ET Continuous Azimuth with 25°/s Drive Rate, 25°/s Elevation Drive Rate, Antenna Positioning System Interfaces with 340mm Reflector Antenna

Price

1-9 pcs \$23,322 ea.

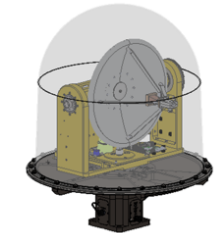


QLA-C360MPS-15ET-xxx for 340mm Reflector Antenna

Description - LinkAlign-C360MPS-15ET Continuous Azimuth with 100°/s Drive Rate, 60°/s Elevation Drive Rate, Antenna Positioning System Interfaces with 340mm Reflector Antenna

Price

1-9 pcs \$26,100 ea.



QLA-360MPS-55-xxx for 600mm Reflector Antenna

Description - Azimuth ±220°, Velocity: 100°/s Drive Rate, Elevation 110° (- 10° to +100°), 60°/s Elevation Drive Rate (Antenna not incl.)

Price

1-9 pcs \$35,948 ea.



Lead Times: Terms: 8-12 weeks ARO **FOB:** Hollis, NH

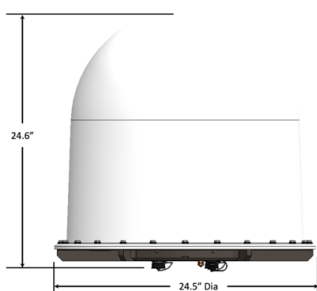
NO antenna included with any of the above prices

Prices are for general reference only, please request a quote from sales@qparusa.com for up-to-date price verification

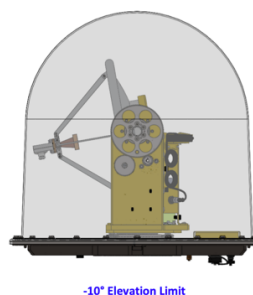
sales@qparusa.com / www.qparusa.com / 702-208-9973 / eFax: 702-208-9984

QLA-C360MPS-10-xxx for 340mm Reflector Antennas

Envelope Rear View

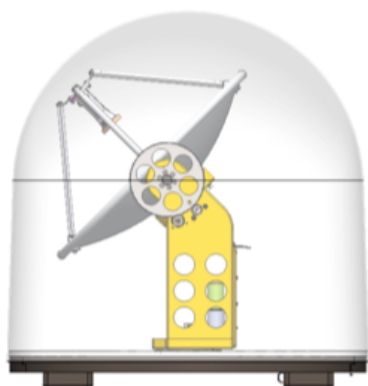


Envelope Side View

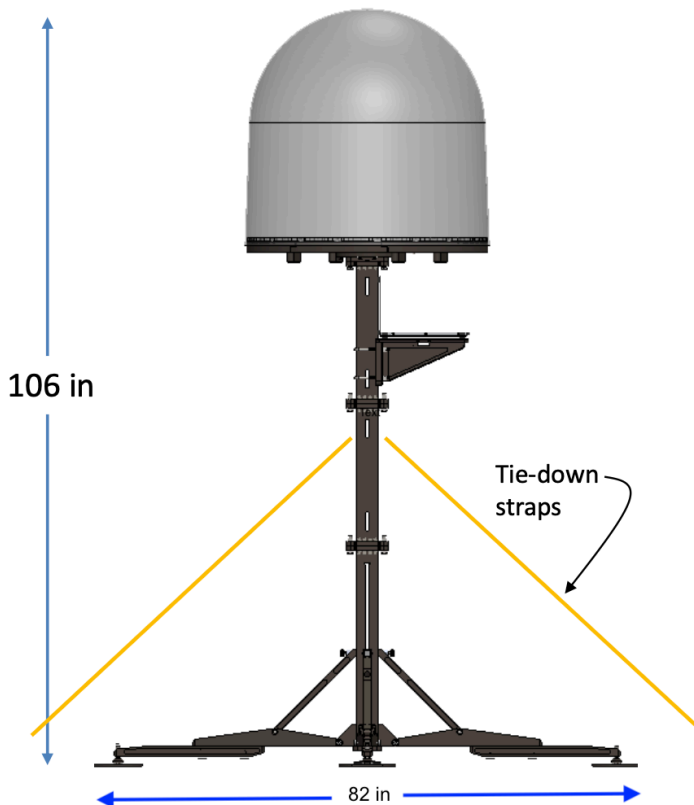


QLA-360MPS-55-xxx for 600mm Reflector Antennas

Generation 2 Radome Design



Gen 2 Quad Pod stand



Weight: 135 lbs

Envelope size: 35" dia x 36" tall

COTS and Custom Intelligent Positioning Solutions







Q-PAR Link Align Series Antenna Positioners

	360RPT Full Azimuth and Limited Elevation Control		360FER Full Azimuth and Limited Elevation Control		60EBP Full Azimuth and Elevation for E band Antennas
	360MPT Top Mounted Payload, Full Azimuth and Elevation Control		360EER Full Azimuth and Limited Elevation Control		xxLPT Limited Azimuth and Elevation Control
	360AZR Azimuth Only Control		C360MPS Continuous Motion Maritime Positioning System		360VPR Auto Acquisition Antenna Positioner with Optional Encoders

Peripheral Devices

	GPS Heading Unit – Standard Compatible With: 60EBP, 360FER, 360RPT Series		GPS Heading Unit – EBP Series Compatible With: 60EBP series positioners
---	--	--	--

Antenna Positioner Tripods / Quadpods

	Lightweight Folding Tripod Compatible With: All AZR, EER, RPT, and LinkaSat Series along with FER-10 thru -30 VPR-10 thru -20 & MPT-10 thru -20 with mast adapter		Lightweight Tripod Compatible With: All AZR, EER, RPT, and LinkaSat Series along with FER-10 thru -30 VPR-10 thru -20 & MPT-10 thru -20 with mast adapter		Lightweight Quadpod Compatible With: All AZR, EER, RPT, and LinkaSat Series along with FER-10 thru -30 VPR-10 thru -30 & MPT-10 thru -30 with mast adapter
	Heavy Duty Tripod Compatible With: All AZR, EER, RPT, and LinkaSat Series along with FER-10 thru -30 VPR-10 thru -30 & MPT-10 thru -30 with mast adapter		Heavy Duty Quadpod Compatible With: VPR Series, MPT-20 thru -40 and FER-55		Extended Heavy Duty Quadpod Compatible With: VPR Series, MPT-20 thru -40 and FER-55