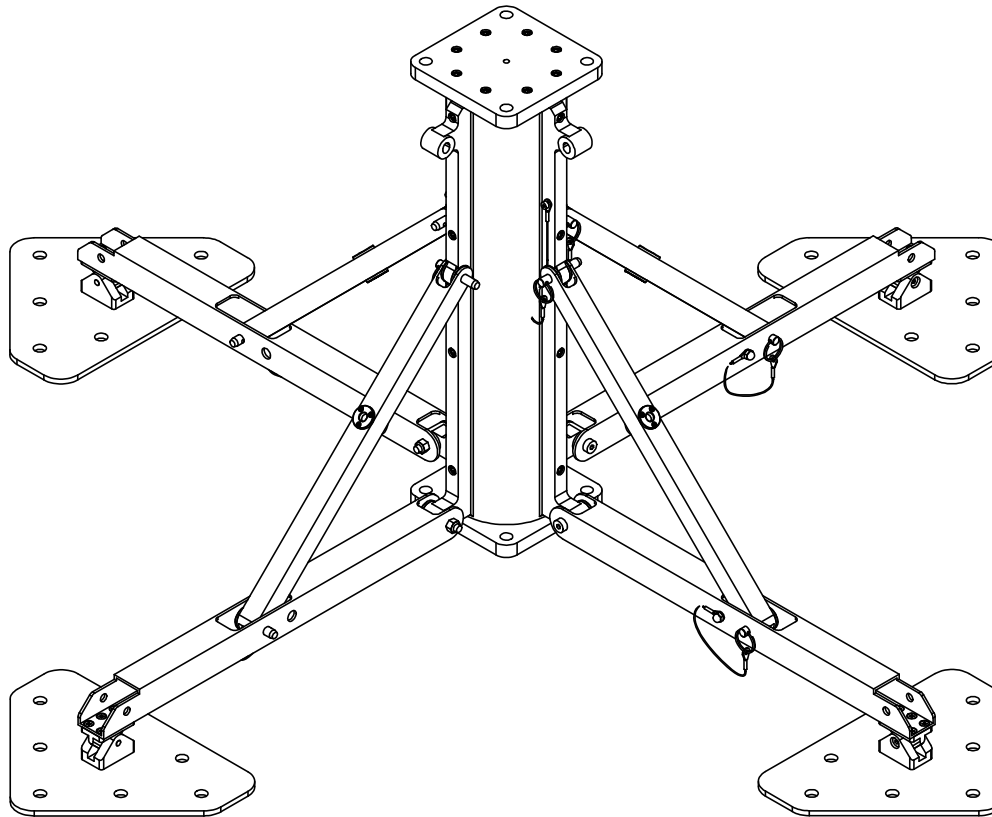


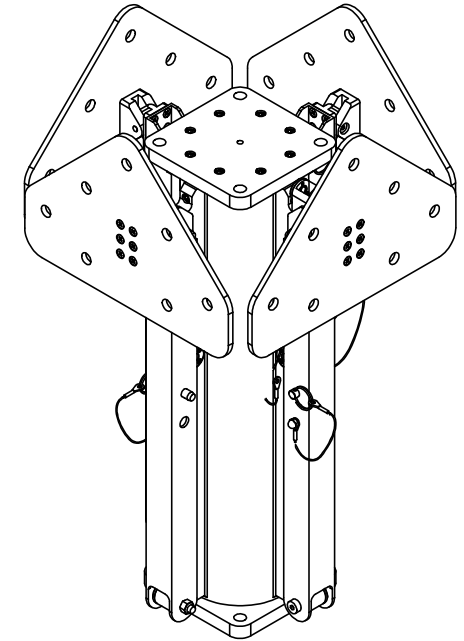
REV	DESCRIPTION	DATE	APPROVED
A	IR800522	2019-01-14	CLC

NOTES: UNLESS OTHERWISE SPECIFIED

1. TRIPOD INTERFACES DIRECTLY WITH QPAR LINKALIGN-360MPT-40 POSITIONER. 1/2-13 GRADE 8 FASTENERS, WASHERS, AND NUTS INCLUDED (NOT SHOWN ON DRAWING)
2. HARD COAT ANODIZE ALUMINUM CONSTRUCTION WITH STAINLESS STEEL HARDWARE
3. WEIGHT APPROXIMATELY 41 LBS
4. MAXIMUM PAYLOAD OF 400 LBS, INCLUDING POSITIONER
5. CENTER OF GRAVITY OF POSITIONER AND PAYLOAD MUST NOT EXCEED DIAMETER DIMENSION SHOWN TO PREVENT TIPPING. STAKE DOWN OR USE SAND BAGS ON TRIPOD LEGS TO ENSURE STABILITY

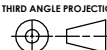


DEPLOYED ORIENTATION



STOWED ORIENTATION

PART NUMBER	DEPLOYED HEIGHT (IN)	STOWED LENGTH (IN)
ACC-N900577-24	24 ± 0.5	26 ± 0.5
ACC-N900577-29	29 ± 0.5	29 ± 0.5

SYMBOL KEY <input type="checkbox"/> NOTE <input type="checkbox"/> PL ITEMS <small>THE INFORMATION CONTAINED IN THIS DRAWING IS THE SOLE PROPERTY OF QPAR USA. ANY REPRODUCTION IN PART OR AS A WHOLE WITHOUT THE WRITTEN PERMISSION OF QPAR ANTENNAS USA IS PROHIBITED.</small> <small>QPAR ANTENNAS USA, LLC LAS VEGAS, NV 89121 www.qparusa.com</small>	UNLESS OTHERWISE SPECIFIED: <small>DIMENSIONS ARE IN INCHES</small> <small>TOLERANCES:</small> <small>ANGLE ± 0.1 DEGREES</small> <small>TWO PLACE DECIMAL ± 0.030</small> <small>THREE PLACE DECIMAL ± 0.010</small> <small>INTERPRET DIM AND TOL PER ASME Y14.5M - 1994</small>	<small>DRAWN</small> C. CHEYNE 2019-01-14 <small>CHECKED</small> S. CHEYNE 2019-01-14 <small>ME APPR.</small> S. CHEYNE 2019-01-14 <small>EE APPR.</small>	<small>QPAR ANTENNAS USA, LLC</small> TITLE: INTERFACE CONTROL DRAWING, QUADPOD, MPT-40
	THIRD ANGLE PROJECTION  <small>DO NOT SCALE DRAWING</small>	PART NO. SEE TABLE	<small>SIZE</small> DWG. NO. C ICDN900577

