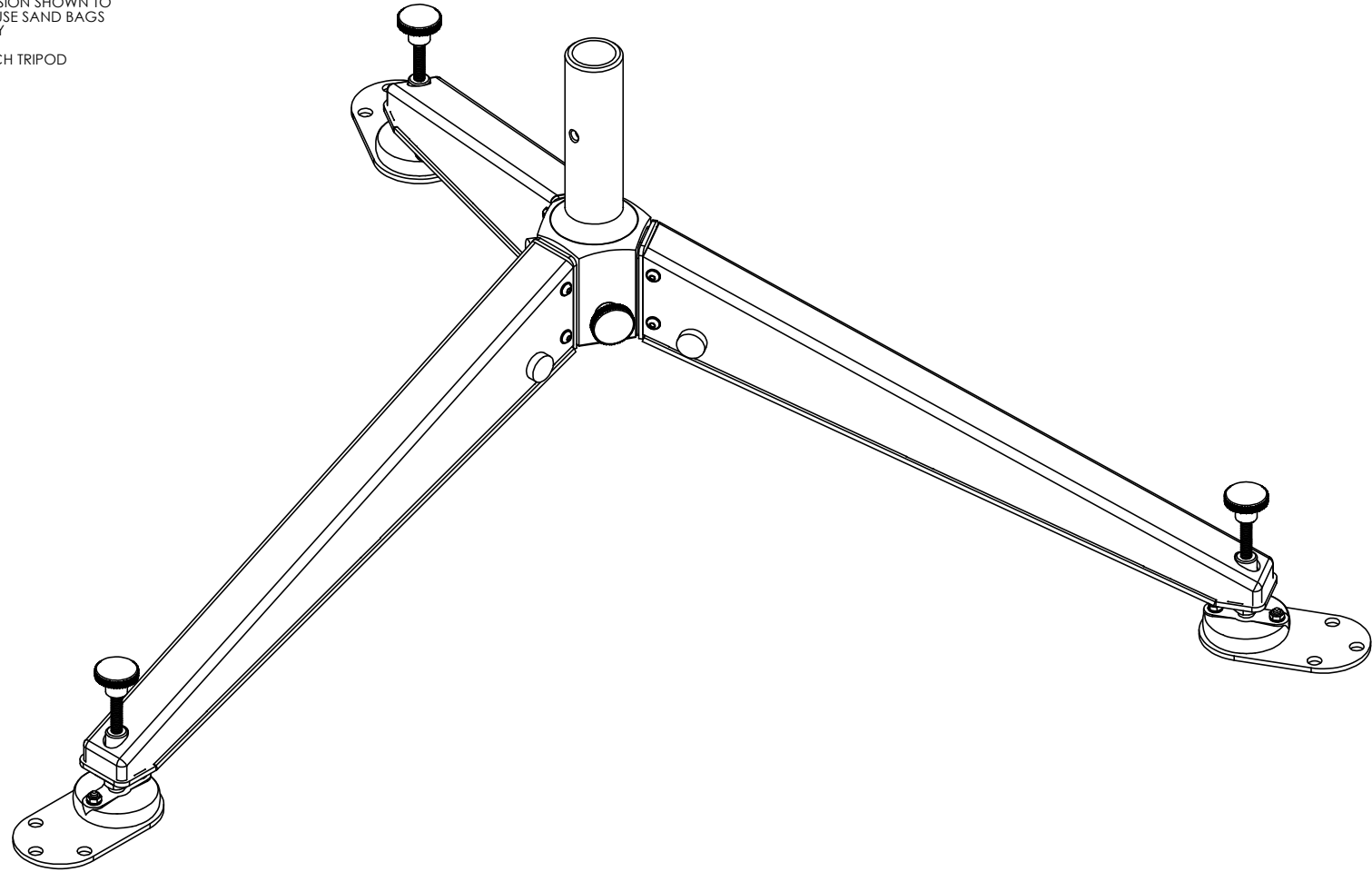


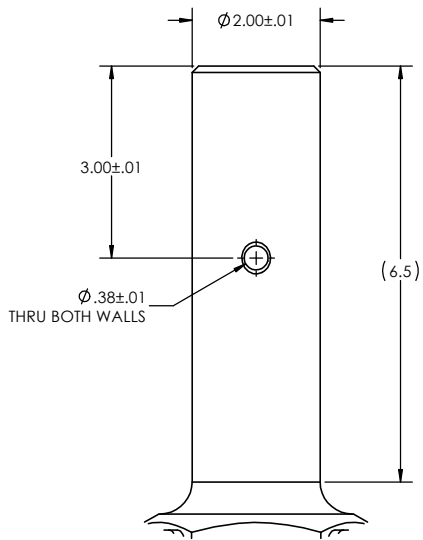
NOTES: UNLESS OTHERWISE SPECIFIED

1. TRIPOD INTERFACES DIRECTLY WITH ALL QPAR LINKALIGN POSITIONERS WITH 2 IN SOCKET. NO TOOLS REQUIRED
2. HARD COAT ANODIZE ALUMINUM CONSTRUCTION WITH STAINLESS STEEL HARDWARE
3. WEIGHT APPROXIMATELY 23 LBS
4. MAXIMUM PAYLOAD OF 200 LBS, INCLUDING POSITIONER
5. CENTER OF GRAVITY OF POSITIONER AND PAYLOAD MUST NOT EXCEED DIAMETER DIMENSION SHOWN TO PREVENT TIPPING. STAKE DOWN OR USE SAND BAGS ON TRIPOD LEGS TO ENSURE STABILITY
6. 1.6 INCHES OF ADJUSTABILITY AT EACH TRIPOD LEVELING LEG

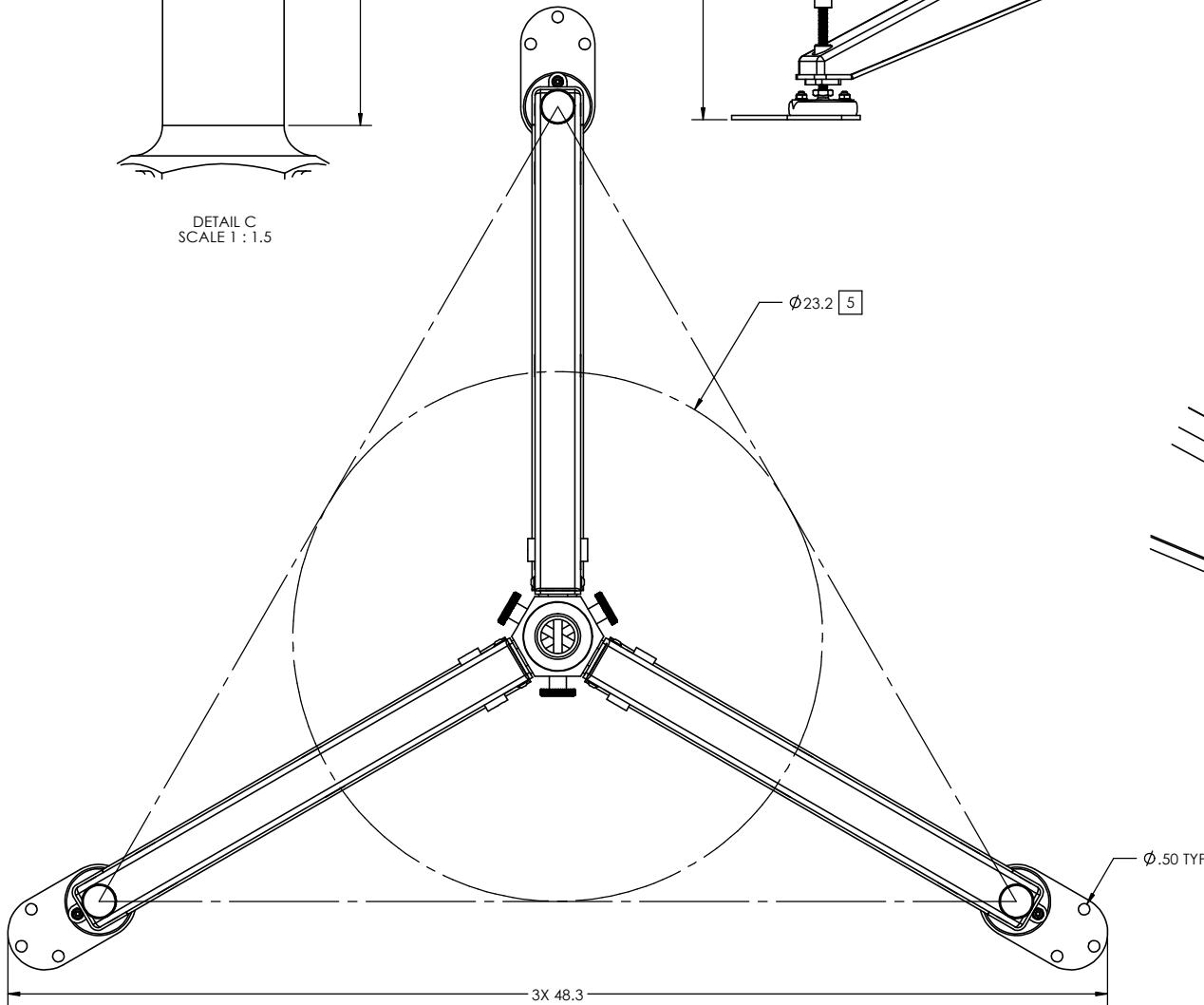
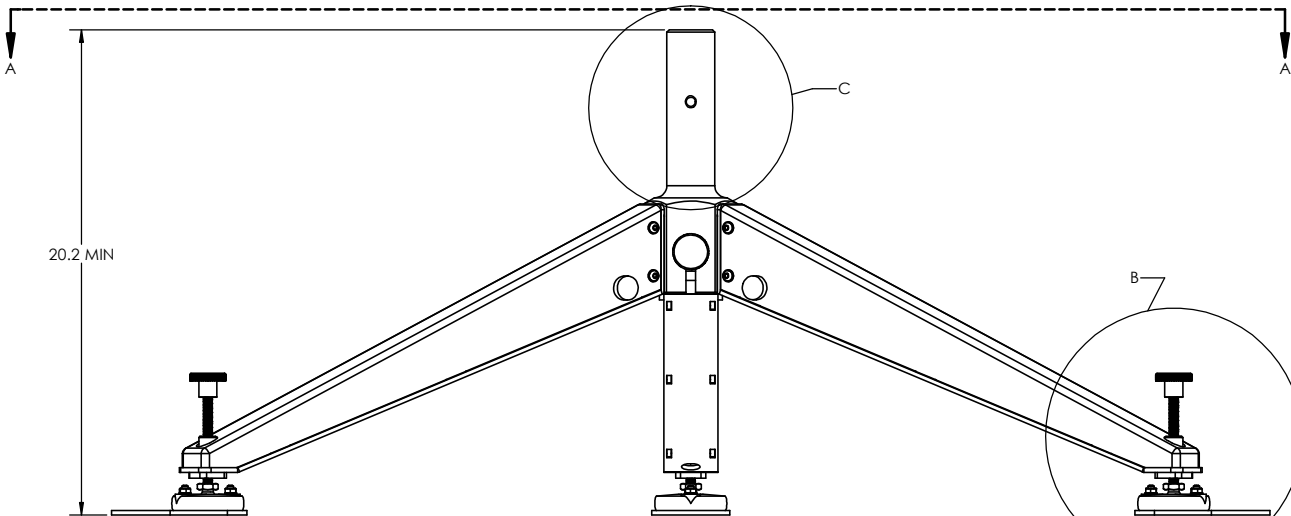
REV	DESCRIPTION	DATE	APPROVED
B	CN600636	2019-03-14	SRC



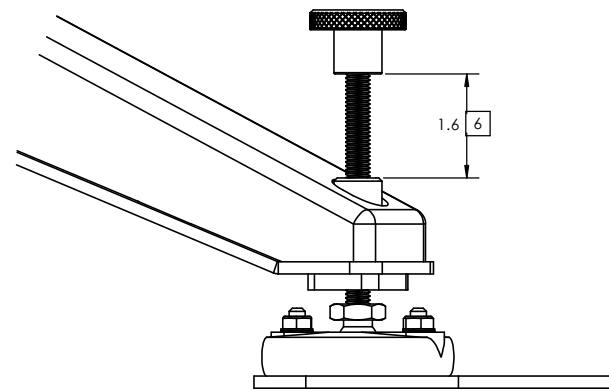
<b>SYMBOL KEY</b> <input type="checkbox"/> NOTE <input type="checkbox"/> PL ITEMS	<b>UNLESS OTHERWISE SPECIFIED:</b> DIMENSIONS ARE IN INCHES TOLERANCES: ANGLE ± .5 DEGREES TWO PLACE DECIMAL ± .030 THREE PLACE DECIMAL ± .010 INTERPRET DIM AND TOL PER ASME Y14.5M - 1994	DRAWN	S. CHEYNE	2018-10-25	<b>QPAR Antennas USA, LLC</b>  <b>TITLE:</b> TRIPOD ASSEMBLY, HEAVY DUTY
		CHECKED			
THE INFORMATION CONTAINED IN THIS DRAWING IS THE SOLE PROPERTY OF QPAR USA. ANY REPRODUCTION IN PART OR AS A WHOLE WITHOUT THE WRITTEN PERMISSION OF QPAR ANTENNAS USA IS PROHIBITED.	<b>THIRD ANGLE PROJECTION</b>  DO NOT SCALE DRAWING	ME APPR.	S. CHEYNE	2018-10-25	<b>PART NO.</b> ACC-N900413-1
		EE APPR.			
QPAR ANTENNAS USA, LLC LAS VEGAS, NV 89121 www.qparusa.com		SIZE	DWG. NO.	REV	
		SCALE: 1:3	<b>C</b> ICDN900413	<b>B</b>	SHEET 1 OF 3



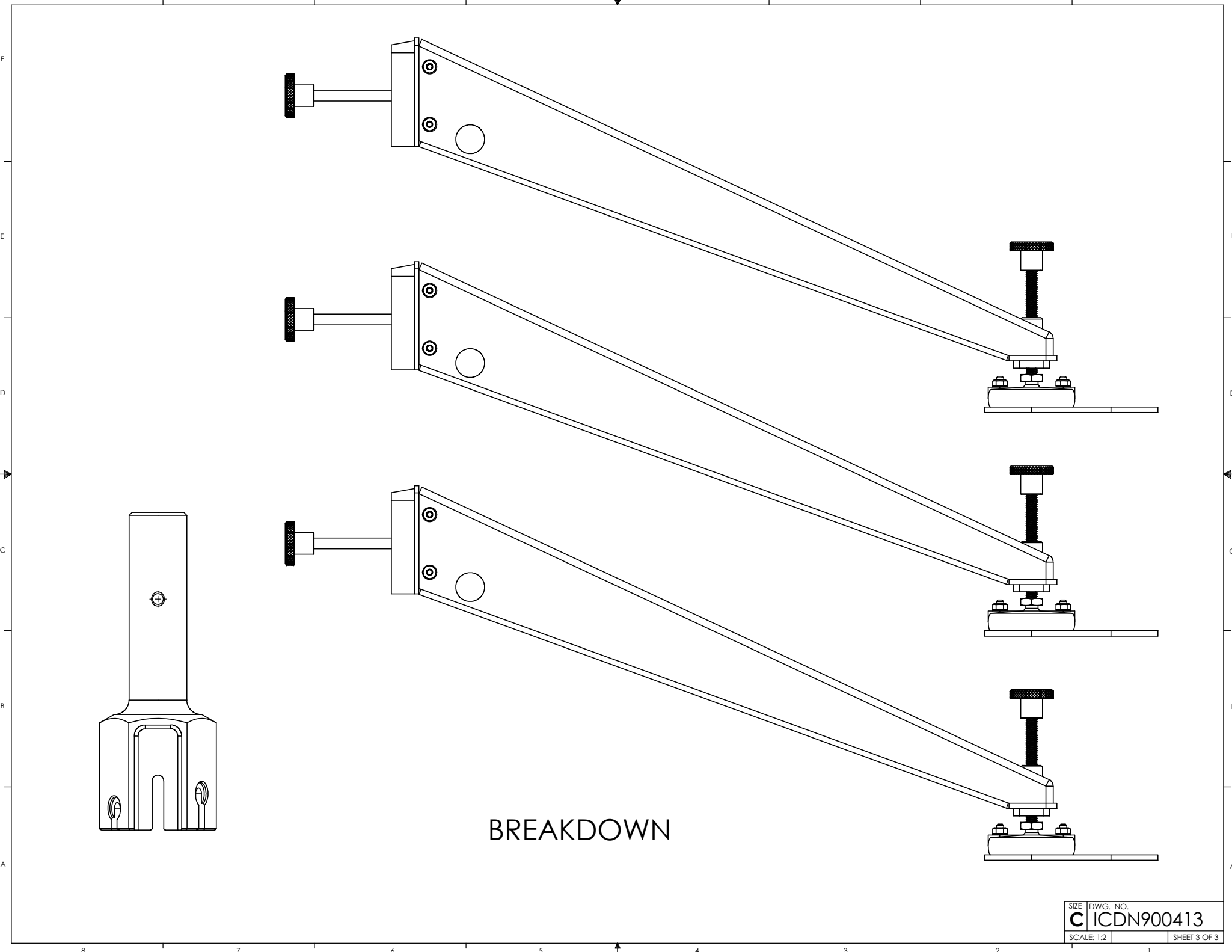
DETAIL C  
SCALE 1 : 1.5



VIEW A-A



DETAIL B  
SCALE 1 : 1.5  
3 PLACES



BREAKDOWN