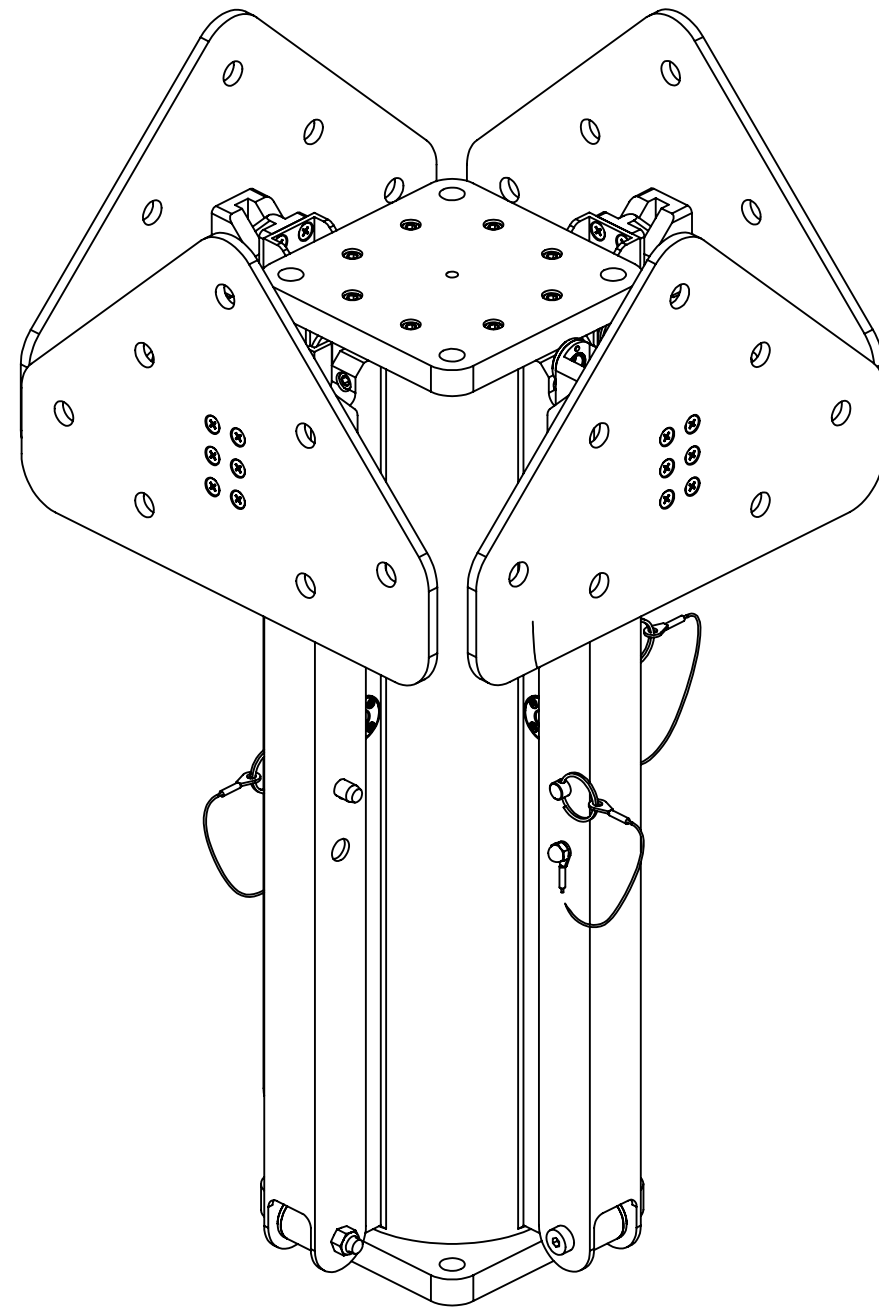
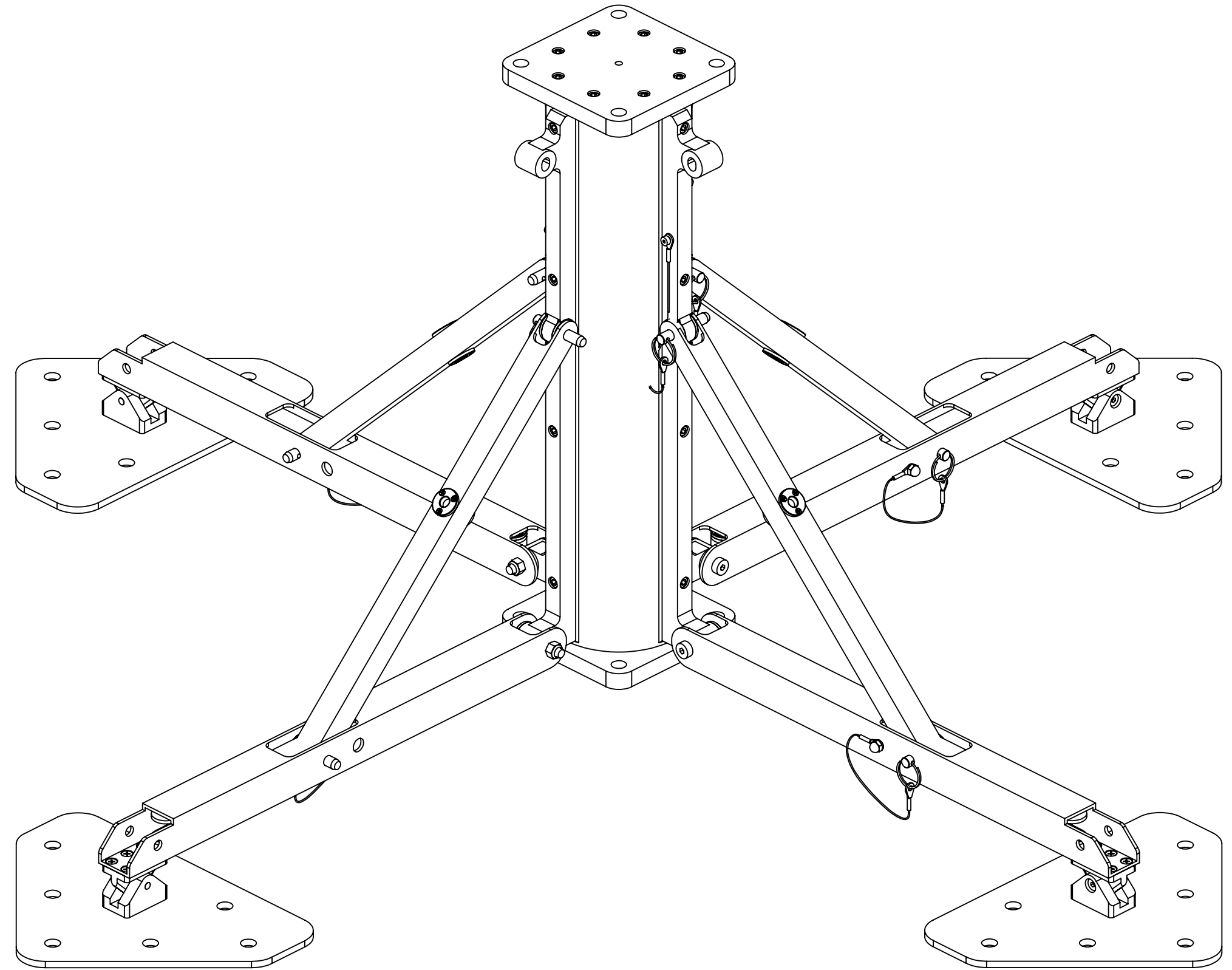


NOTES: UNLESS OTHERWISE SPECIFIED

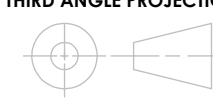
REV	DESCRIPTION	DATE	APPROVED
A	IR800536	2019-02-21	CLC



STOWED VIEW

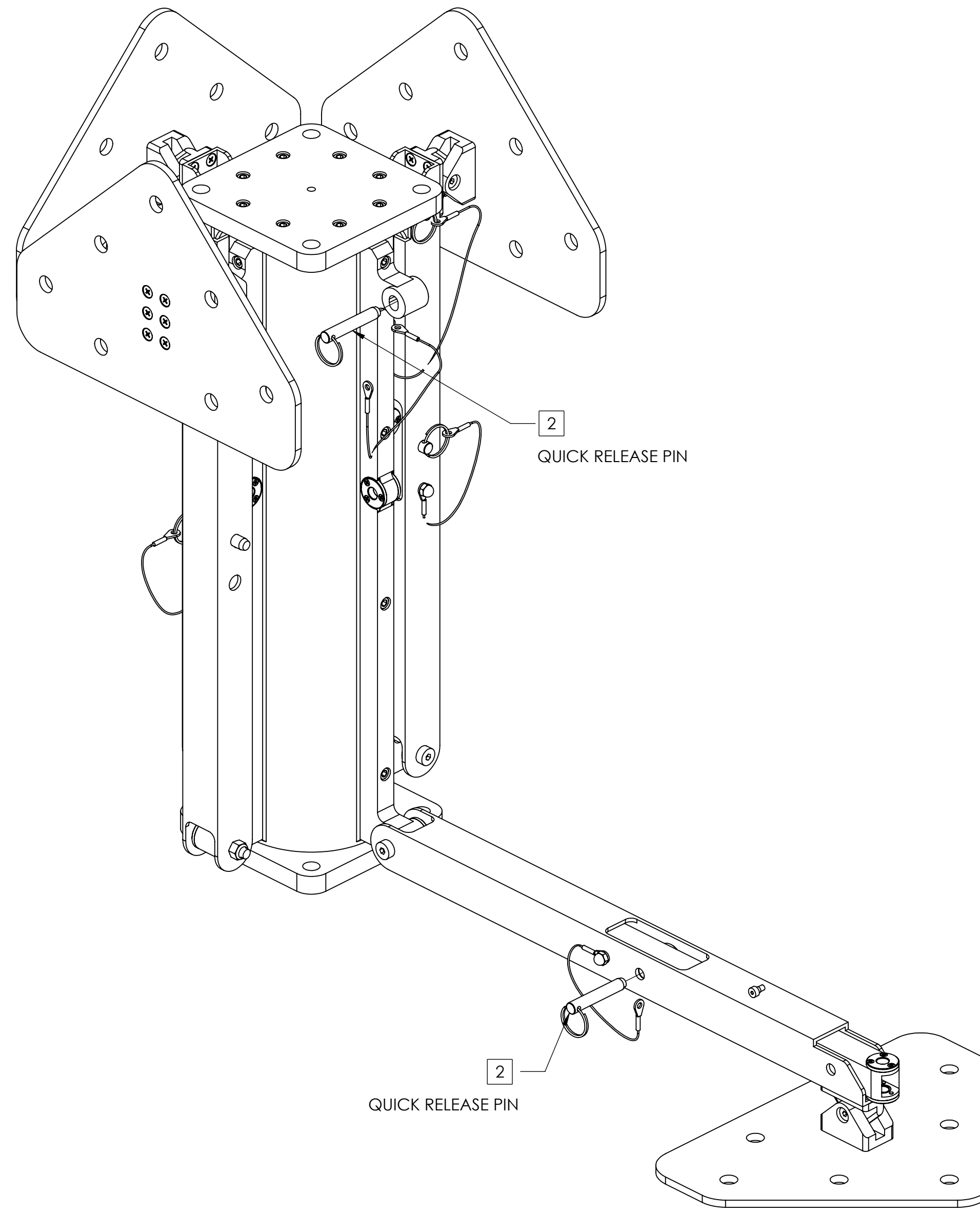


DEPLOYED VIEW

<b>SYMBOL KEY</b> <input type="checkbox"/> NOTE <input type="checkbox"/> PL ITEMS	<b>UNLESS OTHERWISE SPECIFIED:</b> DIMENSIONS ARE IN INCHES TOLERANCES: ANGLE ± 5 DEGREES TWO PLACE DECIMAL ±.030 THREE PLACE DECIMAL ±.010 INTERPRET DIM AND TOL PER ASME Y14.5M - 1994	DRAWN C. CHEYNE 2019-02-21	<b>QPAR ANTENNAS USA, LLC</b> TITLE: <b>ASSEMBLY GUIDE,          QUADPOD</b>	
		CHECKED S. CHEYNE 2019-02-21 ME APPR. C. CHEYNE 2019-02-21 EE APPR.		
<b>PROPRIETARY AND CONFIDENTIAL</b> THE INFORMATION CONTAINED IN THIS DRAWING IS THE SOLE PROPERTY OF QPARUSA. ANY REPRODUCTION IN PART OR AS A WHOLE WITHOUT THE WRITTEN PERMISSION OF QPAR ANTENNAS USA IS PROHIBITED.	<b>THIRD ANGLE PROJECTION</b>  DO NOT SCALE DRAWING	PART NO. <b>N900577-1</b>	SIZE DWG. NO. <b>C N900577</b>	REV <b>A</b>
QPAR ANTENNAS, LLC LAS VEGAS, NV 89121 www.qparusa.com	SCALE: 1:4	SHEET 1 OF 4		

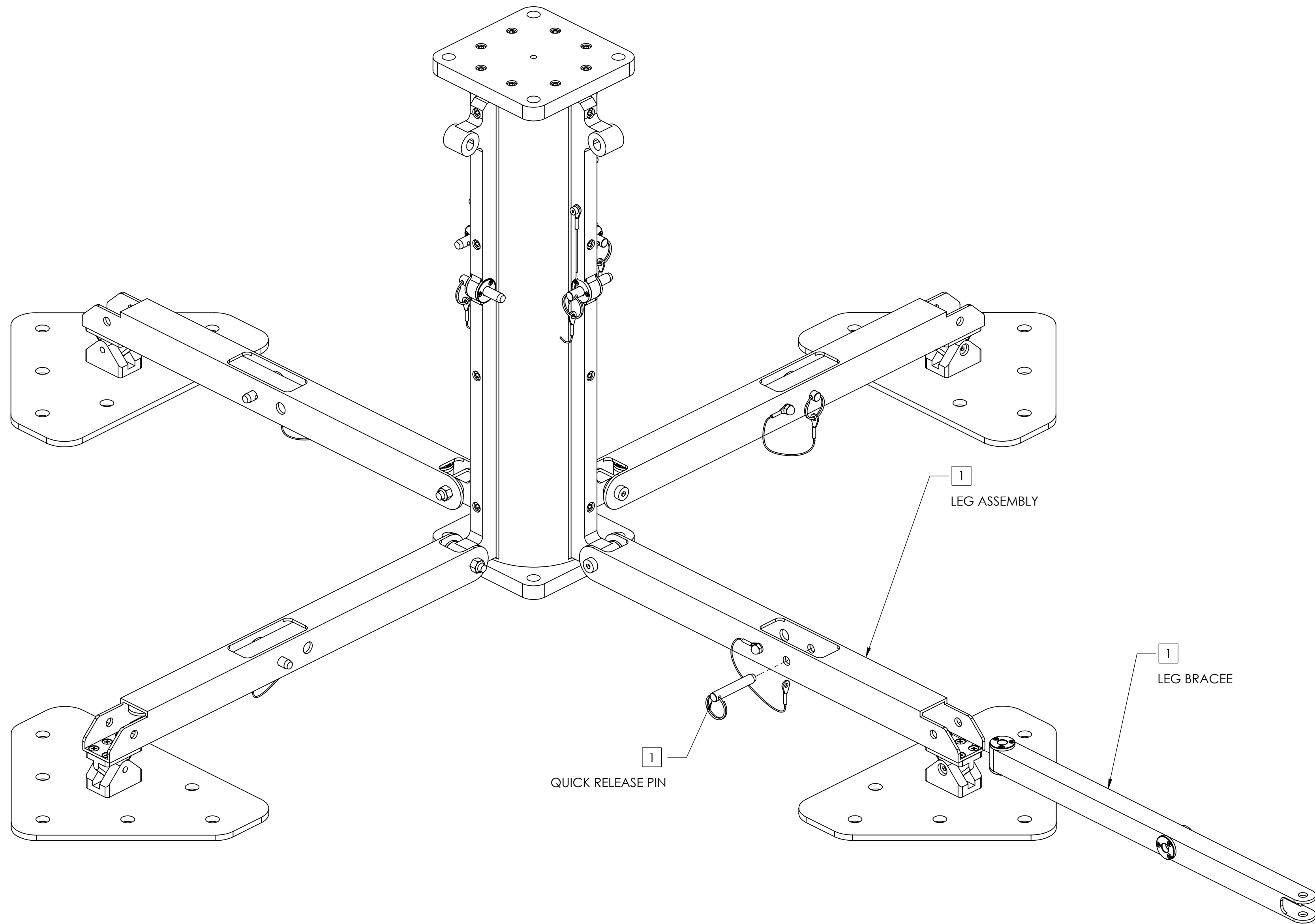
ASSEMBLY NOTES:

1 REMOVE QUICK RELEASE PINS TO DEPLOY LEGS IN EIGHT PLACES



ASSEMBLY NOTES:

1 REMOVE LEG BRACE FROM INSIDE LEG ASSEMBLY IN FOUR PLACES



ASSEMBLY NOTES:

- 1 INSTALL LEG BRACE IN FOUR PLACES THEN REINSERT QUICK RELEASE PINS TO SECURE LEG BRACE

