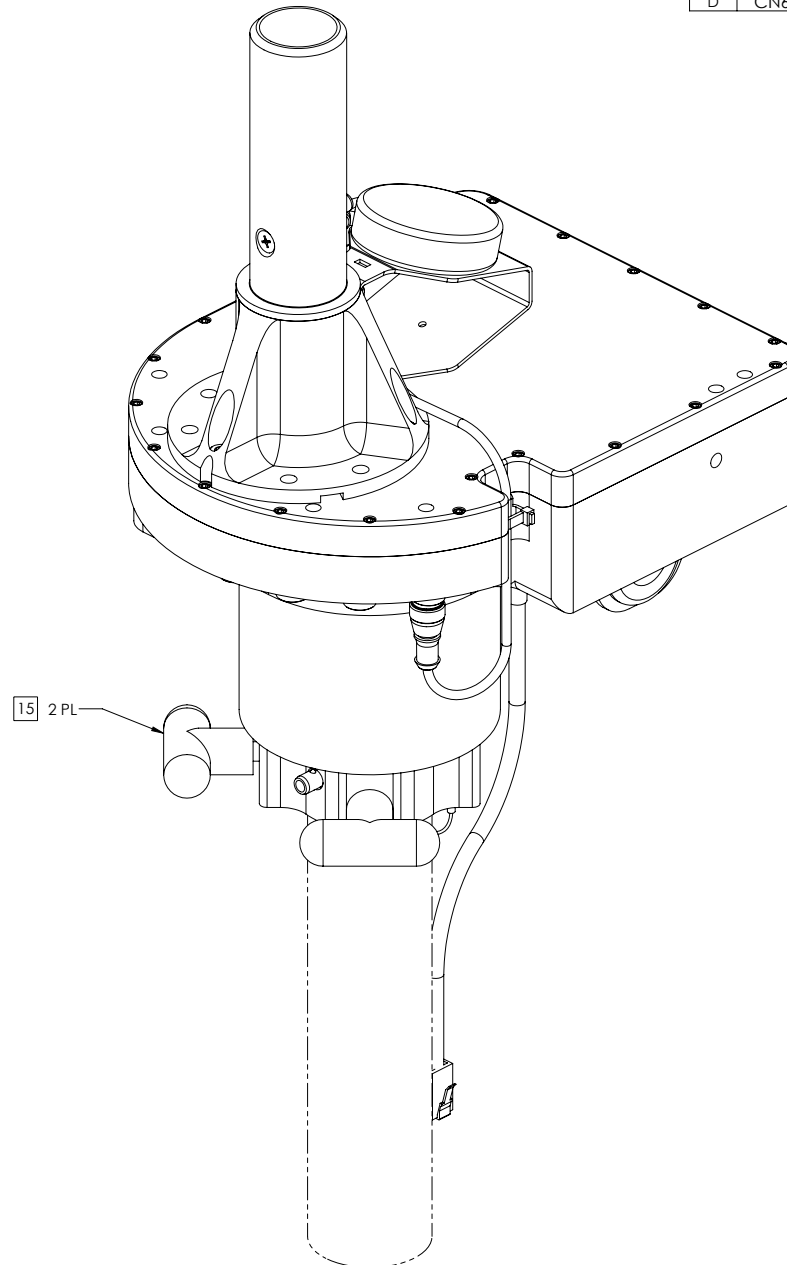


REV	DESCRIPTION	DATE	APPROVED
D	CN600564	2018-07-30	CLC

NOTES: UNLESS OTHERWISE SPECIFIED

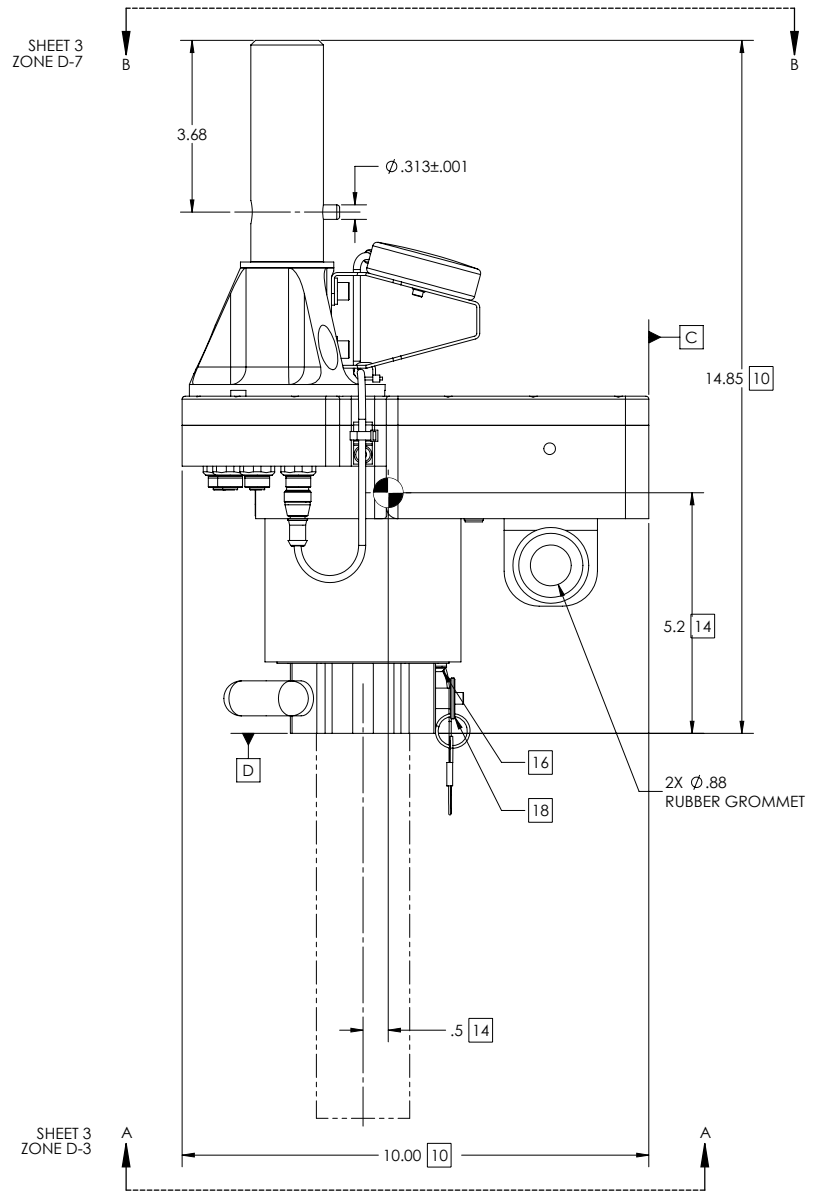
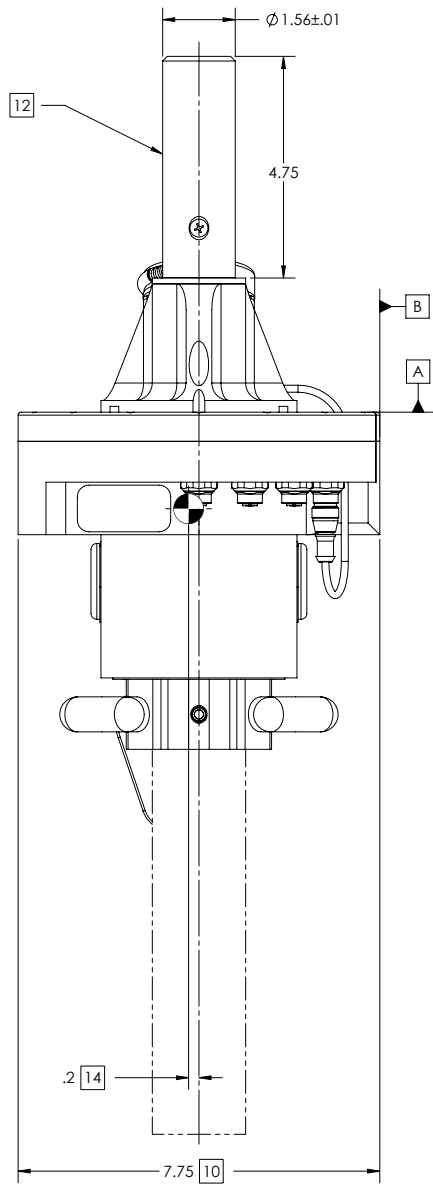
1. QPAR LINKALIGN-360AZR-10 CONFIGURABLE OPTIONS PER TABLE I. PART NUMBER QLA-360AZR-10-100 SHOWN THROUGHOUT THIS DRAWING. PoE CABLE SHOWN NOT TO SCALE
2. USE INTERFACE CONTROL DRAWING IN CONJUNCTION WITH DATASHEET N500110
3. 48-56VDC POWER SUPPLY INCLUDED WITH POSITIONER. NOT SHOWN IN DRAWING
4. HARD COAT ANODIZE ALUMINUM CONSTRUCTION WITH STAINLESS STEEL HARDWARE
5. 400° (+/-200°) AZIMUTH TRAVEL WITH 4.5°/SEC DRIVE RATE (NO LOAD)
6. NOT USED
7. -22° TO 140°F (-30° TO 60°C) OPERATIONAL TEMPERATURE RANGE. -40 TO 158°F (-40 TO 70°C) NON-OPERATIONAL TEMPERATURE RANGE
8. 0.1° FEEDBACK RESOLUTION
9. AZIMUTH BACKLASH LESS THAN 0.25°
- 10 14.85" (37.1 cm) HIGH X 7.75" (19.7 cm) WIDE X 10.00" (25.4 cm) DEEP
11. WEIGHT APPROXIMATELY 13.5 LBS NOT INCLUDING PoE CABLE
- 12 PAYLOAD SHALL NOT EXCEED 60 LBS ON INDICATED MAST
- 13 RADIO OR AUXILIARY EQUIPMENT MOUNTING FEATURES. 20 LBS MAX
- 14 CENTER OF GRAVITY 0.2" (0.5 cm) IN THE X-DIRECTION, 5.2" (13.2 cm) IN THE Y-DIRECTION AND 0.6" (1.5 cm) IN THE Z-DIRECTION. X & Z MEASURED FROM THE CENTER OF THE 2.00" DIAMETER MOUNTING POLE
- 15 FOR PERMANENT INSTALLATIONS, IT IS RECOMMENDED THAT THE (2) INDICATED 5/16-18 THREADED KNOBS BE REPLACED WITH (2) 5/16-18 X 1.000" LONG STAINLESS STEEL HEX HEAD FASTENERS. HARDWARE PROVIDED WITH UNIT. TORQUE TO 132 IN-LBS
- 16 POSITIONER IS AT AZIMUTH PEDESTAL 0° WHEN INDICATED FASTENER IS AT POSITION SHOWN WITH CLAMPING KNOBS IN THE FRONT AS SHOWN
- 17 POSITIONER CLAMPS TO STANDARD 2" OUTSIDE DIAMETER MAST (NOT INCLUDED). OPTIONAL MIDMOUNT KIT AVAILABLE TO ADAPT TO MAST DIAMETERS UP TO 6". GO TO www.qparusa.com TO LEARN MORE
- 18 5/16" QUICK RELEASE PIN TO SECURE POSITIONER TO MAST AND PREVENT ROTATION

15 2 PL

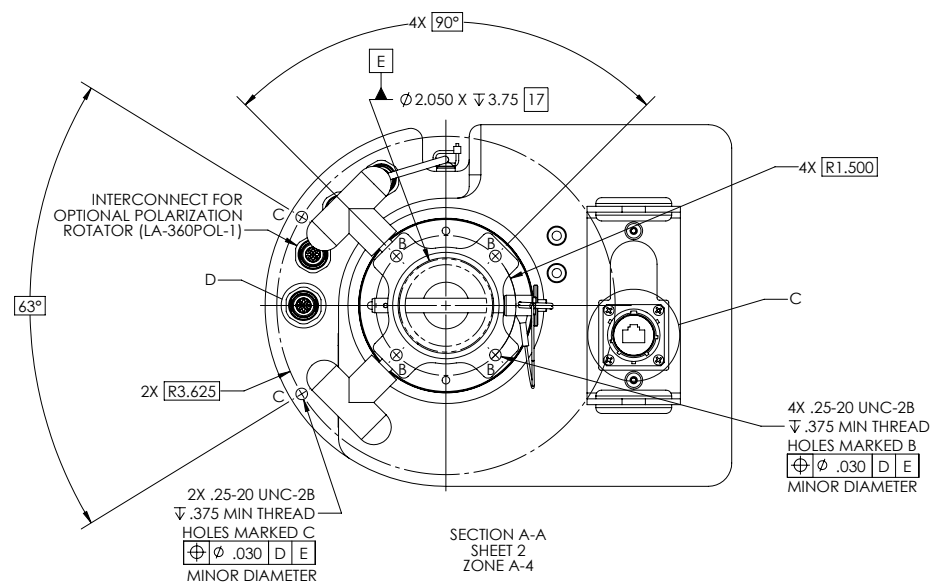
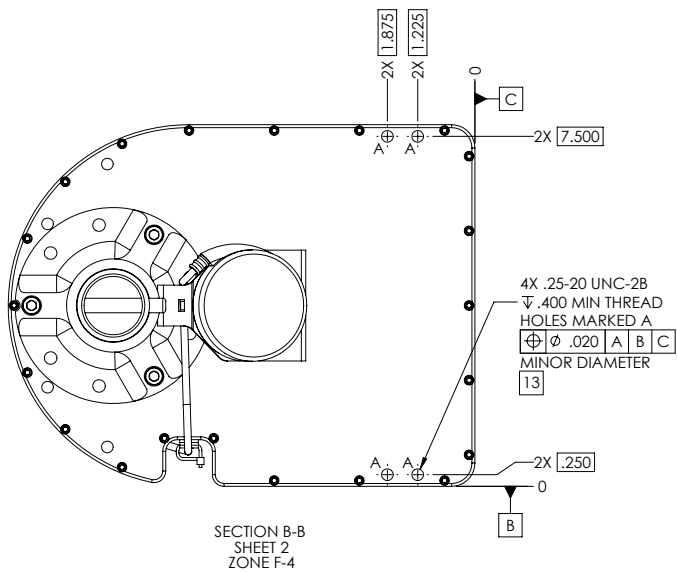


BUILDING A PART NUMBER		STANDARD OPTIONS
LA-360AZR	- 10 - 100	<<EXAMPLE
SHIELDED ETHERNET CABLE STANDARD LENGTHS		
050 = 50 ft		
100 = 100 ft		
150 = 150 ft		
200 = 200 ft		
250 = 250 ft		
300 = 300 ft		
XXX = Custom length in feet		
XXXX = Add "C" to end of cable length for unterminated mating connector		
CUSTOM CONFIGURATION		
= Standard options - leave blank		
MOTOR DRIVES AND PAYLOAD		
10 = Az 20 ft-lbs @ 4.5°/s, 60 lb payload		
MODEL		
LA-360AZR = LinkAlign-360AZR (+/- 200° azimuth)		

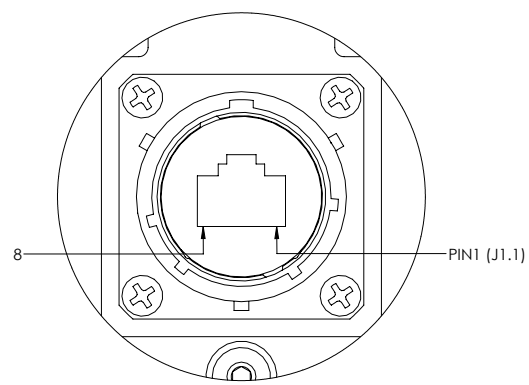
SYMBOL KEY		UNLESS OTHERWISE SPECIFIED:		DRAWN	S. CHEYNE	2015-06-08	QPAR ANTENNAS USA, LLC
□	NOTE	○	PL ITEMS	CHECKED	C. CHEYNE	2018-07-30	
PROPRIETARY AND CONFIDENTIAL THE INFORMATION CONTAINED IN THIS DRAWING IS THE SOLE PROPERTY OF QPARUSA. ANY REPRODUCTION IN PART OR AS A WHOLE WITHOUT THE WRITTEN PERMISSION OF QPAR ANTENNAS USA IS PROHIBITED.		DIMENSIONS ARE IN INCHES TOLERANCES ANGLE ± .5 DEGREES TWO PLACE DECIMAL ± .030 THREE PLACE DECIMAL ± .010 INTERPRET DIM AND TOL PER ASME Y14.5M - 1994		ME APPR.	S. CHEYNE	2015-06-08	
THIRD ANGLE PROJECTION DO NOT SCALE DRAWING		PART NO. SEE TABLE I		TITLE: QPAR LINKALIGN-360AZR-10 INTERFACE CONTROL DRAWING		SIZE C ICDN900231	
QPAR ANTENNAS USA, LLC San Diego, CA 92020 www.qparusa.com		SCALE: 2:3		SHEET 1 OF 3		REV D	



SIZE DWG. NO.
C ICDN900231
 SCALE: 1:2 SHEET 2 OF 3



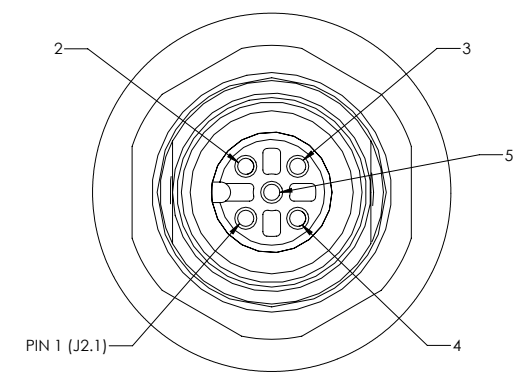
INTERCONNECT FOR POSITIONER PoE



J1 CONNECTOR SHOWN FROM MATING SIDE
MATES WITH AMPHENOL P/N - RJF6B

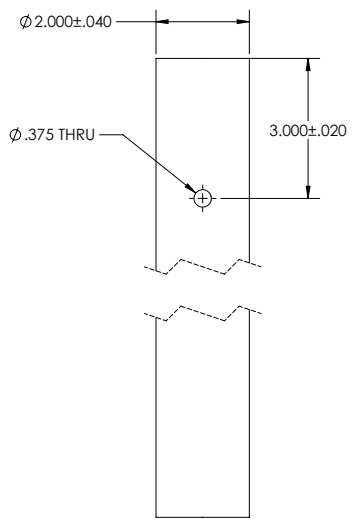
DETAIL C
SCALE 2 : 1

INTERCONNECT FOR SERIAL INTERFACE



J2 CONNECTOR SHOWN FROM MATING SIDE
MATES WITH TURCK P/N - 8151-0/PG9

DETAIL D
SCALE 4 : 1



SUGGESTED POSITIONER
MAST DIMENSIONS

17

TABLE II (PoE CONNECTOR)	
CONNECTOR DESIGNATION	FUNCTION
J1.1	DATA PAIR 1
J1.2	DATA PAIR 1
J1.3	DATA PAIR 2
J1.4	+48-56VDC PoE POWER INPUT
J1.5	+48-56VDC PoE POWER INPUT
J1.6	DATA PAIR 2
J1.7	DC RETURN FOR PoE INPUT
J1.8	DC RETURN FOR PoE INPUT

TABLE III (SERIAL CONNECTOR)	
CONNECTOR DESIGNATION	FUNCTION
J2.1	DC RETURN FOR QPARUSA JOYSTICK
J2.2	NOT USED
J2.3	(B) TxD-/RxD- DATA LINE
J2.4	(A) TxD+/RxD+ DATA LINE
J2.5	DC POWER FOR QPARUSA JOYSTICK