

REV	DESCRIPTION	DATE	APPROVED
C	CN600564	2018-07-23	CLC

NOTES: UNLESS OTHERWISE SPECIFIED

1. QPAR LINKALIGN-15LPT-40 CONFIGURABLE OPTIONS PER TABLE I. PART NUMBER QLA-15LPT-40-NCI-NCI SHOWN THROUGHOUT THIS DRAWING.
2. USE INTERFACE CONTROL DRAWING IN CONJUNCTION WITH DATASHEET N500109
3. INPUT POWER SHALL BE NOMINALLY 48VDC (45VDC TO 55VDC)
4. HARD COAT ANNO DIZE ALUMINUM CONSTRUCTION WITH STAINLESS STEEL HARDWARE
5. 15° (+/-7.5°) AZIMUTH TRAVEL WITH 0.25°/SEC DRIVE RATE
6. 15° (+/-7.5°) ELEVATION TRAVEL WITH 0.25°/SEC DRIVE RATE
7. -22 TO 140°F (-30 TO 60°C) OPERATIONAL TEMPERATURE RANGE. -40 TO 158°F (-40 TO 70°C) NON-OPERATIONAL TEMPERATURE RANGE
8. +/-0.1° PAN/TILT REPEATABILITY
9. 65 MPH (104KPH) OPERATIONAL WIND SPEED WITH GUSTS UP TO 80 MPH (128 KPH). 124 MPH (200 KPH) SURVIVAL WIND SPEED. ASSUMES 6' DIAMETER DISH WITH RADOME
- 10 39" (99 cm) HIGH X 39" (99 cm) WIDE X 22" (56 cm) DEEP. DEPTH MEASURED TO CENTER OF 4.5" DIAMETER MOUNTING POLE
11. WEIGHT APPROXIMATELY 130 LBS
- 12 MOUNTS TO STANDARD 4.5" O.D. POLE (NOT INCLUDED) WITH 3 SUPPLIED U-BOLTS SHOWN
- 13 CONFIGURATION SHOWN CONTAINS MOUNTING HOLES THAT DIRECTLY INTERFACE WITH 6' DIAMETER COMSCOPE ANTENNA PART NUMBERS UHX6-59W-P3A/B AND VHLPX6-6W-6WH/A. ADAPTER MAY BE REQUIRED TO INTERFACE WITH OTHER MAKES AND MODELS
- 14 A MINIMUM OF 1 STRUT ON EITHER SIDE OF THE MOUNTING POLE MUST BE INSTALLED (NOT INCLUDED) TO PREVENT POSITIONER FROM TWISTING ON MOUNT FROM WIND. ENSURE THAT THE STRUTS ARE INSTALLED SUCH THAT THE ANGLE THAT ARE MOUNTED AT DOES NOT EXCEED THE ANGLE SHOWN
- 15 ENSURE POWER CABLE +48VDC AND GROUND CORRESPOND WITH INPUT CONNECTOR PER DETAIL E. SHEET 3. L1, L2, L3, AND L4 INTERFACE WITH CORRESPONDING LINEAR ACTUATORS (CABLES AND CONNECTORS NOT SHOWN)
- 16 APPLY LOCTITE THREADLOCKER RED 271 TO THREADS OF INDICATED FASTENERS
- 17 TORQUE INDICATED 1/2-13 FASTENERS TO 40 FT-LBS
18. DO NOT LIFT FROM LINEAR ACTUATORS. ENSURE ALL LIFTING STRAPS ARE CLEAR OF MATING CONNECTORS AS TO NOT DAMAGE THE POSITIONER
- 19 CENTER OF GRAVITY 0.3" (0.8 cm) IN THE Y-DIRECTION AND 0" IN THE X-DIRECTION MEASURED FROM THE HORIZONTAL CENTER OF THE POSITIONER. CENTER OF GRAVITY 11.0" (27.9 cm) IN THE Z-DIRECTION MEASURED FROM THE CENTER OF THE 4.5" DIAMETER MOUNTING POLE.

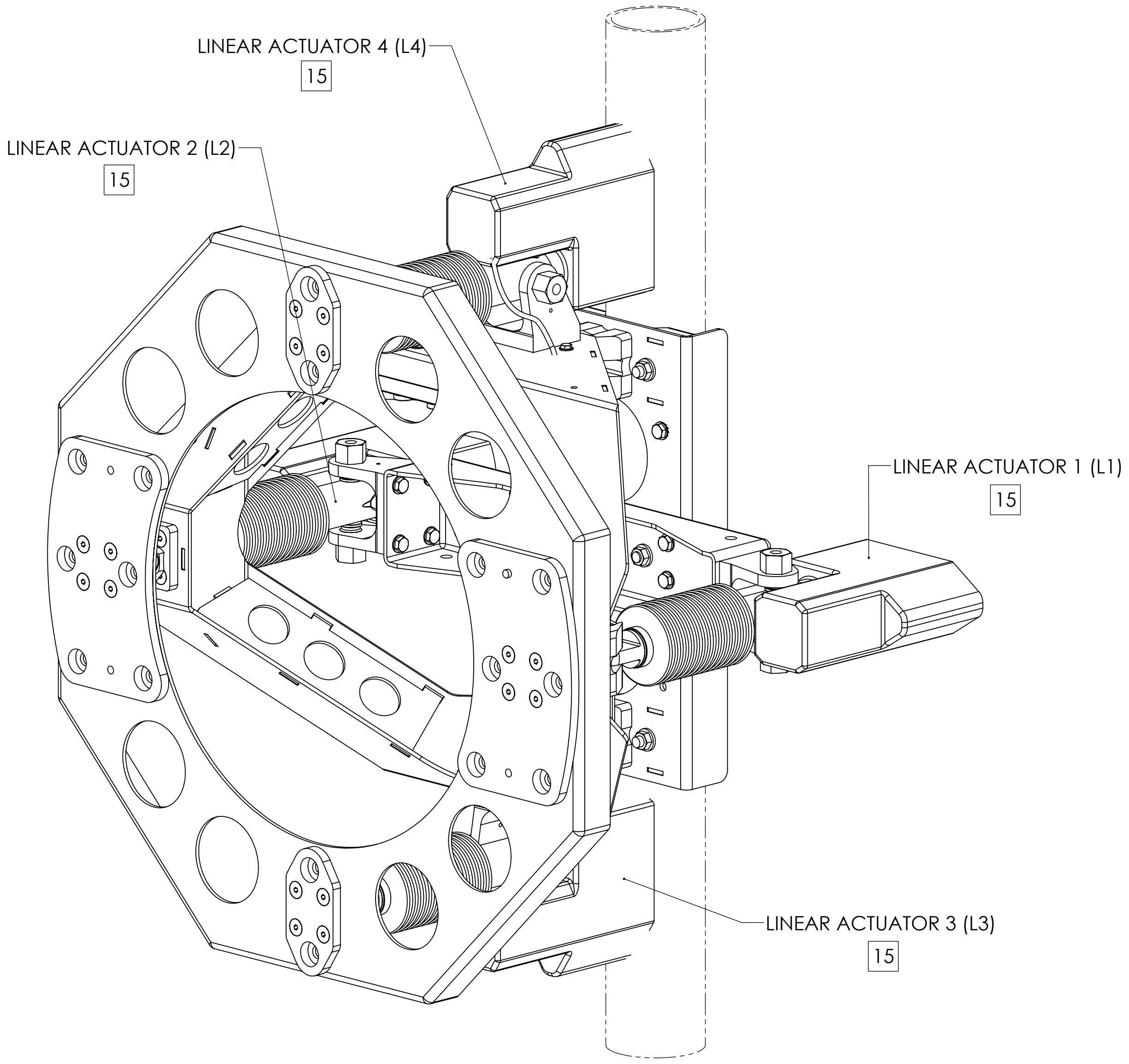
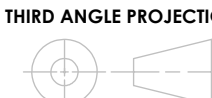
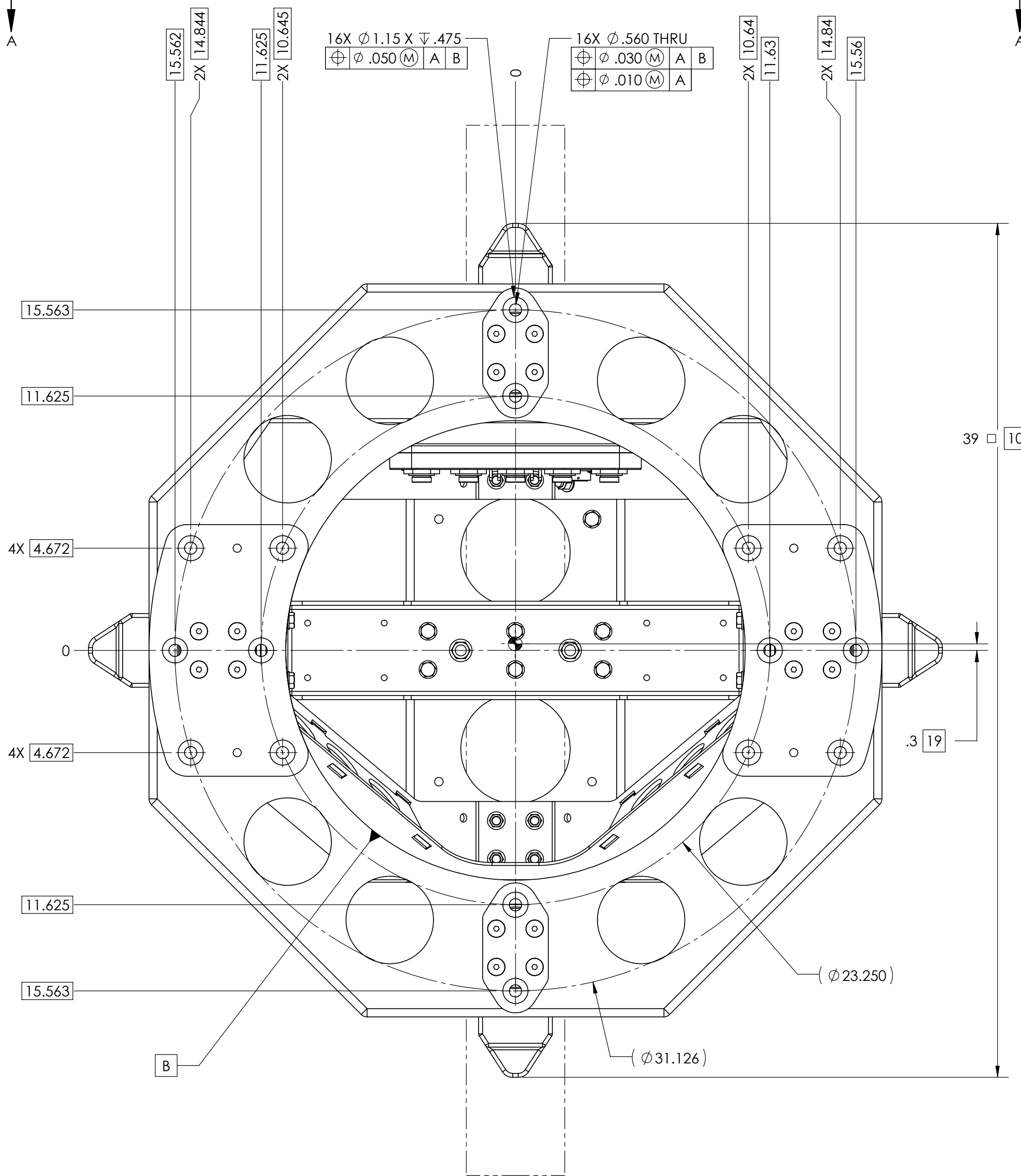


TABLE I	
BUILDING A PART NUMBER	STANDARD OPTIONS
LA-15LPT - 40 - 100 - 100	<<EXAMPLE
	SHIELDED ETHERNET CABLE STANDARD LENGTHS
	050 = 50 ft
	100 = 100 ft
	150 = 150 ft
	200 = 200 ft
	250 = 250 ft
	300 = 300 ft
	XXX = Custom length in feet
	XXXC = Add "C" to end of cable length for unterminated mating connector
	POWER CABLE STANDARD LENGTHS (CONNECTOR BY FLYING LEAD)
	050 = 50 ft
	100 = 100 ft
	150 = 150 ft
	200 = 200 ft
	XXX = Custom length in feet
	CUSTOM CONFIGURATION
	= Standard options - leave blank
	MOTOR DRIVES AND PAYLOAD
	40 = Az 500 ft-lbs @ 0.5°/s, El 500 ft-lbs @ 0.5°/s, 300 lb payload.
	Typically paired with 4-6 ft antenna
	MODEL
	LA-15LPT = LinkAlign-15LPT (+/-7.5° azimuth, +/-7.5° elevation)

SYMBOL KEY <input type="checkbox"/> NOTE <input type="checkbox"/> PL ITEMS PROPRIETARY AND CONFIDENTIAL THE INFORMATION CONTAINED IN THIS DRAWING IS THE SOLE PROPERTY OF QPARUSA. ANY REPRODUCTION IN PART OR AS A WHOLE WITHOUT THE WRITTEN PERMISSION OF QPAR ANTENNAS USA IS PROHIBITED. QPAR ANTENNAS USA, LLC San Diego, CA 92020 www.qparusa.com	UNLESS OTHERWISE SPECIFIED: DIMENSIONS ARE IN INCHES TOLERANCES: ANGLE ± 5 DEGREES TWO PLACE DECIMAL ±.030 THREE PLACE DECIMAL ±.010 INTERPRET DIM AND TOL PER ASME Y14.5M - 1994 THIRD ANGLE PROJECTION  DO NOT SCALE DRAWING	DRAWN S. CHEYNE 2013-10-28 CHECKED C. CHEYNE 2017-05-09 ME APPR. S. CHEYNE 2013-10-28 EE APPR. 2013-10-28	QPAR ANTENNAS USA, LLC TITLE: QPAR LINKALIGN-15LPT-40 INTERFACE CONTROL DRAWING
		PART NO. SEE TABLE I	SIZE DWG. NO. REV C ICDN900212 C SCALE: 1:4 SHEET 1 OF 5

SHEET 3
ZONE B-6



4 SURFACES

(4X .475)

SHEET 3
ZONE B-2

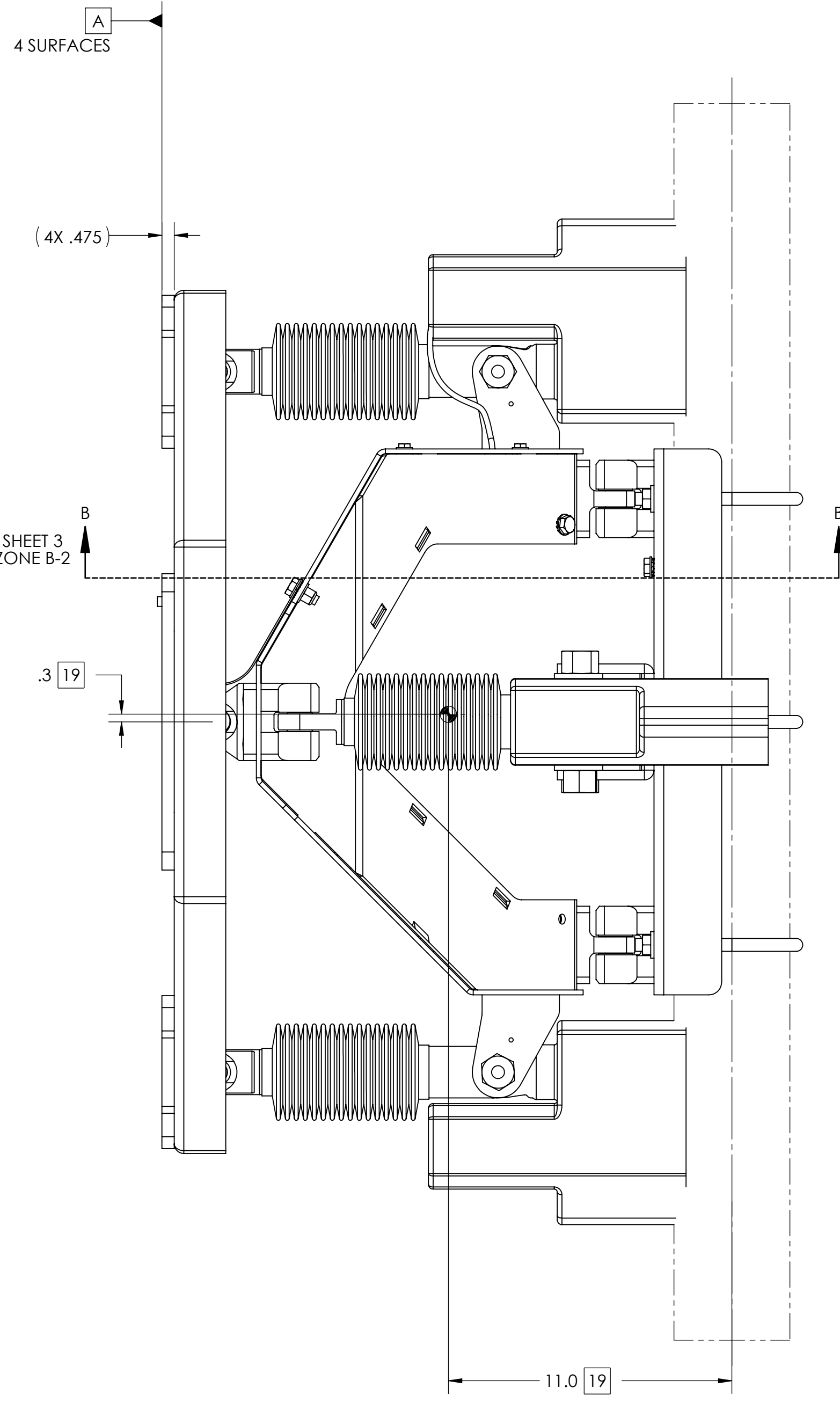
.3 19

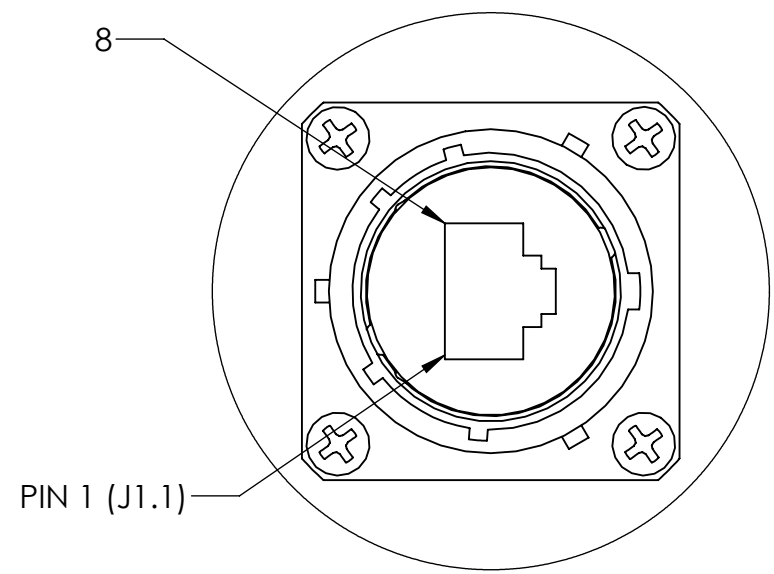
.3 19

39 10

ANTENNA MOUNTING FEATURES

13

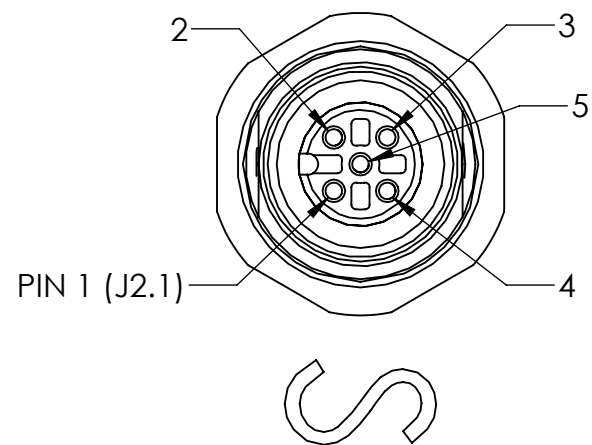




PIN 1 (J1.1)

J1 CONNECTOR SHOWN FROM MATING SIDE
MATES WITH AMPHENOL P/N - RJF6B

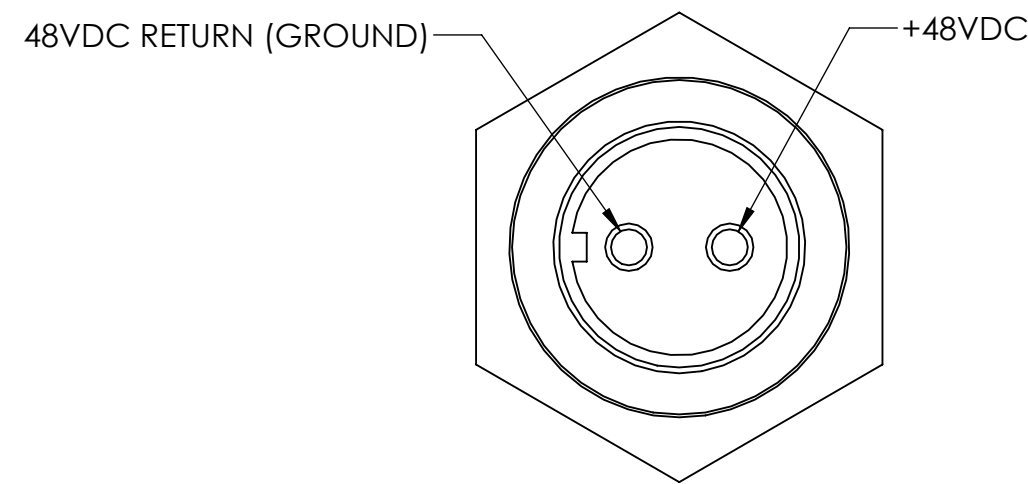
DETAIL C
SCALE 1.5 : 1
SEE TABLE II FOR PINOUT DETAILS



PIN 1 (J2.1)

J2 CONNECTOR SHOWN FROM MATING SIDE
MATES WITH TURCK P/N - 8151-0/PG9

DETAIL D
SCALE 2 : 1
SEE TABLE III FOR PINOUT DETAILS



48VDC RETURN (GROUND)

+48VDC

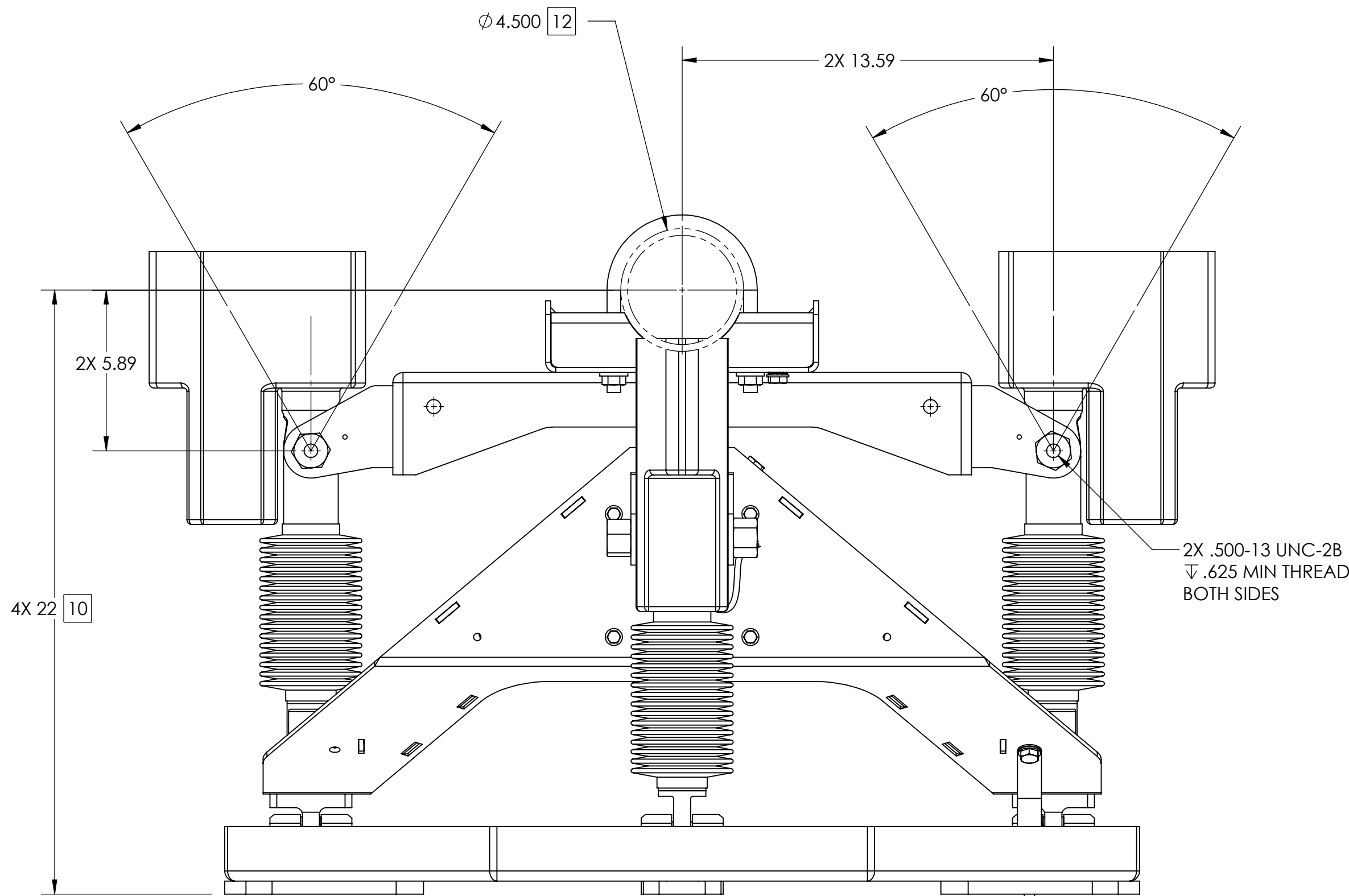
J3 CONNECTOR SHOWN FROM MATING SIDE
MATES WITH TURCK CABLE P/N - RKM 20-*M
(* INDICATES LENGTH IN METERS)

DETAIL E
SCALE 1.5 : 1
POWER INPUT

15

TABLE II (PoE CONNECTOR)	
CONNECTOR DESIGNATION	FUNCTION
J1.1	DATA PAIR 1
J1.2	DATA PAIR 1
J1.3	DATA PAIR 2
J1.4	+48-56VDC PoE POWER INPUT
J1.5	+48-56VDC PoE POWER INPUT
J1.6	DATA PAIR 2
J1.7	DC RETURN FOR PoE INPUT
J1.8	DC RETURN FOR PoE INPUT

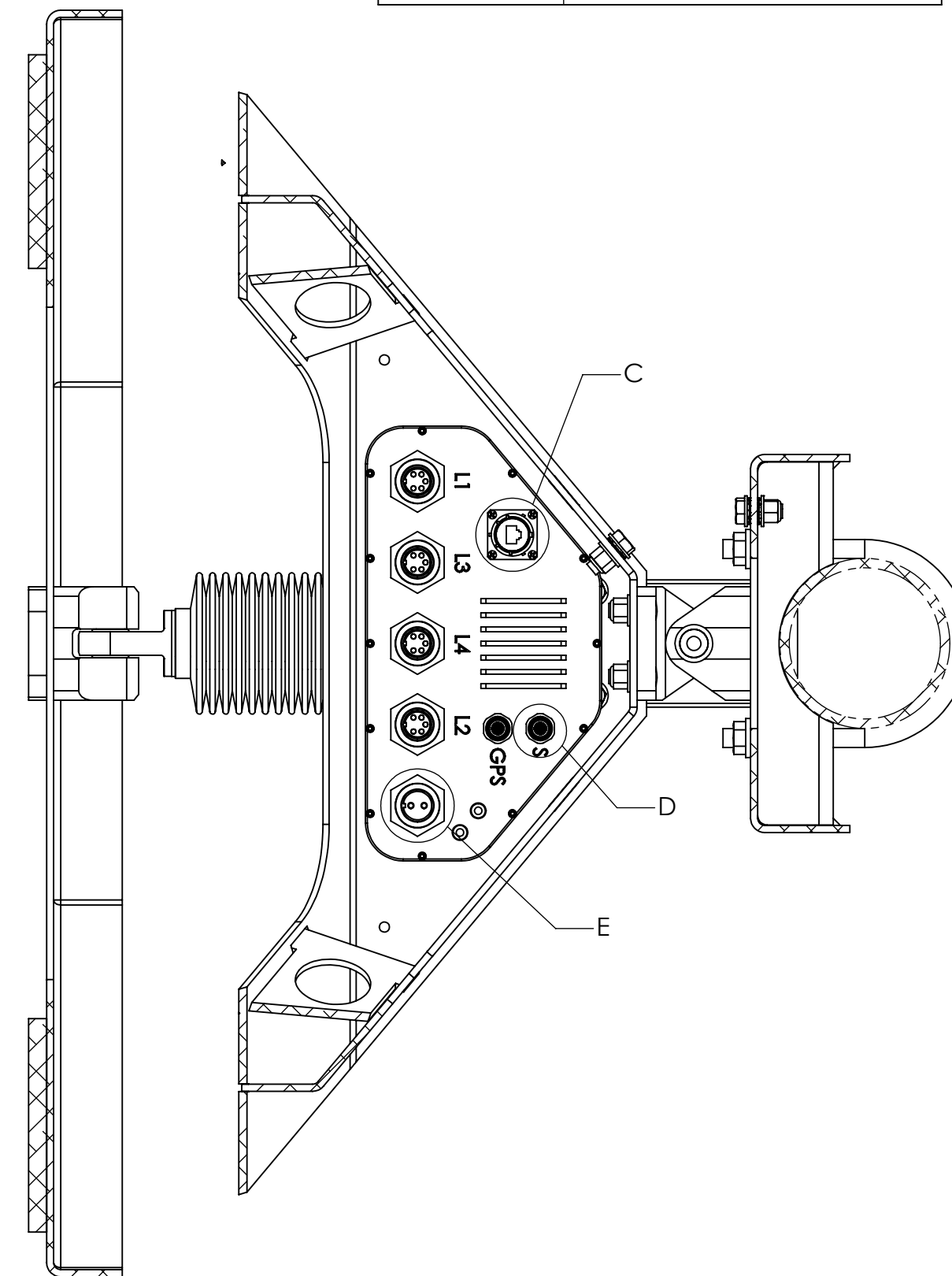
TABLE III (SERIAL CONNECTOR)	
CONNECTOR DESIGNATION	FUNCTION
J2.1	DC RETURN FOR QPARUSA JOYSTICK
J2.2	NOT USED
J2.3	(B) TxD-/RxD- DATA LINE
J2.4	(A) TxD+/RxD+ DATA LINE
J2.5	DC POWER FOR QPARUSA JOYSTICK



VIEW A-A
SHEET 2
ZONE F-6

STRUT INSTALLATION

14



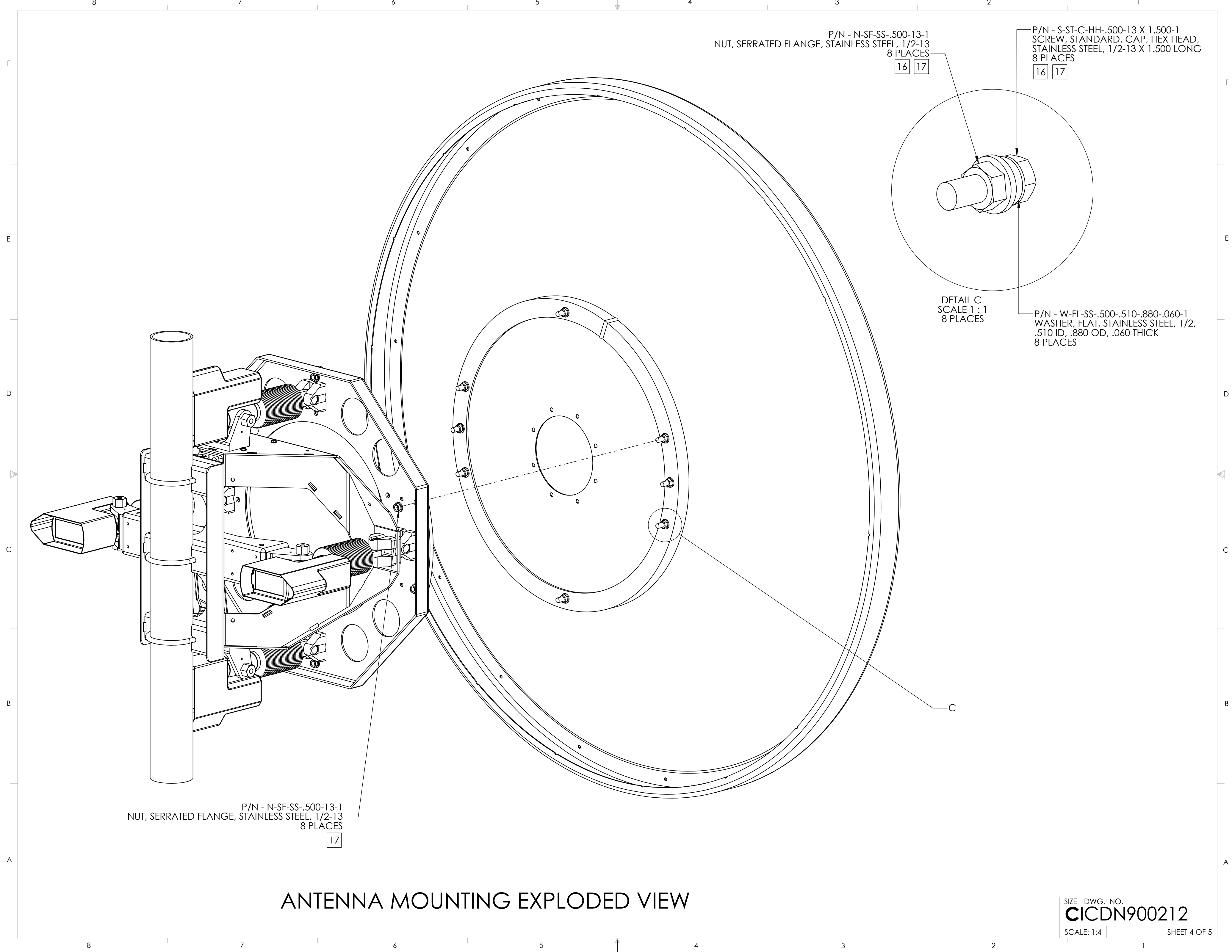
SECTION B-B
SHEET 2
ZONE D-4

MATING CONNECTORS

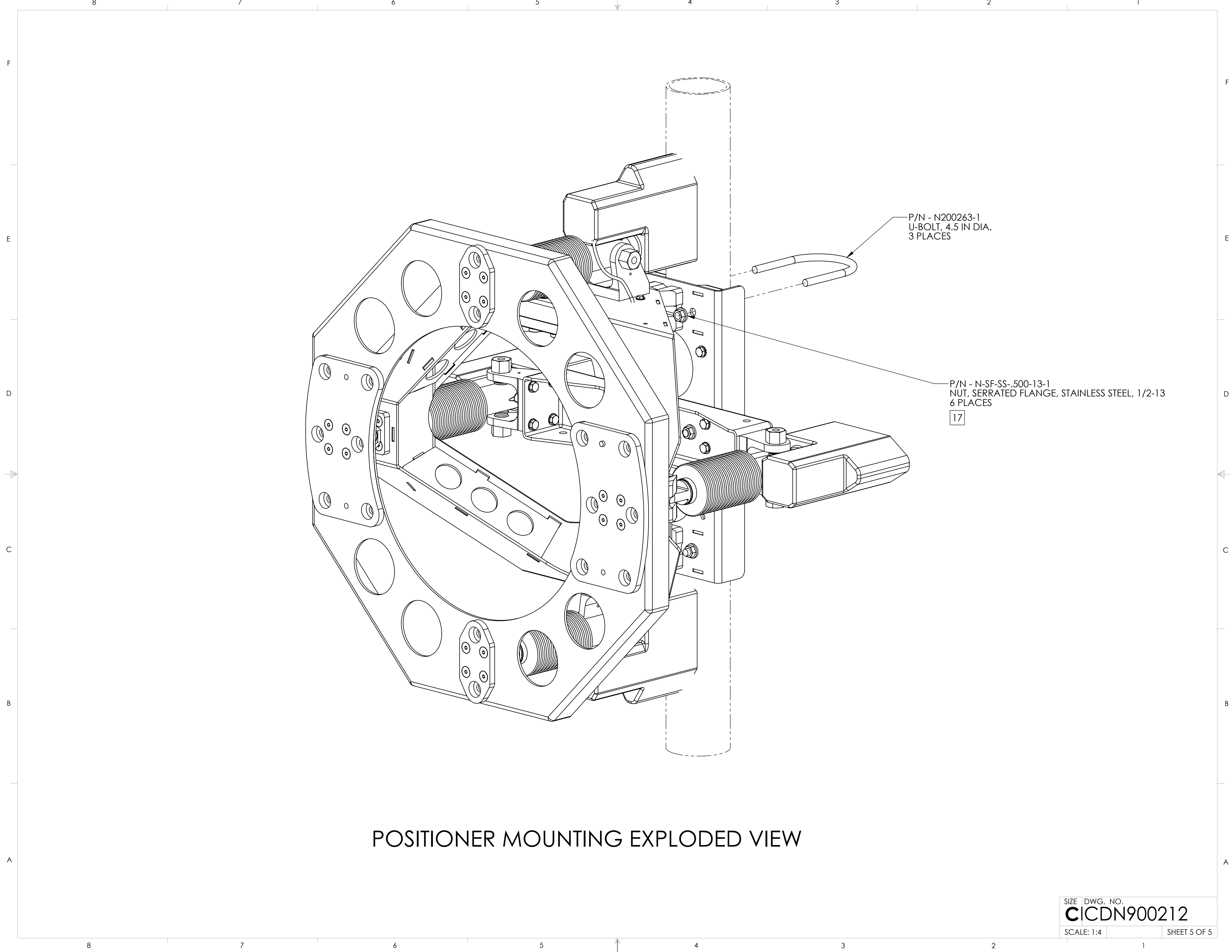
15

SIZE DWG. NO.
CICDN900212

SCALE: 1:4 SHEET 3 OF 5



ANTENNA MOUNTING EXPLODED VIEW



P/N - N200263-1
U-BOLT, 4.5 IN DIA.
3 PLACES

P/N - N-SF-SS-.500-13-1
NUT, SERRATED FLANGE, STAINLESS STEEL, 1/2-13
6 PLACES

17

POSITIONER MOUNTING EXPLODED VIEW