

REV	DESCRIPTION	DATE	APPROVED
B	CN600567	2018-08-06	CLC

NOTES: UNLESS OTHERWISE SPECIFIED

1. QPAR LINKALIGN-360RPT-20 CONFIGURABLE OPTIONS PER TABLE I. PART NUMBER QLA-360RPT-20-100 SHOWN THROUGHOUT THIS DRAWING. POE CABLE SHOWN NOT TO SCALE
2. USE INTERFACE CONTROL DRAWING IN CONJUNCTION WITH DATASHEET N500124
3. 48-56VDC, POWER SUPPLY INCLUDED WITH POSITIONER. NOT SHOWN IN DRAWING
4. HARD COAT ANODIZE ALUMINUM CONSTRUCTION WITH STAINLESS STEEL HARDWARE
5. 400° (+/-200°) AZIMUTH TRAVEL WITH 2.2°/SEC DRIVE RATE (NO LOAD)
6. 20° (+/-10°) ELEVATION TRAVEL WITH 2.0°/SEC DRIVE RATE (NO LOAD)
7. -22° TO 140°F (-30° TO 60°C) OPERATIONAL TEMPERATURE RANGE. -40 TO 158°F (-40 TO 70°C) NON-OPERATIONAL TEMPERATURE RANGE
8. 0.1° FEEDBACK RESOLUTION IN ALL AXES
9. AZIMUTH BACKLASH LESS THAN 0.15°. ELEVATION BACKLASH LESS THAN 1°
10. 15.32" (38.9 cm) HIGH X 9.12" (23.2 cm) WIDE X 11.06" (28.1 cm) DEEP. DIMENSIONS APPLY WHEN POSITIONER IS AT 0° AZIMUTH AND 0° ELEVATION ANGLES
11. WEIGHT APPROXIMATELY 21.0 LBS (9.5 kg) NOT INCLUDING POE CABLE
12. PAYLOAD SHALL NOT EXCEED 90 LBS OR 100 FT-LBS OF TORQUE ABOUT THE ELEVATION AXIS. TO CALCULATE TORQUE, TAKE THE DISTANCE FROM THE PAYLOAD CENTER OF GRAVITY TO DATUM -H- IN FEET AND MULTIPLY BY THE PAYLOAD WEIGHT. SEVERAL ANTENNA BRACKET OPTIONS AVAILABLE THAT INTERFACE DIRECTLY WITH FEATURES SHOWN. GO TO www.qparusa.com TO LEARN MORE
13. RADIO OR AUXILIARY EQUIPMENT MOUNTING FEATURES (BOTH SIDES). 10 LBS MAX
14. CENTER OF GRAVITY 0.2" (0.51 cm) IN THE X-DIRECTION, 6.9" (17.5 cm) IN THE Y-DIRECTION AND 1.7" (4.3 cm) IN THE Z-DIRECTION. X & Z MEASURED FROM THE CENTER OF THE 2.00" DIAMETER MOUNTING POLE
15. FOR PERMANENT INSTALLATIONS, IT IS RECOMMENDED THAT THE (2) INDICATED 5/16-18 THREADED KNOBS BE REPLACED WITH (2) 5/16-18 X 1.000" LONG STAINLESS STEEL HEX HEAD FASTENERS. HARDWARE PROVIDED WITH UNIT. TORQUE TO 132 IN-LBS
16. POSITIONER IS AT AZIMUTH PEDESTAL 0° WHEN INDICATED FASTENER IS AT POSITION SHOWN WITH CLAMPING KNOBS IN THE BACK AS SHOWN
17. POSITIONER CLAMPS TO STANDARD 2" OUTSIDE DIAMETER MAST (NOT INCLUDED). OPTIONAL MIDMOUNT KIT AVAILABLE TO ADAPT TO MAST DIAMETERS UP TO 6". GO TO www.qparusa.com TO LEARN MORE
18. 5/16" QUICK RELEASE PIN TO SECURE POSITIONER TO MAST AND PREVENT ROTATION
19. MOUNTING HOLES FOR OPTIONAL COUNTER WEIGHT KIT, P/N - ACC-N900281-1

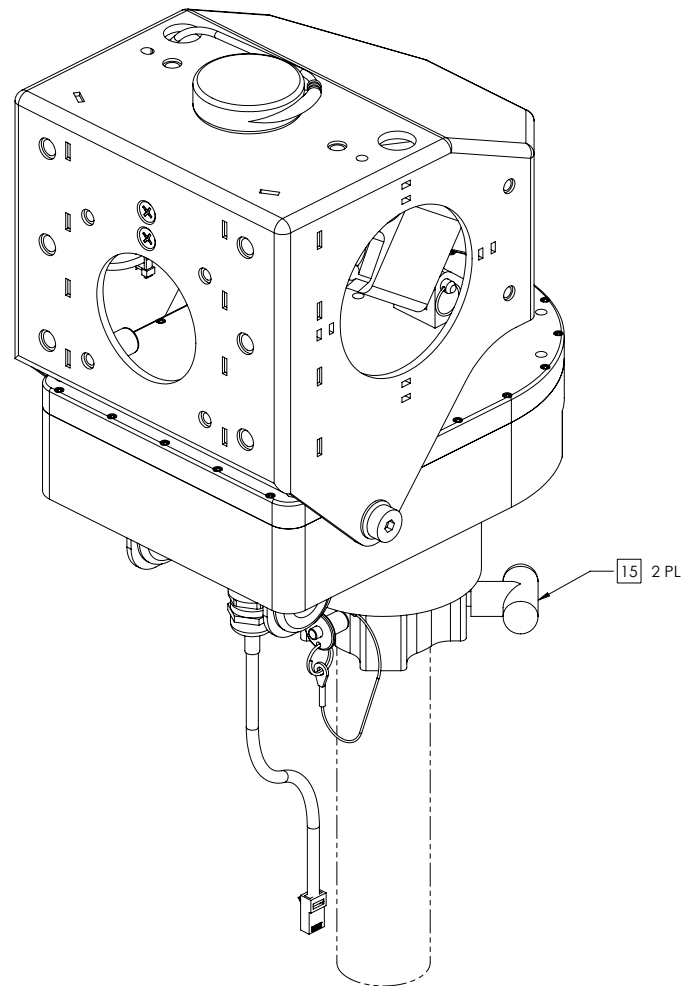
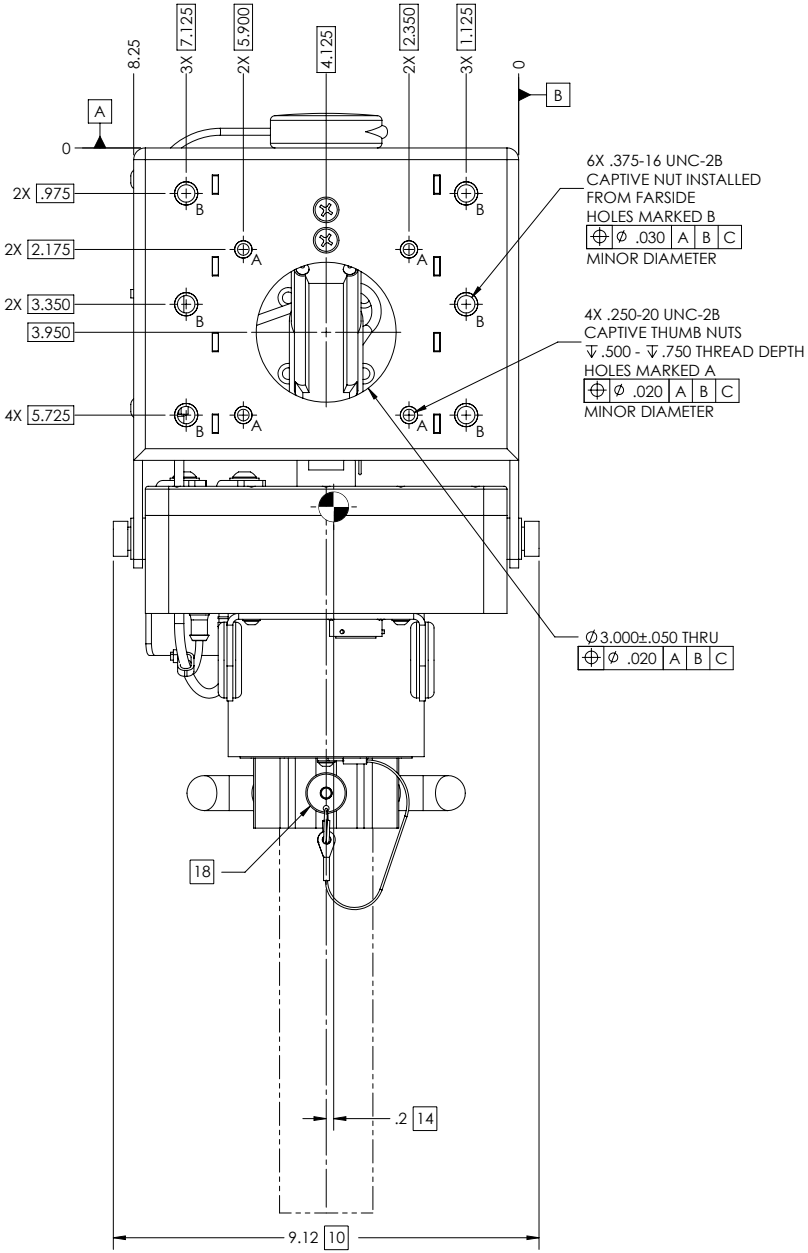


TABLE I	
BUILDING A PART NUMBER	STANDARD OPTIONS
LA-360RPT - 20 - 100	<<EXAMPLE
SHIELDED ETHERNET CABLE STANDARD LENGTHS	
050 = 50 ft	
100 = 100 ft	
150 = 150 ft	
200 = 200 ft	
250 = 250 ft	
300 = 300 ft	
XXX = Custom length in feet	
XXXG = Add "G" to end of cable length for unterminated mating connector	
CUSTOM CONFIGURATION	
= Standard options - leave blank	
MOTOR DRIVES AND PAYLOAD	
20 = Az 60 ft-lbs @ 2.2°/s, El 100 ft-lbs @ 2°/s, 90 lb payload. Typically paired with 2-3 ft antenna (+/-200° azimuth, +/-10° elevation)	
MODEL	
LA-360RPT = LinkAlign-360RPT (See motor drives and payload section for positioner travel range info)	

SYMBOL KEY <input type="checkbox"/> NOTE <input type="checkbox"/> PL ITEMS PROPRIETARY AND CONFIDENTIAL THE INFORMATION CONTAINED IN THIS DRAWING IS THE SOLE PROPERTY OF QPARUSA. ANY REPRODUCTION IN PART OR AS A WHOLE WITHOUT THE WRITTEN PERMISSION OF QPAR ANTENNAS USA IS PROHIBITED. QPAR ANTENNAS USA 11 C San Diego, CA 92220 www.qparusa.com	UNLESS OTHERWISE SPECIFIED: DIMENSIONS ARE IN INCHES TOLERANCES ANGLE ± .5 DEGREES TWO PLACE DECIMAL ±.030 THREE PLACE DECIMAL ±.010 INTERPRET DIM AND TOL PER ASME Y14.5M - 1994 THIRD ANGLE PROJECTION 	DRAWN S. CHEYNE 2014-01-07 CHECKED C. CHEYNE 2018-08-06 ME APPR. S. CHEYNE 2014-01-07 EE APPR.	QPAR ANTENNAS USA, LLC TITLE: QPAR LINKALIGN-360RPT-20 INTERFACE CONTROL DRAWING	
		PART NO. SEE TABLE I	SIZE ICG. NO. C	REV B
		SCALE 1:2	SHEET 1 OF 4	

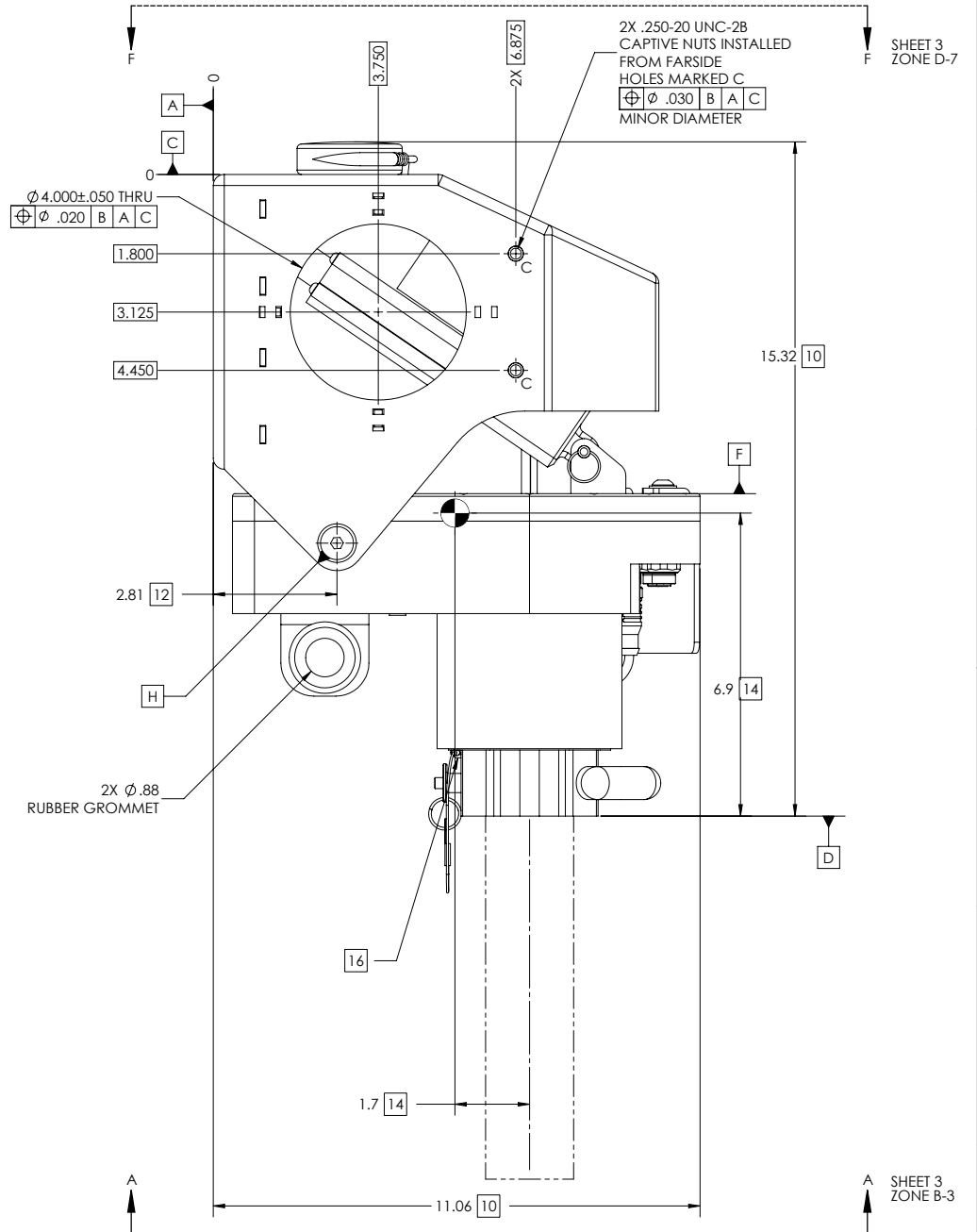
8 7 6 5 4 3 2 1

F
E
D
C
B
A



ANTENNA MOUNTING FEATURES

12



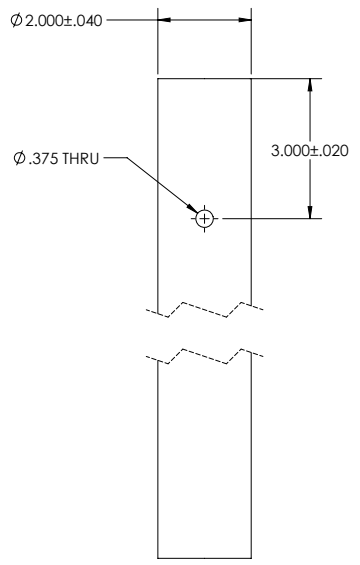
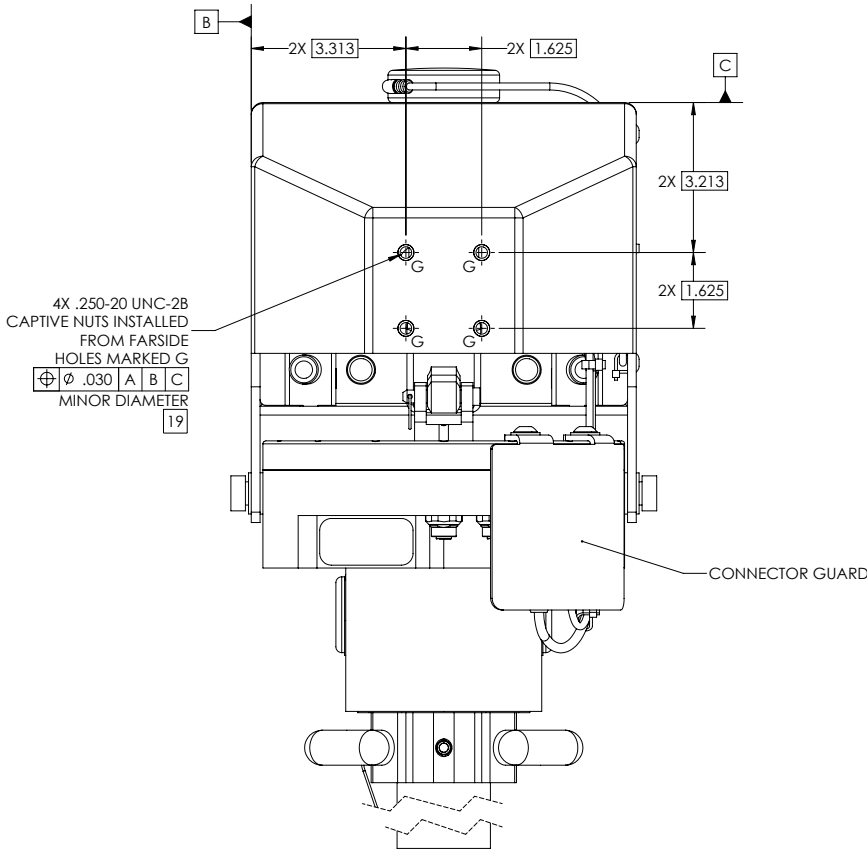
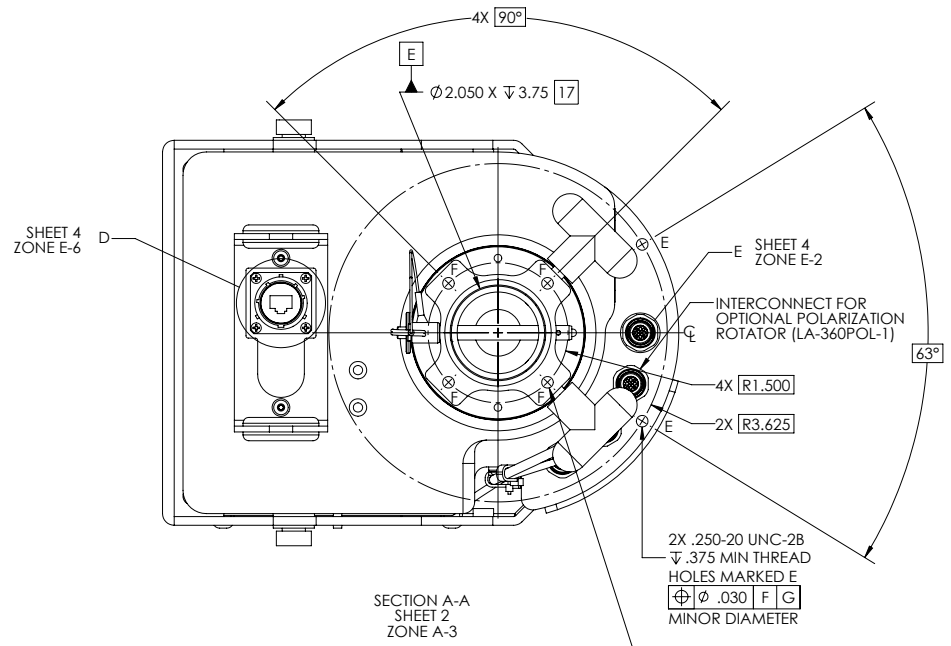
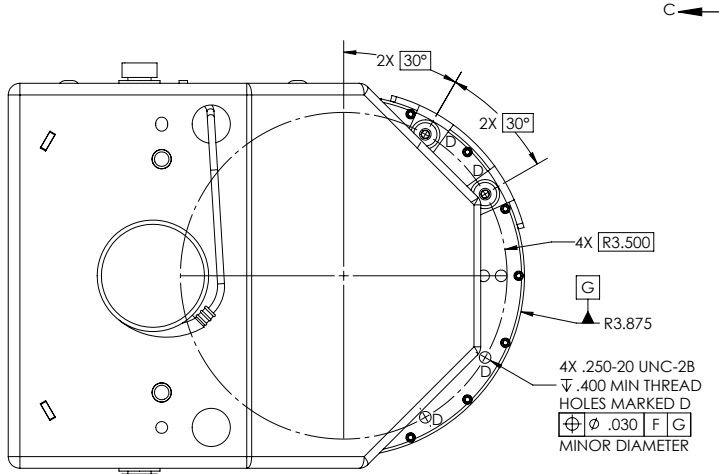
RADIO OR AUXILIARY EQUIPMENT MOUNTING FEATURES

13

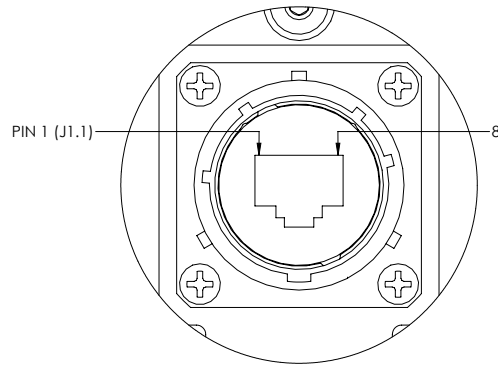
SHEET 3
ZONE D-7

SHEET 3
ZONE B-3

8 7 6 5 4 3 2 1



INTERCONNECT FOR POSITIONER PoE

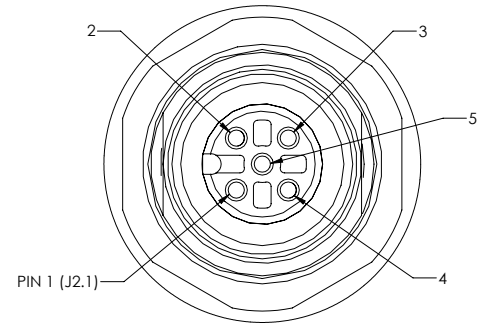


J1 CONNECTOR SHOWN FROM MATING SIDE
MATES WITH AMPHENOL P/N - RJF6B

DETAIL D
SCALE 2 : 1
SHEET 3
ZONE E-3
SEE TABLE II FOR PINOUT DETAILS

TABLE II (PoE CONNECTOR)	
CONNECTOR DESIGNATION	FUNCTION
J1.1	DATA PAIR 1
J1.2	DATA PAIR 1
J1.3	DATA PAIR 2
J1.4	+48-56VDC PoE POWER INPUT
J1.5	+48-56VDC PoE POWER INPUT
J1.6	DATA PAIR 2
J1.7	DC RETURN FOR PoE INPUT
J1.8	DC RETURN FOR PoE INPUT

INTERCONNECT FOR SERIAL INTERFACE



J2 CONNECTOR SHOWN FROM MATING SIDE
MATES WITH TURCK P/N - 8151-0/PG9

DETAIL E
SCALE 4 : 1
SHEET 3
ZONE E-2
SEE TABLE III FOR PINOUT DETAILS

TABLE III (SERIAL CONNECTOR)	
CONNECTOR DESIGNATION	FUNCTION
J2.1	DC RETURN FOR QPARUSA JOYSTICK
J2.2	NOT USED
J2.3	(B) TxD-/RxD- DATA LINE
J2.4	(A) TxD+/RxD+ DATA LINE
J2.5	DC POWER FOR QPARUSA JOYSTICK