

REV	DESCRIPTION	DATE	APPROVED
L	CN600564	2018-07-25	CLC

NOTES: UNLESS OTHERWISE SPECIFIED

1. QPAR LINKALIGN-360RPT-10 CONFIGURABLE OPTIONS PER TABLE I. PART NUMBER QLA-360RPT-10-100 SHOWN THROUGHOUT THIS DRAWING. PoE CABLE SHOWN NOT TO SCALE
2. USE INTERFACE CONTROL DRAWING IN CONJUNCTION WITH DATASHEET N500106
3. 48-56VDC POWER SUPPLY INCLUDED WITH POSITIONER. NOT SHOWN IN DRAWING
4. HARD COAT ANODIZE ALUMINUM CONSTRUCTION WITH STAINLESS STEEL HARDWARE
5. 400° (+/-200°) AZIMUTH TRAVEL WITH 4.5°/SEC DRIVE RATE (NO LOAD)
6. 20° (+/-10°) ELEVATION TRAVEL WITH 2.0°/SEC DRIVE RATE (NO LOAD)
7. -22° TO 140°F (-30° TO 60°C) OPERATIONAL TEMPERATURE RANGE. -40 TO 158°F (-40 TO 70°C) NON-OPERATIONAL TEMPERATURE RANGE
8. 0.1° FEEDBACK RESOLUTION IN ALL AXES
9. AZIMUTH BACKLASH LESS THAN 0.25°. ELEVATION BACKLASH LESS THAN 1°
- 10 15.22" (38.7 cm) HIGH X 8.69" (22.1 cm) WIDE X 10.63" (27.0 cm) DEEP. DIMENSIONS APPLY WHEN POSITIONER IS AT 0° AZIMUTH AND 0° ELEVATION ANGLES
11. WEIGHT APPROXIMATELY 17.4 LBS NOT INCLUDING PoE CABLE
- 12 PAYLOAD SHALL NOT EXCEED 45 LBS OR 40 FT-LBS OF TORQUE ABOUT THE ELEVATION AXIS. TO CALCULATE TORQUE, TAKE THE DISTANCE FROM THE PAYLOAD CENTER OF GRAVITY TO DATUM -H- IN FEET AND MULTIPLY BY THE PAYLOAD WEIGHT. SEVERAL ANTENNA BRACKET OPTIONS AVAILABLE THAT INTERFACE DIRECTLY WITH FEATURES SHOWN. GO TO [www.qparusa.com](http://www.qparusa.com) TO LEARN MORE
- 13 RADIO OR AUXILIARY EQUIPMENT MOUNTING FEATURES (BOTH SIDES). 10 LBS MAX
- 14 CENTER OF GRAVITY 0.1" (0.25 cm) IN THE X-DIRECTION, 6.4" (16.3 cm) IN THE Y-DIRECTION AND 1.6" (4.1 cm) IN THE Z-DIRECTION. X & Z MEASURED FROM THE CENTER OF THE 2.00" DIAMETER MOUNTING POLE
- 15 FOR PERMANENT INSTALLATIONS, IT IS RECOMMENDED THAT THE (2) INDICATED 5/16-18 THREADED KNOBS BE REPLACED WITH (2) 5/16-18 X 1.000" LONG STAINLESS STEEL HEX HEAD FASTENERS. HARDWARE PROVIDED WITH UNIT. TORQUE TO 132 IN-LBS
- 16 POSITIONER IS AT AZIMUTH PEDESTAL 0° WHEN INDICATED FASTENER IS AT POSITION SHOWN WITH CLAMPING KNOBS IN THE BACK AS SHOWN
- 17 POSITIONER CLAMPS TO STANDARD 2" OUTSIDE DIAMETER MAST (NOT INCLUDED). OPTIONAL MIDMOUNT KIT AVAILABLE TO ADAPT TO MAST DIAMETERS UP TO 6". GO TO [www.qparusa.com](http://www.qparusa.com) TO LEARN MORE
- 18 5/16" QUICK RELEASE PIN TO SECURE POSITIONER TO MAST AND PREVENT ROTATION
- 19 MOUNTING HOLES FOR OPTIONAL COUNTER WEIGHT KIT, P/N - ACC-N900281-1

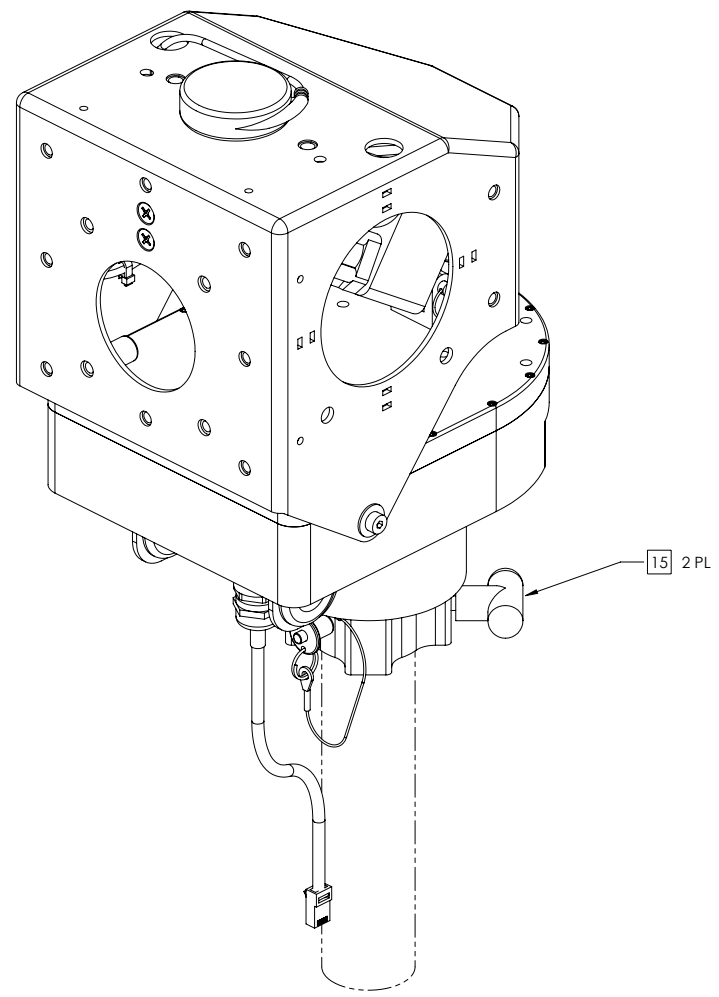
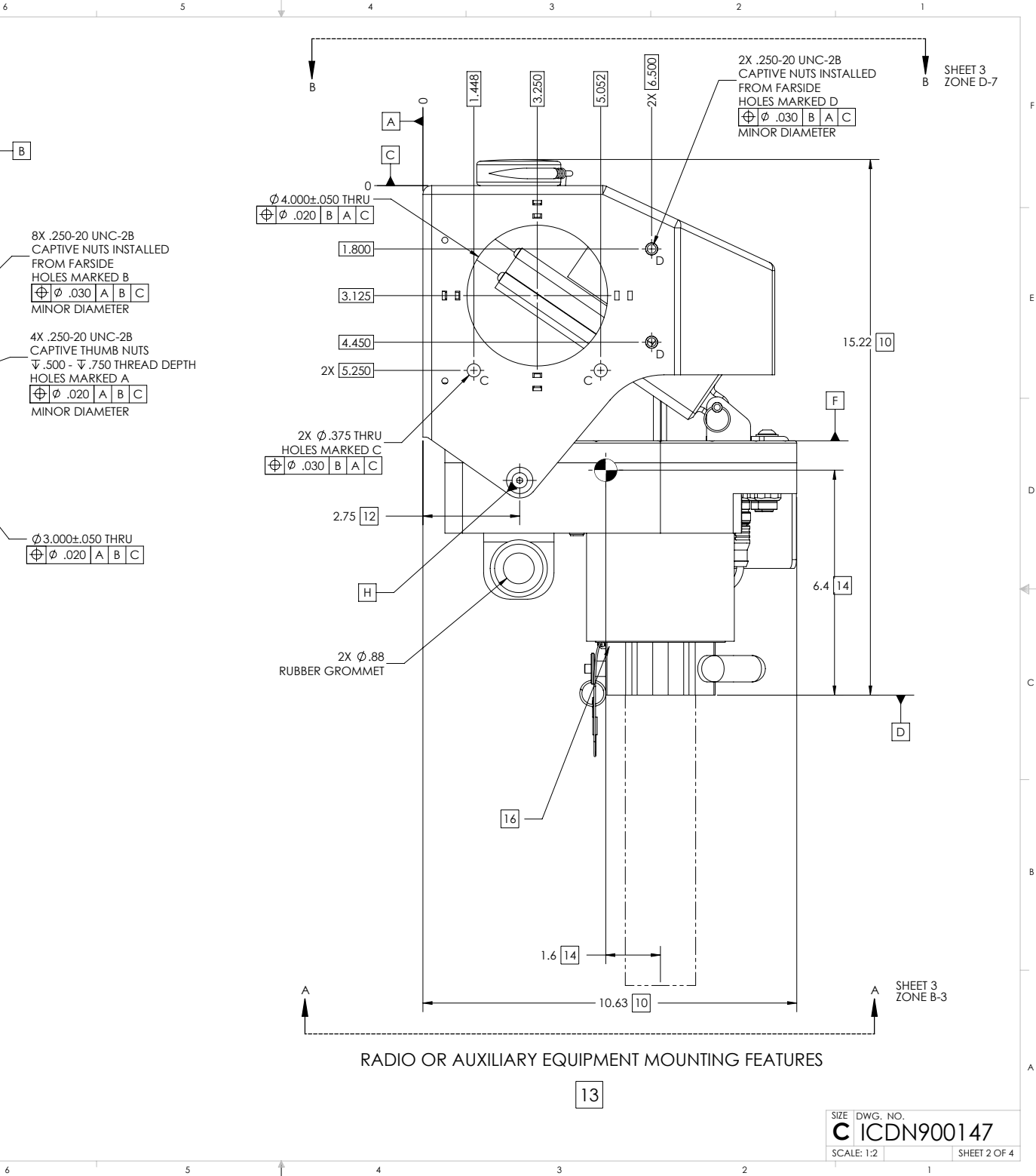
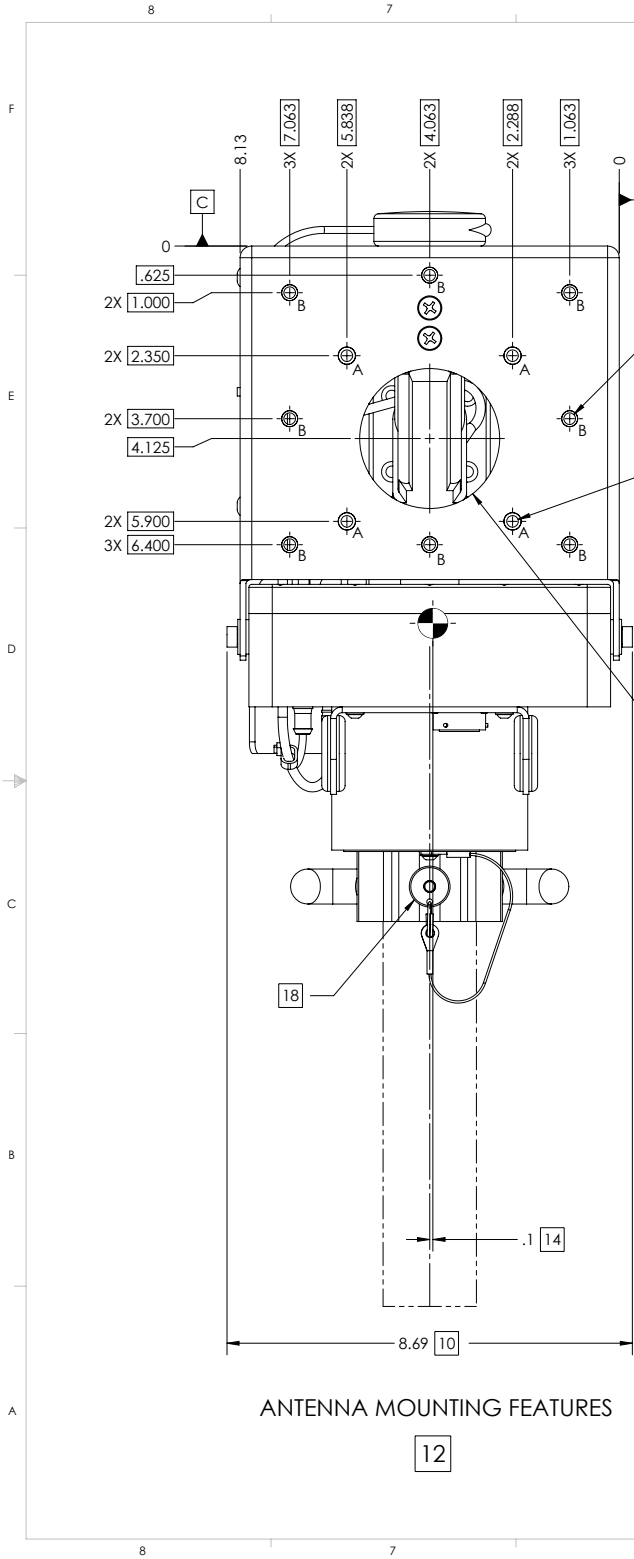


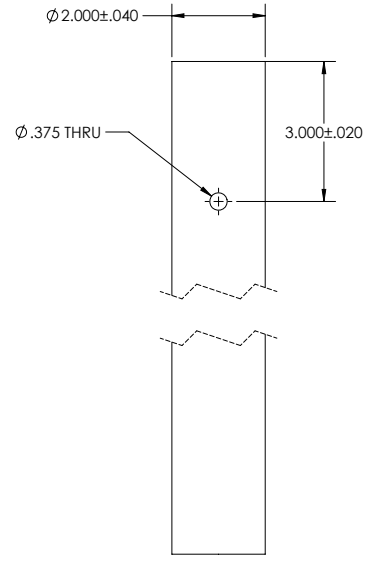
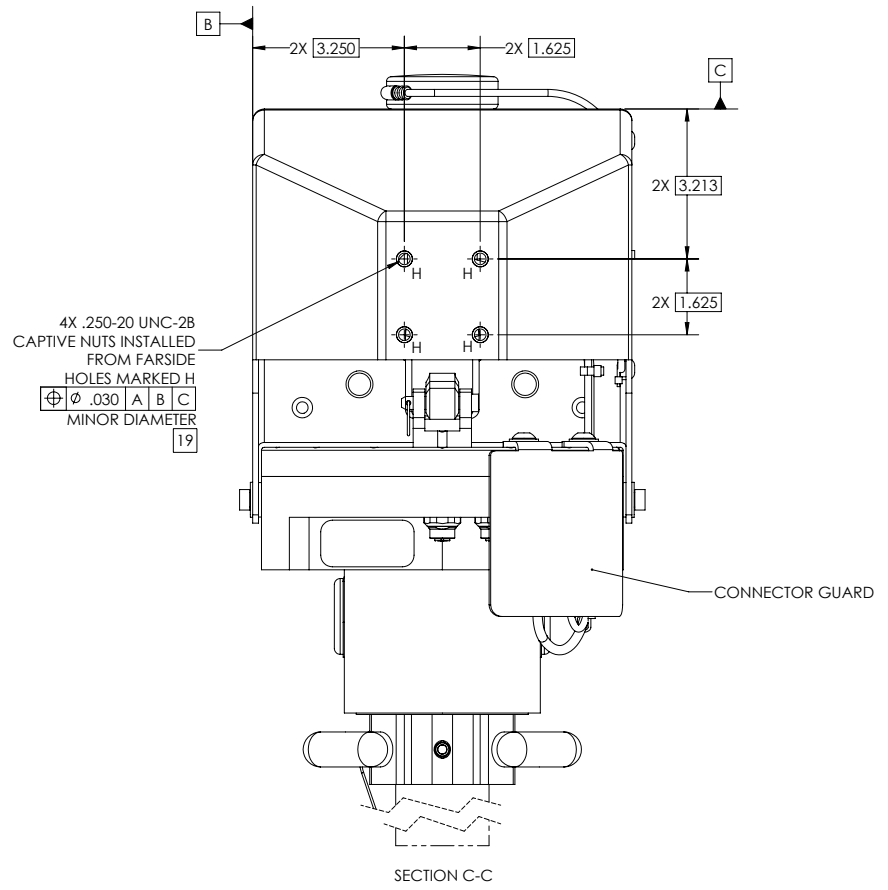
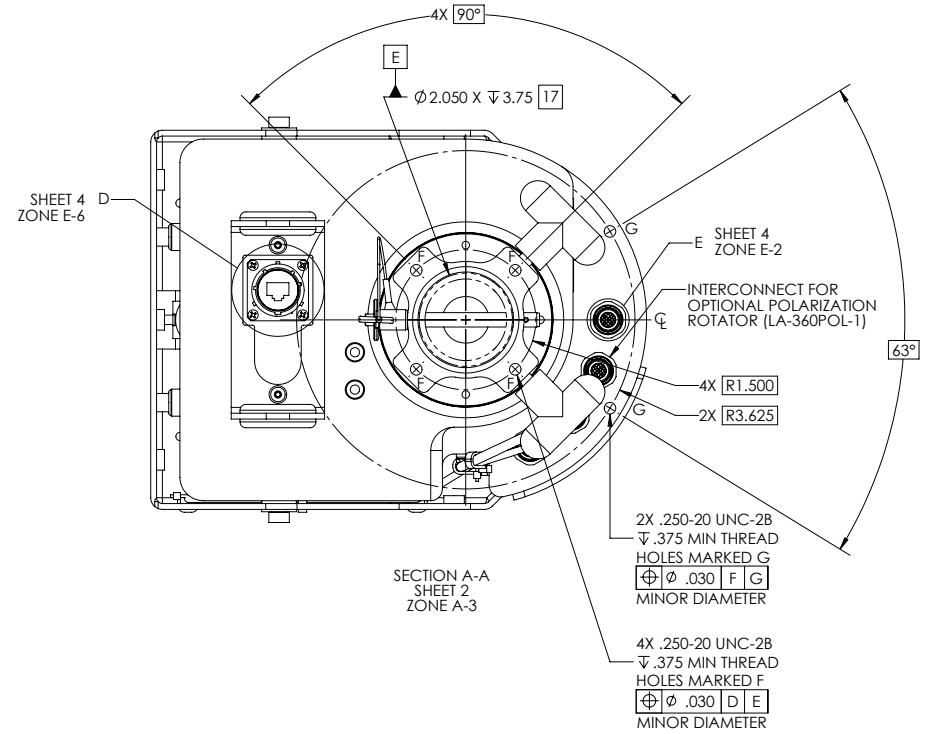
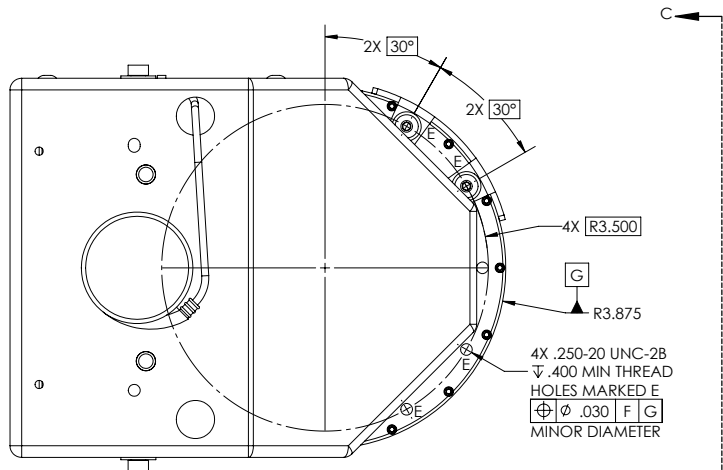
TABLE I	
BUILDING A PART NUMBER	STANDARD OPTIONS
LA-360RPT - 10 - 100	<<EXAMPLE
	<b>SHIELDED ETHERNET CABLE STANDARD LENGTHS</b>
	050 = 50 ft
	100 = 100 ft
	150 = 150 ft
	200 = 200 ft
	250 = 250 ft
	300 = 300 ft
	XXX = Custom length in feet
	XXXC = Add "C" to end of cable length for unterminated mating connector
	<b>CUSTOM CONFIGURATION</b>
	= Standard options - leave blank
	<b>MOTOR DRIVES AND PAYLOAD</b>
	10 = Az 20 ft-lbs @ 4.5°/s, El 40 ft-lbs @ 2°/s, 45 lb payload. Typically paired with 1-2 ft antenna (+/-22° azimuth, +/-10° elevation)
	<b>MODEL</b>
	LA-360RPT = LinkAlign-360RPT (See motor drives and payload section for positioner travel range info)

<b>SYMBOL KEY</b> <input type="checkbox"/> NOTE <input type="checkbox"/> PL ITEMS  <b>PROPRIETARY AND CONFIDENTIAL</b> THE INFORMATION CONTAINED IN THIS DRAWING IS THE SOLE PROPERTY OF QPARUSA. ANY REPRODUCTION IN PART OR AS A WHOLE WITHOUT THE WRITTEN PERMISSION OF QPAR ANTENNAS USA IS PROHIBITED.  QPAR ANTENNAS USA, LLC San Diego, CA 92020 <a href="http://www.qparusa.com">www.qparusa.com</a>	<b>UNLESS OTHERWISE SPECIFIED:</b> DIMENSIONS ARE IN INCHES TOLERANCES: ANGLE ± .5 DEGREES TWO PLACE DECIMAL ±.030 THREE PLACE DECIMAL ±.010  INTERPRET DIM AND TOL PER ASME Y14.5M - 1994  <b>THIRD ANGLE PROJECTION</b> 	DRAWN S. CHEYNE 2011-10-13 CHECKED C. CHEYNE 2018-07-25 ME APPR. S. CHEYNE 2011-10-13 EE APPR.	<b>QPAR ANTENNAS USA, LLC</b>  <b>TITLE:</b> QPAR LINKALIGN-360RPT-10 INTERFACE CONTROL DRAWING
		<b>PART NO.</b> <b>SEE TABLE I</b>	<b>SIZE</b> ICG. NO. <b>C</b>

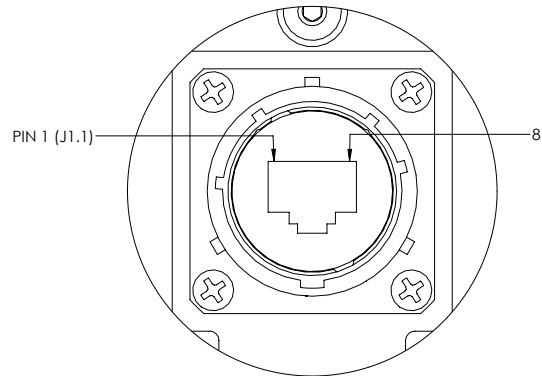


SHEET 3  
ZONE D-7

SHEET 3  
ZONE B-3



INTERCONNECT FOR POSITIONER PoE

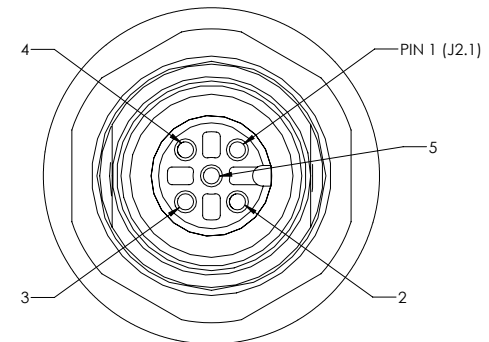


J1 CONNECTOR SHOWN FROM MATING SIDE  
MATES WITH AMPHENOL P/N - RJF6B

DETAIL D  
SCALE 2 : 1  
SHEET 3  
ZONE E-3  
SEE TABLE II FOR PINOUT DETAILS

TABLE II (PoE CONNECTOR)	
CONNECTOR DESIGNATION	FUNCTION
J1.1	DATA PAIR 1
J1.2	DATA PAIR 1
J1.3	DATA PAIR 2
J1.4	+48-56VDC PoE POWER INPUT
J1.5	+48-56VDC PoE POWER INPUT
J1.6	DATA PAIR 2
J1.7	DC RETURN FOR PoE INPUT
J1.8	DC RETURN FOR PoE INPUT

INTERCONNECT FOR SERIAL INTERFACE



J2 CONNECTOR SHOWN FROM MATING SIDE  
MATES WITH TURCK P/N - 8151-0/PG9

DETAIL E  
SCALE 4 : 1  
SHEET 3  
ZONE E-2  
SEE TABLE III FOR PINOUT DETAILS

TABLE III (SERIAL CONNECTOR)	
CONNECTOR DESIGNATION	FUNCTION
J2.1	DC RETURN FOR QPARUSA JOYSTICK
J2.2	NOT USED
J2.3	(B) TxD-/RxD- DATA LINE
J2.4	(A) TxD+/RxD+ DATA LINE
J2.5	DC POWER FOR QPARUSA JOYSTICK