

REV	DESCRIPTION	DATE	APPROVED
A	CN600564	2018-08-02	CLC

NOTES: UNLESS OTHERWISE SPECIFIED

1. QPAR LINKALIGN-360FER-30 CONFIGURABLE OPTIONS PER TABLE I. PART NUMBER QLA-360FER-30-100 SHOWN THROUGHOUT THIS DRAWING. PoE CABLE SHOWN NOT TO SCALE
2. USE INTERFACE CONTROL DRAWING IN CONJUNCTION WITH DATASHEET N500148
3. 48 - 56VDC POWER SUPPLY INCLUDED WITH POSITIONER. NOT SHOWN IN DRAWING
4. HARD COAT ANODIZE ALUMINUM CONSTRUCTION WITH STAINLESS STEEL HARDWARE
5. 400° (+/-200°) AZIMUTH TRAVEL WITH 2.2°/SEC DRIVE RATE (NO LOAD)
6. 140° (+120°/-20°) ELEVATION TRAVEL WITH 1.1°/SEC DRIVE RATE (NO LOAD)
7. -22° TO 140°F (-30° TO 60°C) OPERATIONAL TEMPERATURE RANGE. -40 TO 158°F (-40 TO 70°C) NON-OPERATIONAL TEMPERATURE RANGE
8. 0.1° FEEDBACK RESOLUTION IN ALL AXES
9. AZIMUTH AND ELEVATION BACKLASH LESS THAN 0.15°
- 10 13.33" (33.9 cm) HIGH X 8.58" (21.8 cm) WIDE X 12.38" (31.4 cm) DEEP. DIMENSIONS APPLY WHEN POSITIONER IS AT 0° AZIMUTH AND 0° ELEVATION ANGLES
11. WEIGHT APPROXIMATELY 24.7 LBS (11.2 kg) NOT INCLUDING PoE CABLE
- 12 PAYLOAD SHALL NOT EXCEED 70 LBS OR 90 FT-LBS OF TORQUE ABOUT THE ELEVATION AXIS. TO CALCULATE TORQUE, TAKE THE DISTANCE FROM THE PAYLOAD CENTER OF GRAVITY TO DATUM -H- IN FEET AND MULTIPLY BY THE PAYLOAD WEIGHT. SEVERAL ANTENNA BRACKET OPTIONS AVAILABLE THAT INTERFACE DIRECTLY WITH FEATURES SHOWN. GO TO www.qparusa.com TO LEARN MORE
- 13 RADIO OR AUXILIARY MOUNTING HOLES (BOTH SIDES). 30 LBS MAX. IF MOUNTED TO THE ELEVATION BRACKET, TOTAL PAYLOAD (INCLUDING ANTENNA) MUST NOT EXCEED 60 FT-LBS
- 14 CENTER OF GRAVITY 0.1" (0.25 cm) IN THE X-DIRECTION, 6.6" (16.8 cm) IN THE Y-DIRECTION AND 0.6" (1.5 cm) IN THE Z-DIRECTION. X & Z MEASURED FROM THE CENTER OF THE 2.00" DIAMETER MOUNTING POLE
- 15 FOR PERMANENT INSTALLATIONS, IT IS RECOMMENDED THAT THE (2) INDICATED 5/16-18 THREADED KNOBS BE REPLACED WITH (2) 5/16-18 X 1.000" LONG STAINLESS STEEL HEX HEAD FASTENERS. HARDWARE PROVIDED WITH UNIT. TORQUE TO 132 IN-LBS
- 16 POSITIONER IS AT AZIMUTH PEDESTAL 0° WHEN INDICATED FASTENER IS AT POSITION SHOWN WITH CLAMPING KNOBS IN THE BACK AS SHOWN
- 17 POSITIONER CLAMPS TO STANDARD 2" OUTSIDE DIAMETER MAST (NOT INCLUDED). OPTIONAL MIDMOUNT KIT AVAILABLE TO ADAPT TO MAST DIAMETERS UP TO 6". GO TO www.qparusa.com TO LEARN MORE
- 18 5/16" QUICK RELEASE PIN TO SECURE POSITIONER TO MAST AND PREVENT ROTATION

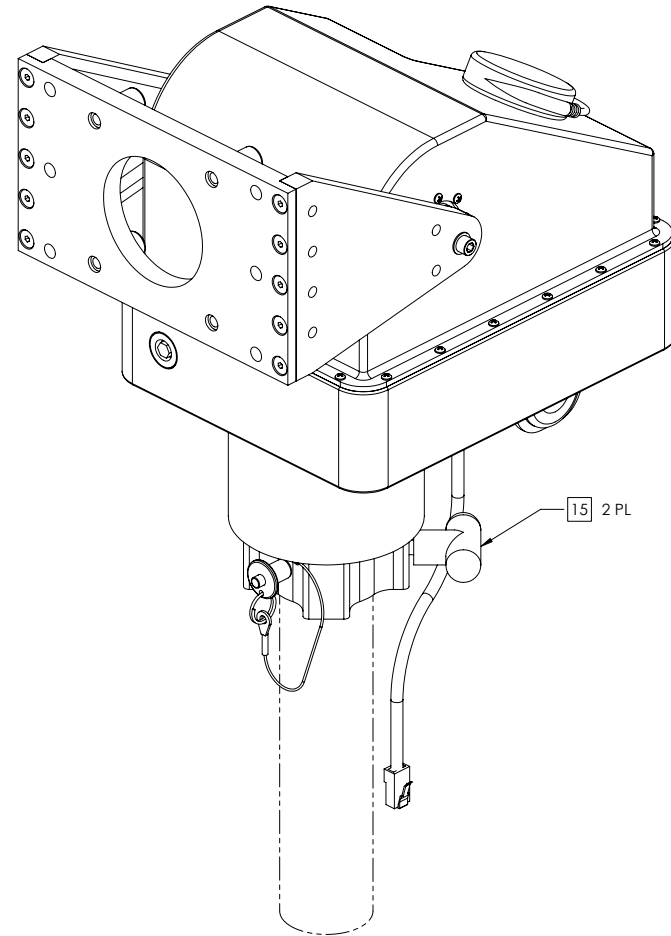
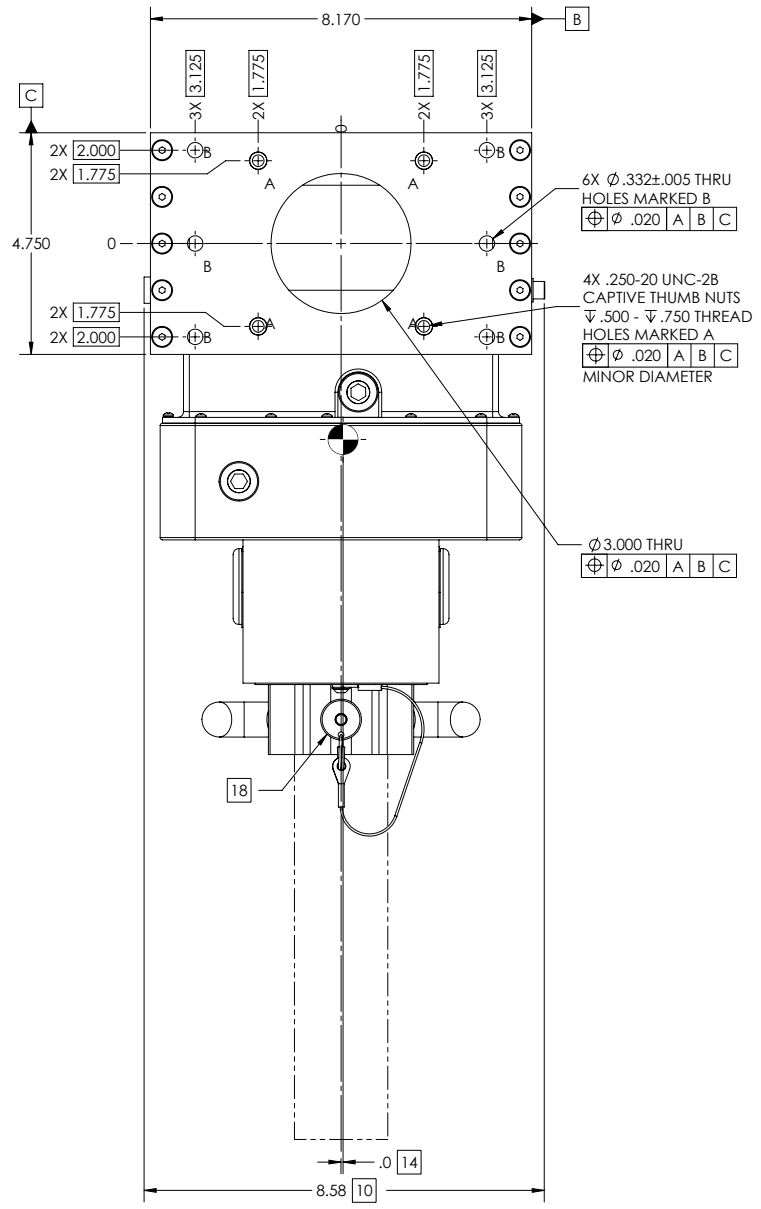


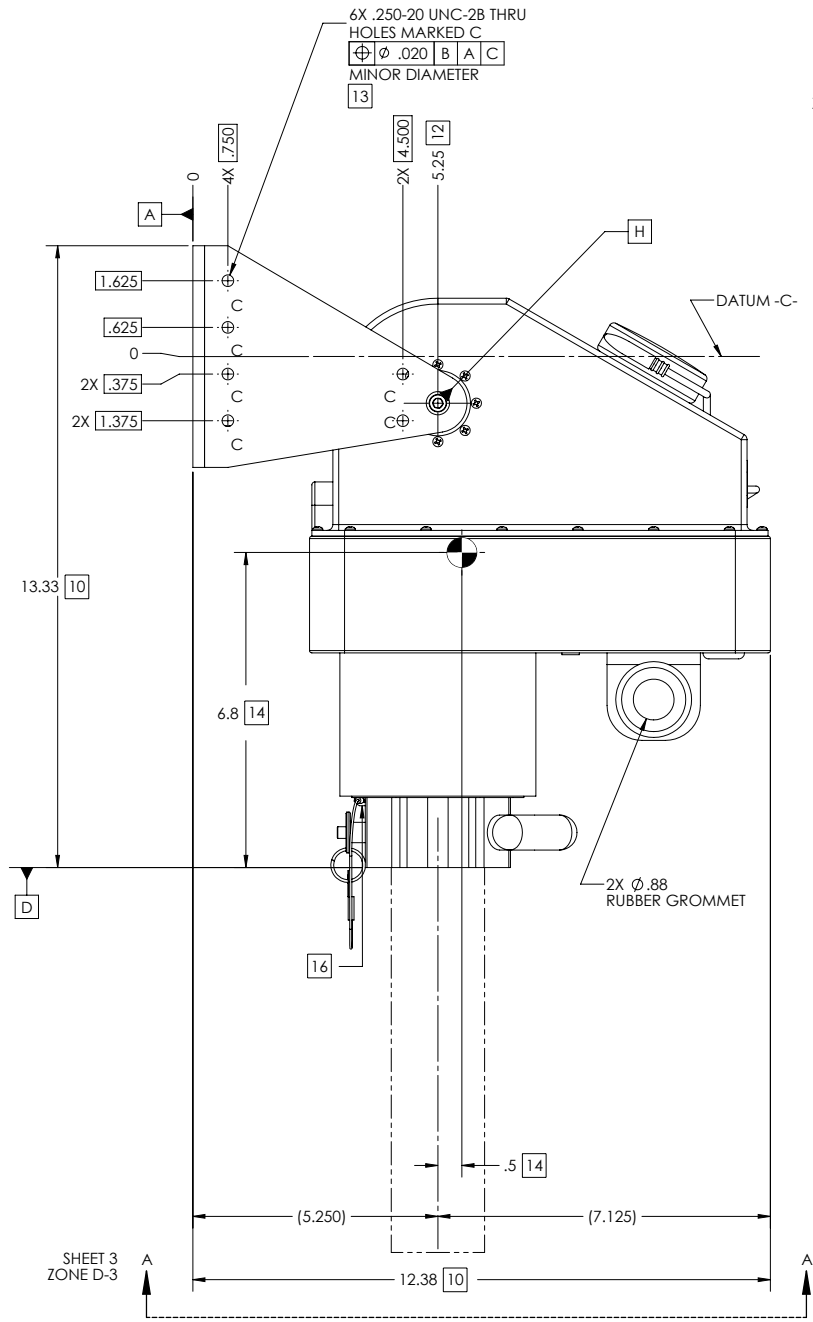
TABLE I	
BUILDING A PART NUMBER	STANDARD OPTIONS
LA-360FER - 30 - 100	<<EXAMPLE
	SHIELDED ETHERNET CABLE STANDARD LENGTHS
	050 = 50 ft
	100 = 100 ft
	150 = 150 ft
	200 = 200 ft
	250 = 250 ft
	300 = 300 ft
	XXX = Custom length in feet
	XXXC = Add "C" to end of cable length for unterminated mating connector
	CUSTOM CONFIGURATION
	= Standard options - leave blank
	MOTOR DRIVES AND PAYLOAD
	30 = Az 60 ft-lbs @ 2.2°/s, El 90 ft-lbs @ 1.1°/s, 70 lb payload. Typically paired with 2-3 ft antenna
	MODEL
	LA-360FER = LinkAlign-360FER (+/-200° azimuth, +120/-20° elevation)

SYMBOL KEY		UNLESS OTHERWISE SPECIFIED:		DRAWN	S. CHEYNE	2015-10-15	QPAR ANTENNAS USA, LLC
□	NOTE	○	PL ITEMS	CHECKED	C. CHEYNE	2018-08-02	
PROPRIETARY AND CONFIDENTIAL THE INFORMATION CONTAINED IN THIS DRAWING IS THE SOLE PROPERTY OF QPARUSA. ANY REPRODUCTION IN PART OR AS A WHOLE WITHOUT THE WRITTEN PERMISSION OF QPAR ANTENNAS USA IS PROHIBITED.		DIMENSIONS ARE IN INCHES TOLERANCES ANGLE ± .5 DEGREES TWO PLACE DECIMAL ±.030 THREE PLACE DECIMAL ±.010 INTERPRET DIM AND TOL PER ASME Y14.5M - 1994		ME APPR.	S. CHEYNE	2015-10-15	
QPAR ANTENNAS USA, LLC San Diego, CA 92020 www.qparusa.com		THIRD ANGLE PROJECTION DO NOT SCALE DRAWING		PART NO.	SEE TABLE I		
				SIZE	I Dwg. NO.		REV
				SCALE: 1:2	C		QPAR LINKALIGN-360FER-30 INTERFACE CONTROL DRAWING
						ICN900529	A
						SHEET 1 OF 4	



ANTENNA MOUNTING FEATURES

12

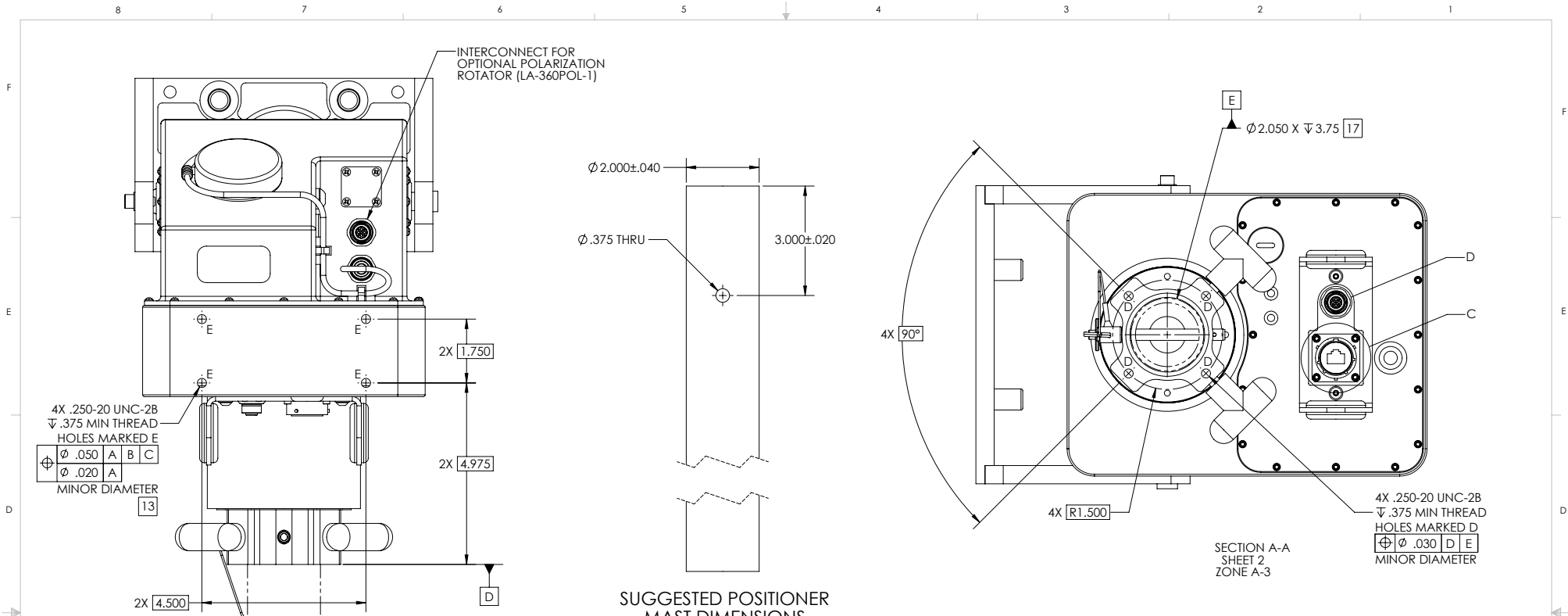


RADIO OR AUXILIARY MOUNTING FEATURES

13

SHEET 3
ZONE B-7

SHEET 3
ZONE D-3



17

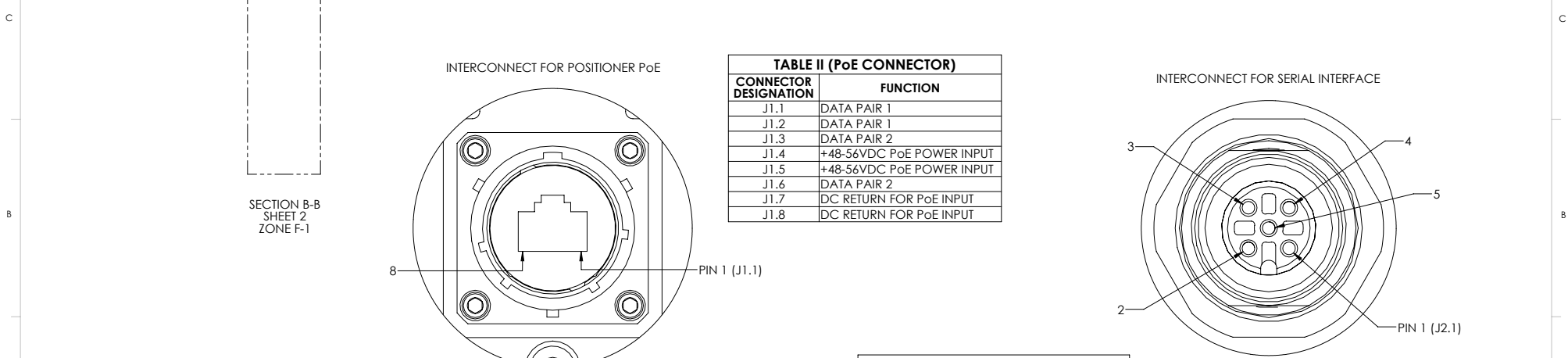


TABLE II (PoE CONNECTOR)

CONNECTOR DESIGNATION	FUNCTION
J1.1	DATA PAIR 1
J1.2	DATA PAIR 1
J1.3	DATA PAIR 2
J1.4	+48-56VDC PoE POWER INPUT
J1.5	+48-56VDC PoE POWER INPUT
J1.6	DATA PAIR 2
J1.7	DC RETURN FOR PoE INPUT
J1.8	DC RETURN FOR PoE INPUT

TABLE III (SERIAL CONNECTOR)

CONNECTOR DESIGNATION	FUNCTION
J2.1	DC RETURN FOR QPARUSA JOYSTICK
J2.2	NOT USED
J2.3	(B) TxD-/RxD- DATA LINE
J2.4	(A) TxD+/RxD+ DATA LINE
J2.5	DC POWER FOR QPARUSA JOYSTICK

SECTION B-B SHEET 2 ZONE F-1

J1 CONNECTOR SHOWN FROM MATING SIDE MATES WITH AMPHENOL P/N - RJF6B

DETAIL C SCALE 2 : 1 SEE TABLE II FOR PINOUT DETAILS

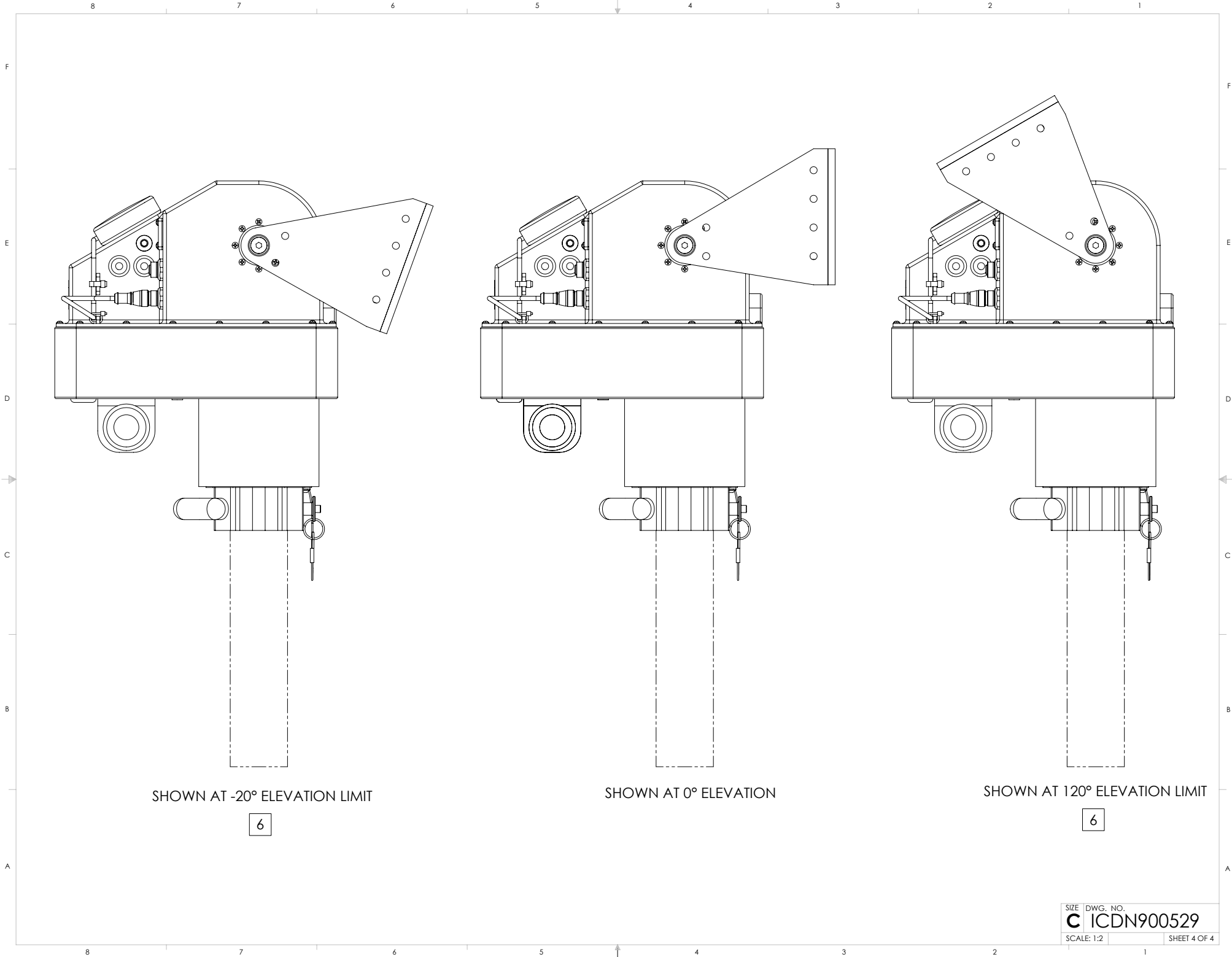
J2 CONNECTOR SHOWN FROM MATING SIDE MATES WITH TURCK P/N - 8151-0/PG9

DETAIL D SCALE 4 : 1 SEE TABLE III FOR PINOUT DETAILS

SCALE: 1:2

SHEET 3 OF 4

ICDN900529



SHOWN AT -20° ELEVATION LIMIT

6

SHOWN AT 0° ELEVATION

SHOWN AT 120° ELEVATION LIMIT

6