

REV	DESCRIPTION	DATE	APPROVED
B	IR800531	2019-02-06	CLC

NOTES: UNLESS OTHERWISE SPECIFIED

1. QPAR LINKALIGN-360MPT-40 CONFIGURABLE OPTIONS PER TABLE I. SHOWN WITHOUT COUNTERWEIGHTS. QPAR LINKALIGN-360MPT-40 SUPPLIED WITH 60 LBS OF COUNTERWEIGHTS (EQUIVALENT TO 60 FT-LBS OF TORQUE)
2. USE INTERFACE CONTROL DRAWING IN CONJUNCTION WITH DATASHEET N500159
3. SEE TABLE II FOR AVAILABLE QPAR LINKALIGN-360MPT-40 ACCESSORY OPTIONS
4. 48VDC POWER SUPPLY INCLUDED WITH POSITIONER. NOT SHOWN IN DRAWING
5. HARD COAT ANODIZE ALUMINUM CONSTRUCTION WITH STAINLESS STEEL HARDWARE
6. 400° (+/-200°) AZIMUTH TRAVEL WITH 12°/SEC DRIVE RATE (NO LOAD)
7. 180° (+/-90°) ELEVATION TRAVEL WITH 7°/SEC DRIVE RATE (NO LOAD)
8. -22° TO 140°F (-30° TO 60°C) OPERATIONAL TEMPERATURE RANGE. -40 TO 158°F (-40 TO 70°C) NON-OPERATIONAL TEMPERATURE RANGE
9. 0.1° FEEDBACK RESOLUTION IN ALL AXES
10. AZIMUTH AND ELEVATION BACKLASH LESS THAN 0.1°
- 11 21.38" (54.3 cm) HIGH X 11.50" (29.2 cm) WIDE X 16.00" (40.6 cm) DEEP. DIMENSIONS APPLY WHEN POSITIONER IS AT 0° AZIMUTH AND 0° ELEVATION ANGLES
12. WEIGHT APPROXIMATELY 99 LBS (44.9 kg)
13. PAYLOAD SHALL NOT EXCEED 200 LB (90.7 kg) (INCLUDING COUNTERWEIGHTS) OR 40 FT-LBS OF TORQUE ABOUT THE ELEVATION AXIS. EFFORT SHOULD BE MADE TO BALANCE ELEVATION PAYLOAD AS MUCH AS POSSIBLE BY USING THE (6) 10 LB COUNTERWEIGHTS PROVIDED. TO CALCULATE TORQUE, TAKE THE DISTANCE FROM THE PAYLOAD CENTER OF GRAVITY TO DATUM -B- IN FEET AND MULTIPLY BY THE PAYLOAD WEIGHT. POSITIONER IS BACKDRIVABLE WHEN NOT POWERED UP OR IN STANDBY MODE. ELEVATION HOLDING TORQUE IN THIS STATE IS 20 FT-LBS
- 14 TABLE TOP MOUNTING HOLES
- 15 CENTER OF GRAVITY 0.2" (0.5 cm) IN THE X-DIRECTION, 9.2" (23.4 cm) IN THE Y-DIRECTION AND 0.2" (0.5 cm) IN THE Z-DIRECTION

NOTES CONTINUED ON SHEET 6

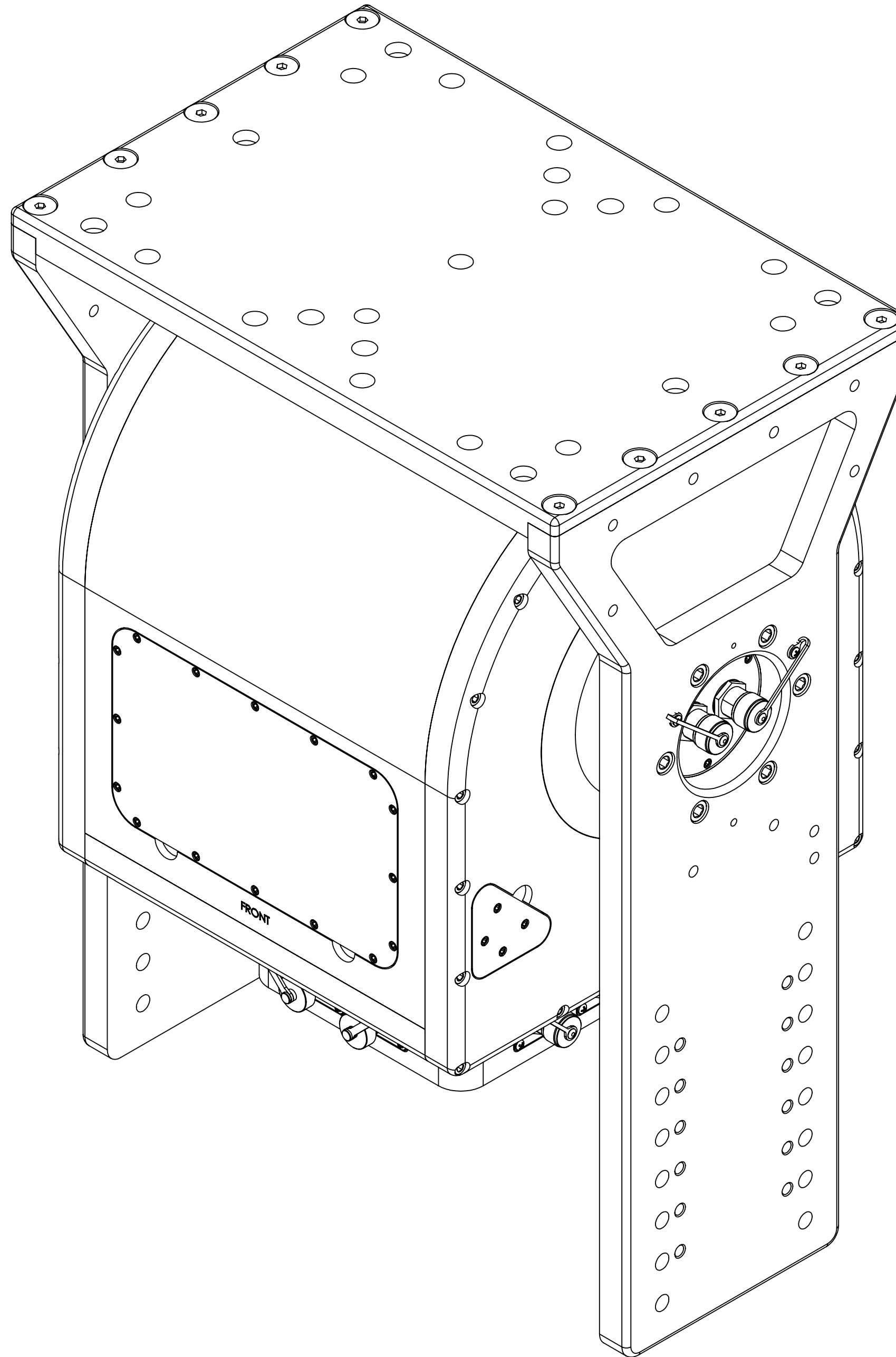


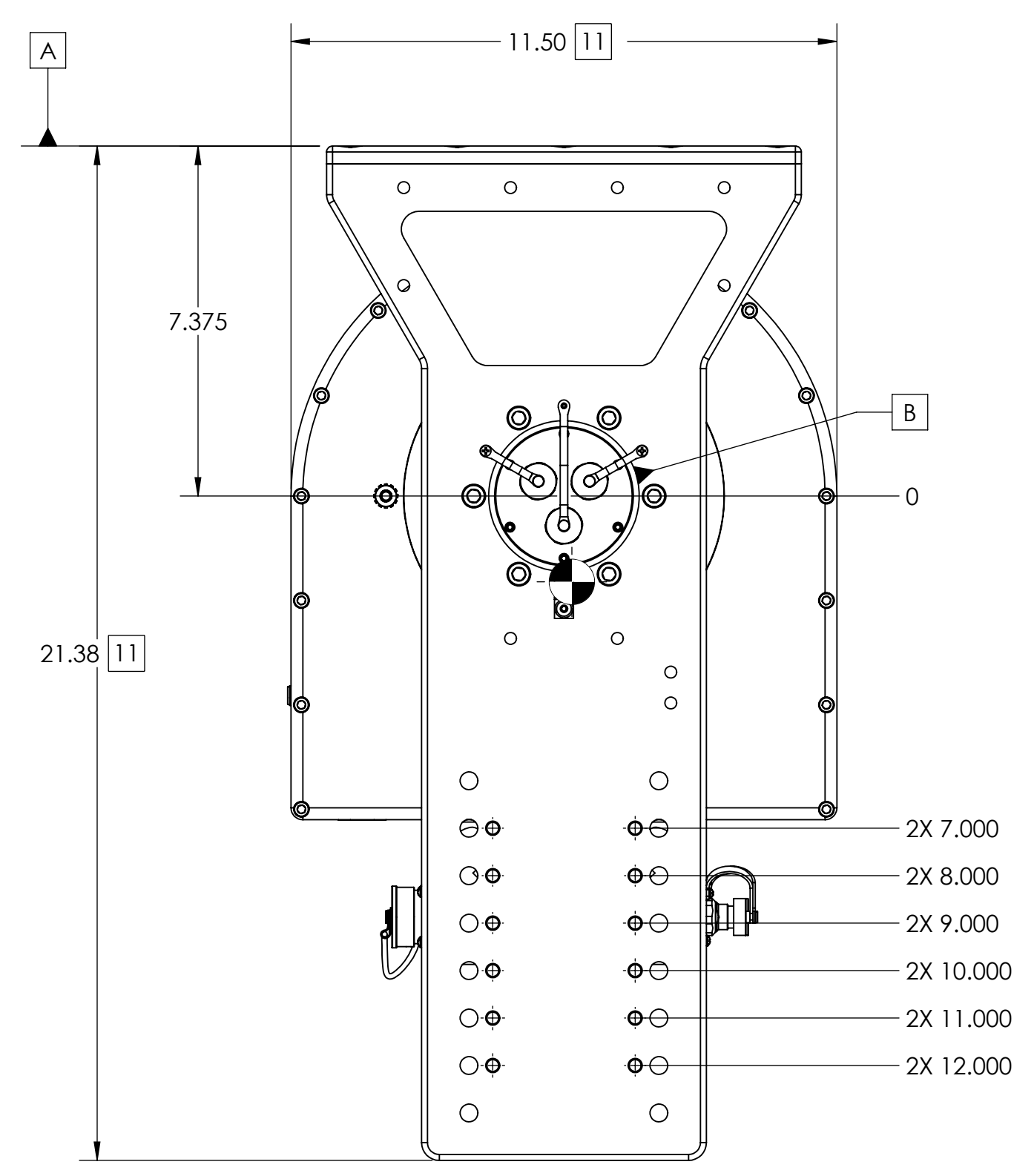
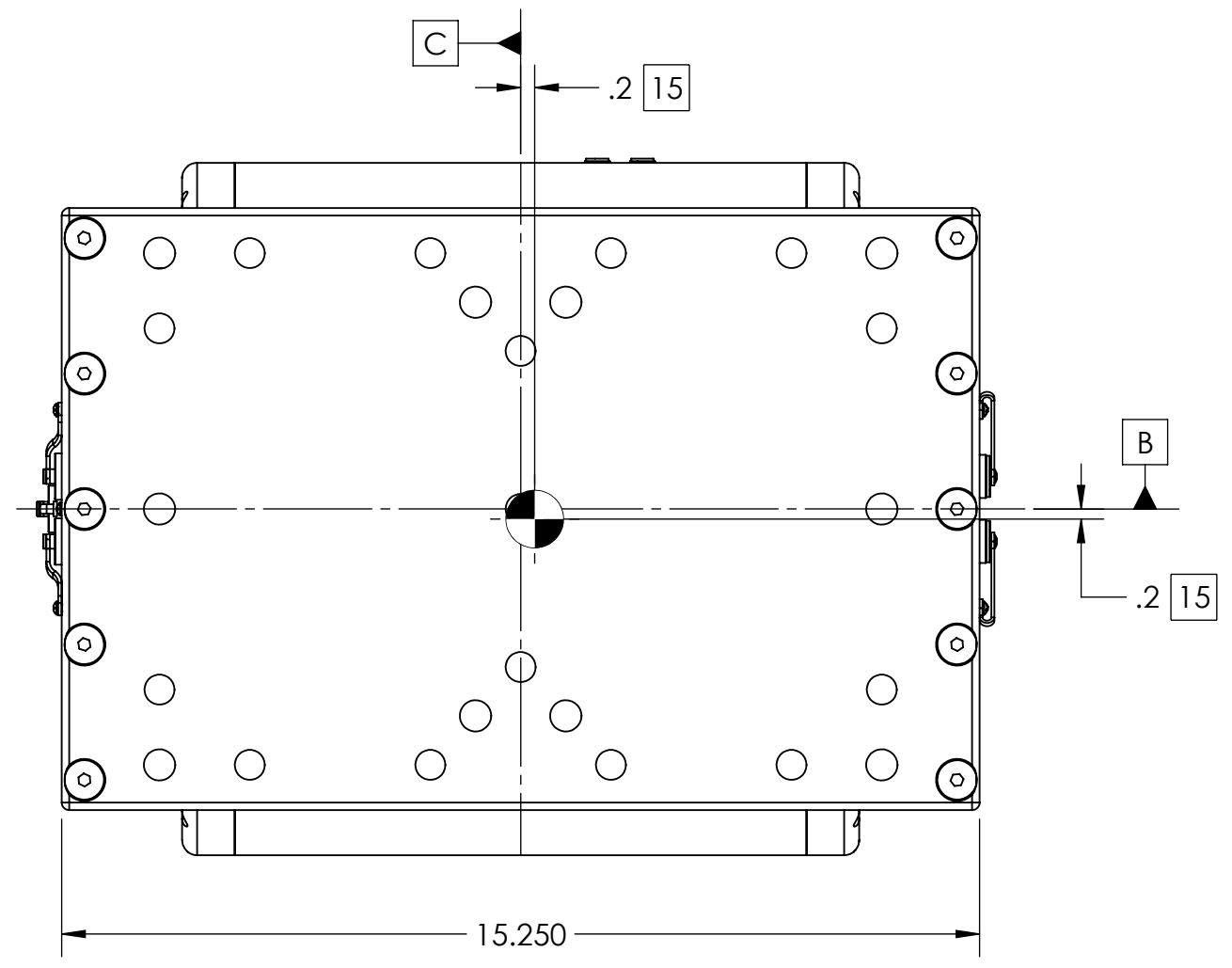
TABLE I	
BUILDING A PART NUMBER	STANDARD OPTIONS
LA-360MPT - 40 - - 100	<<EXAMPLE
	SHIELDED ETHERNET CABLE STANDARD LENGTHS
	050 = 50 ft
	100 = 100 ft
	150 = 150 ft
	200 = 200 ft
	250 = 250 ft
	300 = 300 ft
	XXX = Custom length in feet
	XXXC = Add "C" to end of cable length for unterminated mating connector
	CUSTOM CONFIGURATION
	= Standard options - leave blank
	MOTOR DRIVES AND PAYLOAD
	40 =
	Az 25 ft-lbs @ 12°/s, El 40 ft-lbs @ 7°/s, 200 lb payload. Typically paired with 3-6 ft antenna (+/-200° azimuth, +/-90° elevation)
	MODEL
	LA-360MPT = LinkAlign-360MPT (See motor drives and payload section for positioner travel range info)

TABLE II (MPT-40 ACCESSORY OPTIONS)		
ACCESSORY DESCRIPTION	ACCESSORY PART NUMBER	ACCESSORY ICD
RISER ASSEMBLY, MPT-40	ACC-N900553-XX	ICDN900553
CROSS ELEVATION DRIVE ASSEMBLY KIT, MPT-40	ACC-N900555-1	ICDN900555
QUADPOD, MPT-40	ACC-N900577-1	ICDN900577
TRANSIT CASE, MPT-40	TC-LA-360MPT-40-1	N/A

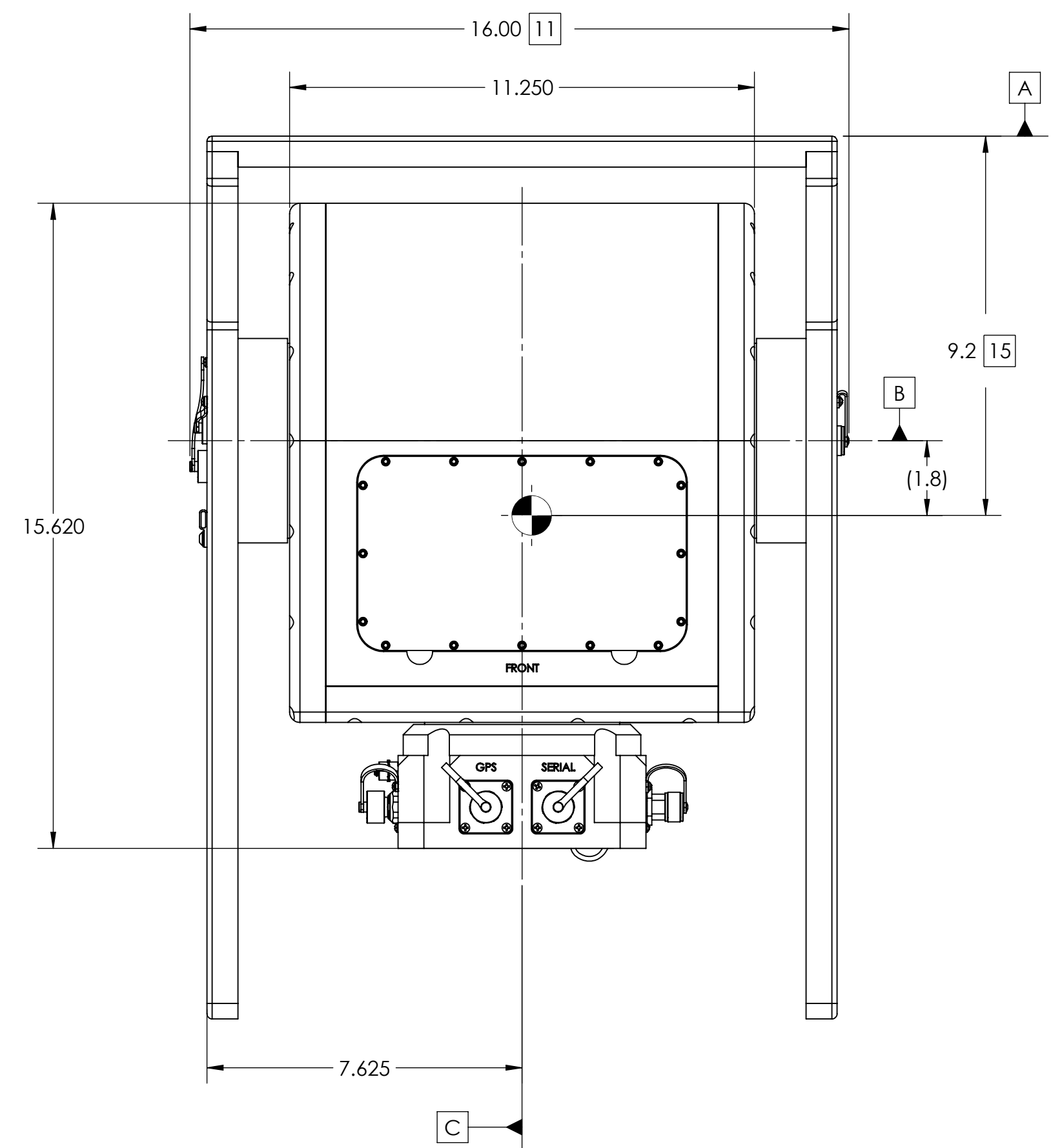
SYMBOL KEY		UNLESS OTHERWISE SPECIFIED:		DRAWN		C. CHEYNE		2019-02-06				
□	NOTE	○	PL ITEMS	CHECKED	S. CHEYNE	2019-02-06	QPAR ANTENNAS USA, LLC					
PROPRIETARY AND CONFIDENTIAL THE INFORMATION CONTAINED IN THIS DRAWING IS THE SOLE PROPERTY OF QPARUSA. ANY REPRODUCTION IN PART OR AS A WHOLE WITHOUT THE WRITTEN PERMISSION OF QPAR ANTENNAS USA IS PROHIBITED.				ME APPR.	S. CHEYNE	2019-02-06	TITLE: QPAR LINKALIGN-360MPT-40 INTERFACE CONTROL DRAWING					
				EE APPR.						SIZE	DWG. NO.	REV
				INTERPRET DIM AND TOL PER ASME Y14.5M - 1994						THIRD ANGLE PROJECTION	PART NO.	SCALE: 1:2
DIMENSIONS ARE IN INCHES TOLERANCES: ANGLE ± 5 DEGREES TWO PLACE DECIMAL ±.030 THREE PLACE DECIMAL ±.010				DO NOT SCALE DRAWING		SEE TABLE I		C ICDN900607 B				
QPAR ANTENNAS USA, LLC LAS VEGAS, NV 89121 www.qparusa.com												

8 7 6 5 4 3 2 1

F
E
D
C
B
A

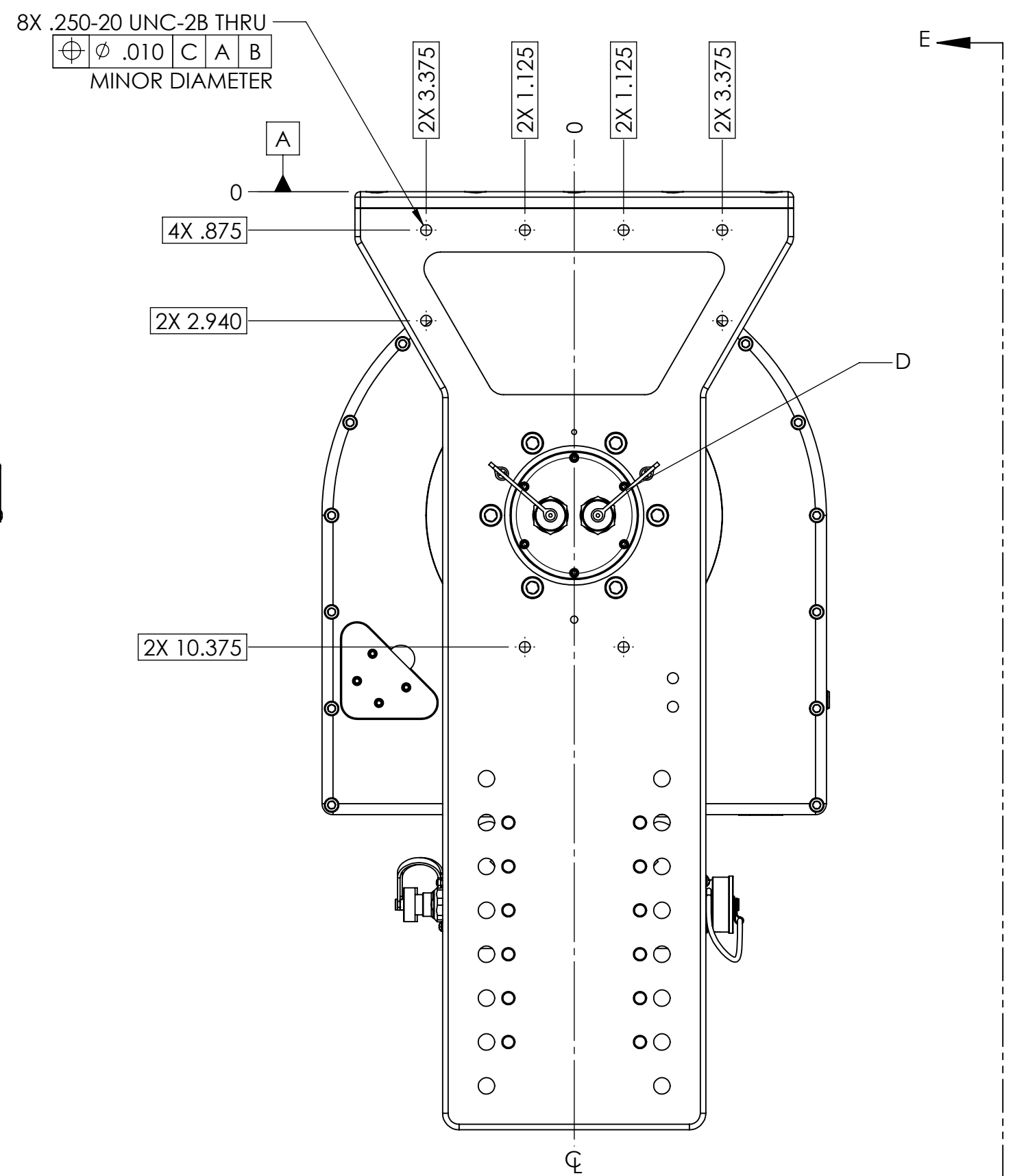
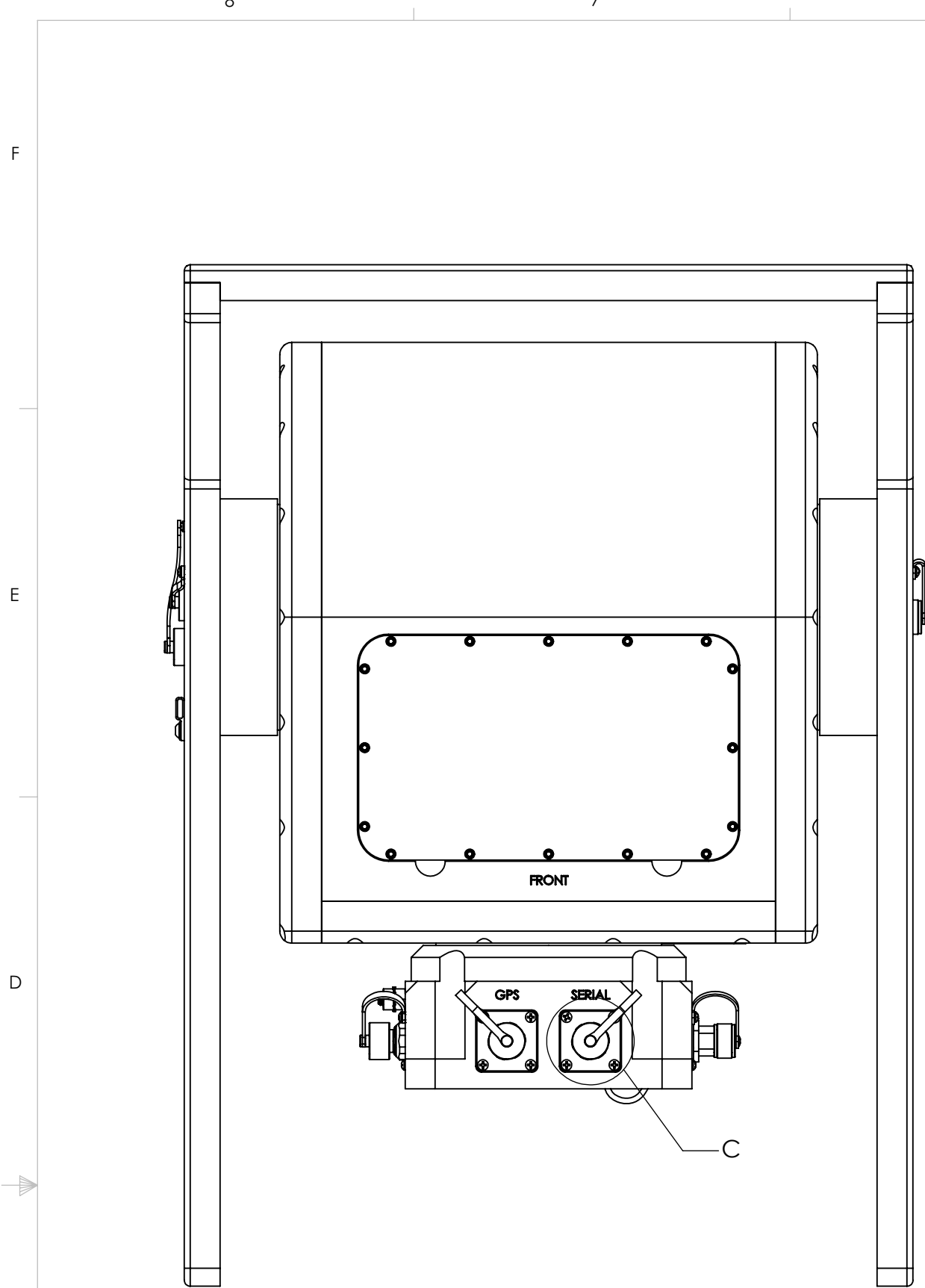


VIEW A-A
16



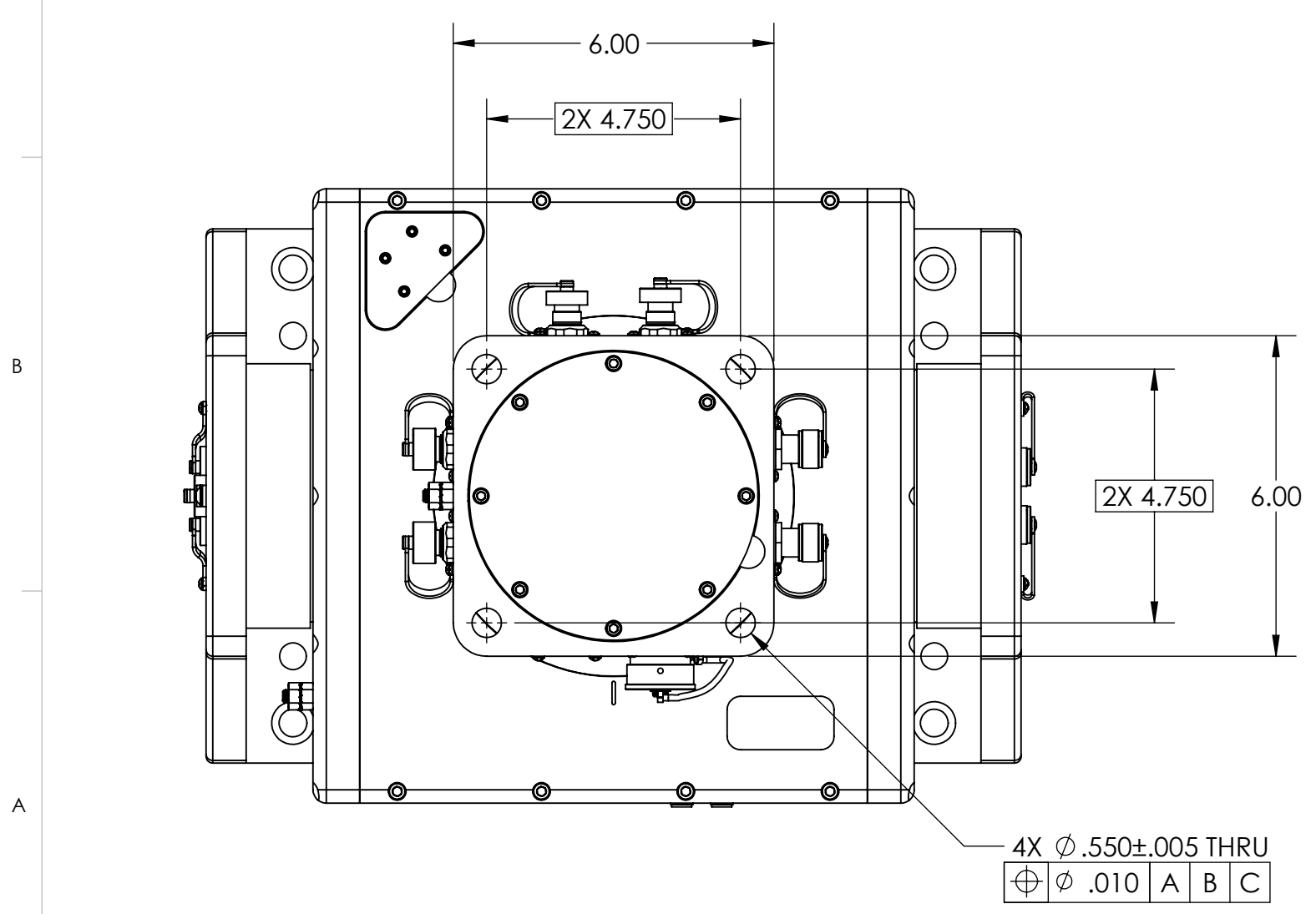
B
A
B
SHEET 3
ZONE C-4

8 7 6 5 4 3 2 1

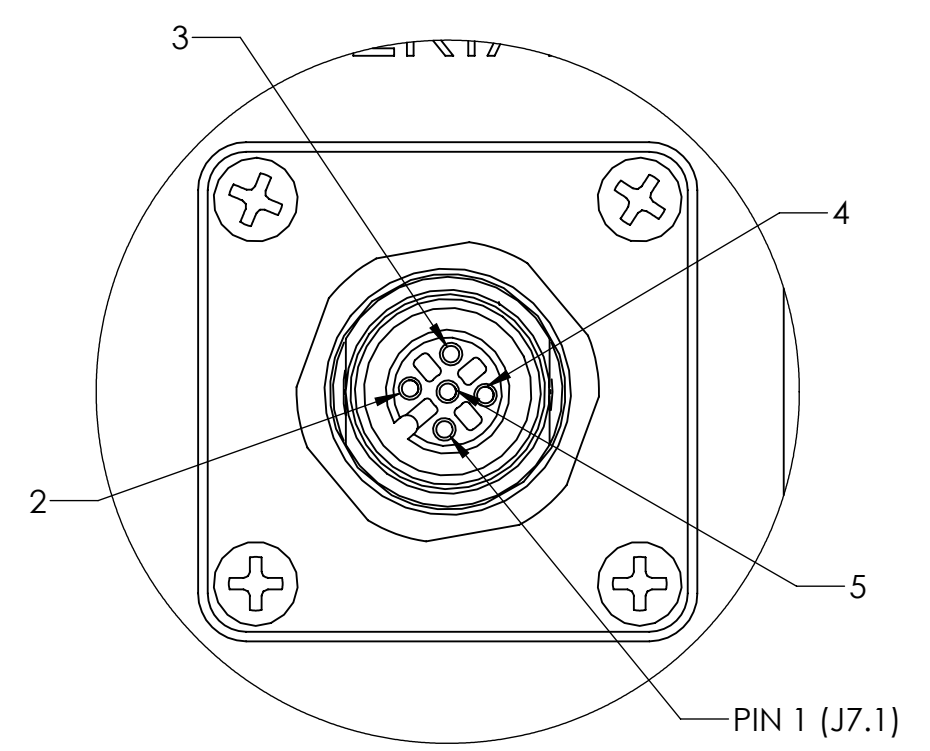


VIEW B-B
BOTH SIDES
SHEET 2
ZONE A-1

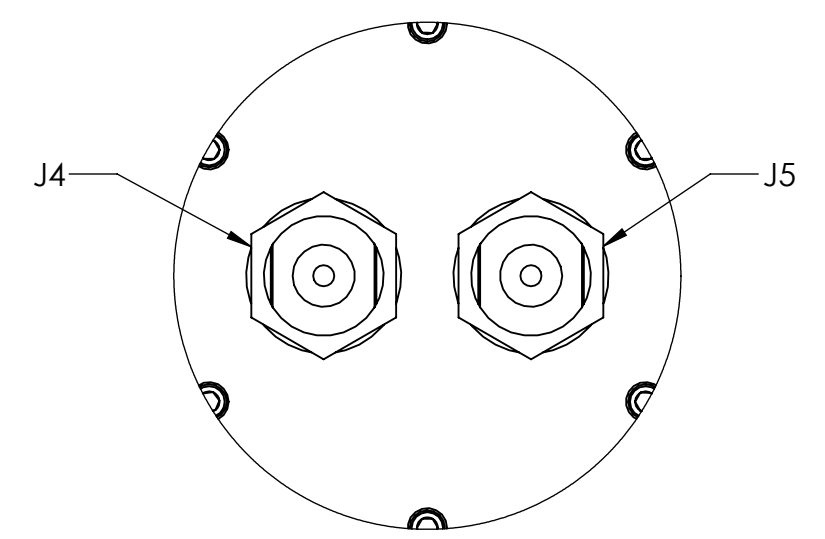
SHEET 4
ZONE A6



4X Ø .550±.005 THRU
Ø .010 A B C



J7 CONNECTOR SHOWN FROM MATING SIDE
MATES WITH TURCK P/N - BS 8151-0/PG 9 OR RS 4.5T*
DETAIL C
SCALE 2:1
SHOWN WITHOUT PROTECTIVE CAP
SEE TABLE III FOR J7 SERIAL CONNECTOR PINOUT DETAILS



J4 AND J5 CONNECTORS SHOWN FROM MATING SIDE
MATES WITH N-TYPE MALE CONNECTOR
DETAIL D
SCALE 1:1
SHOWN WITHOUT PROTECTIVE CAPS
SEE TABLE IV FOR J4 AND J5 PASS THRU CONNECTOR PINOUT DETAILS

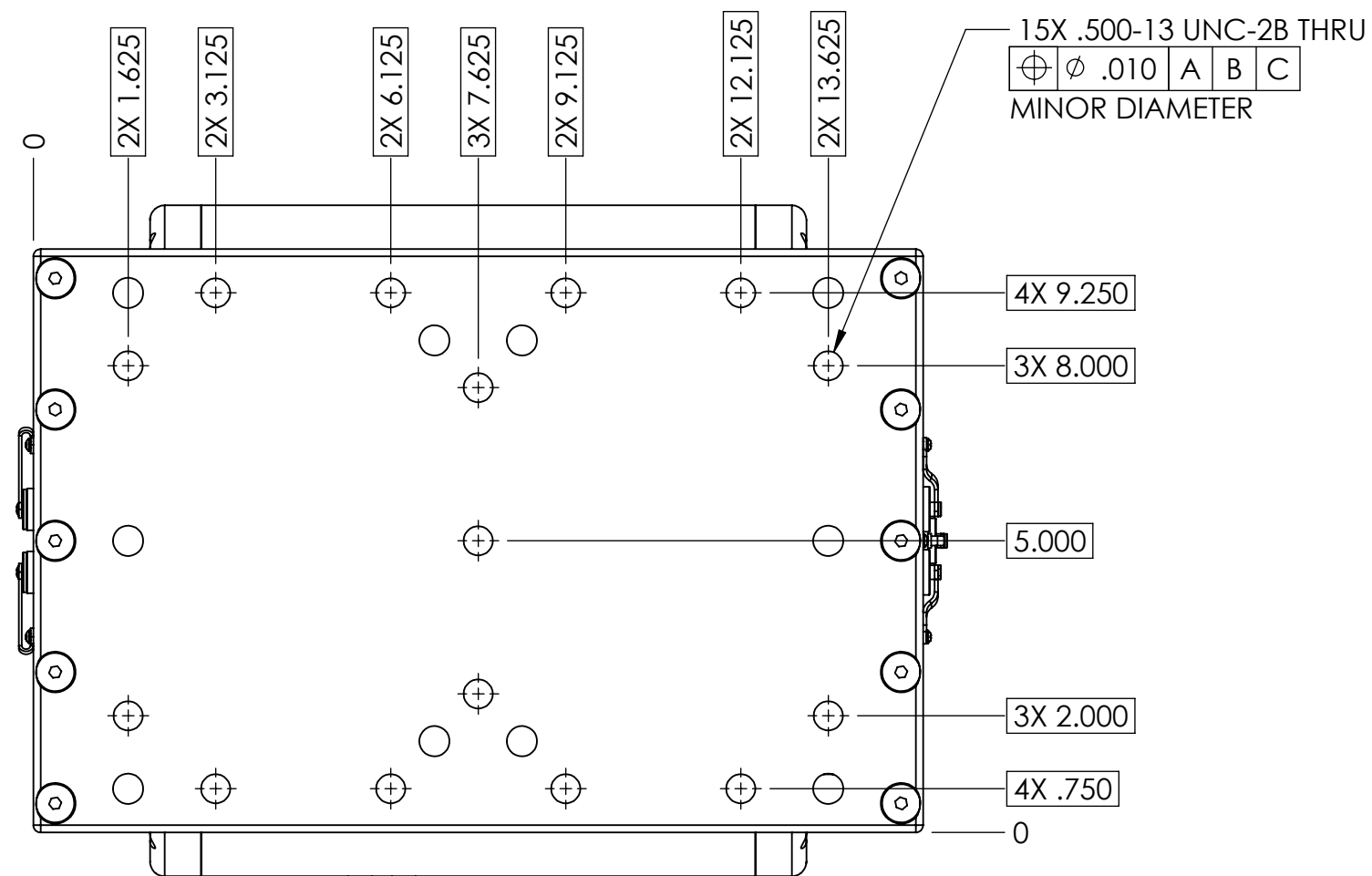
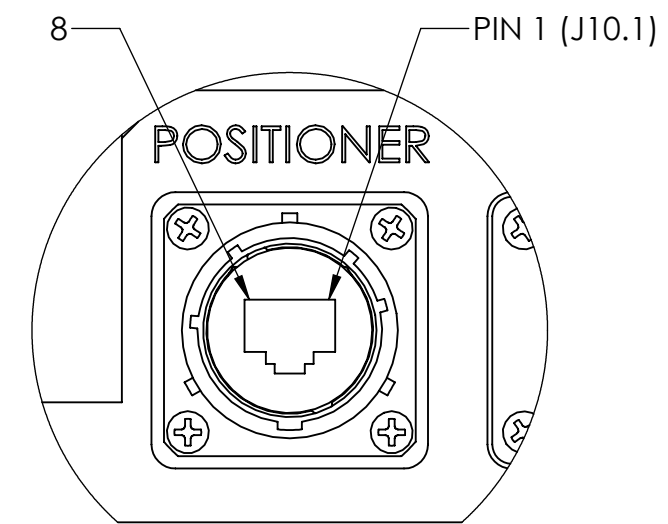


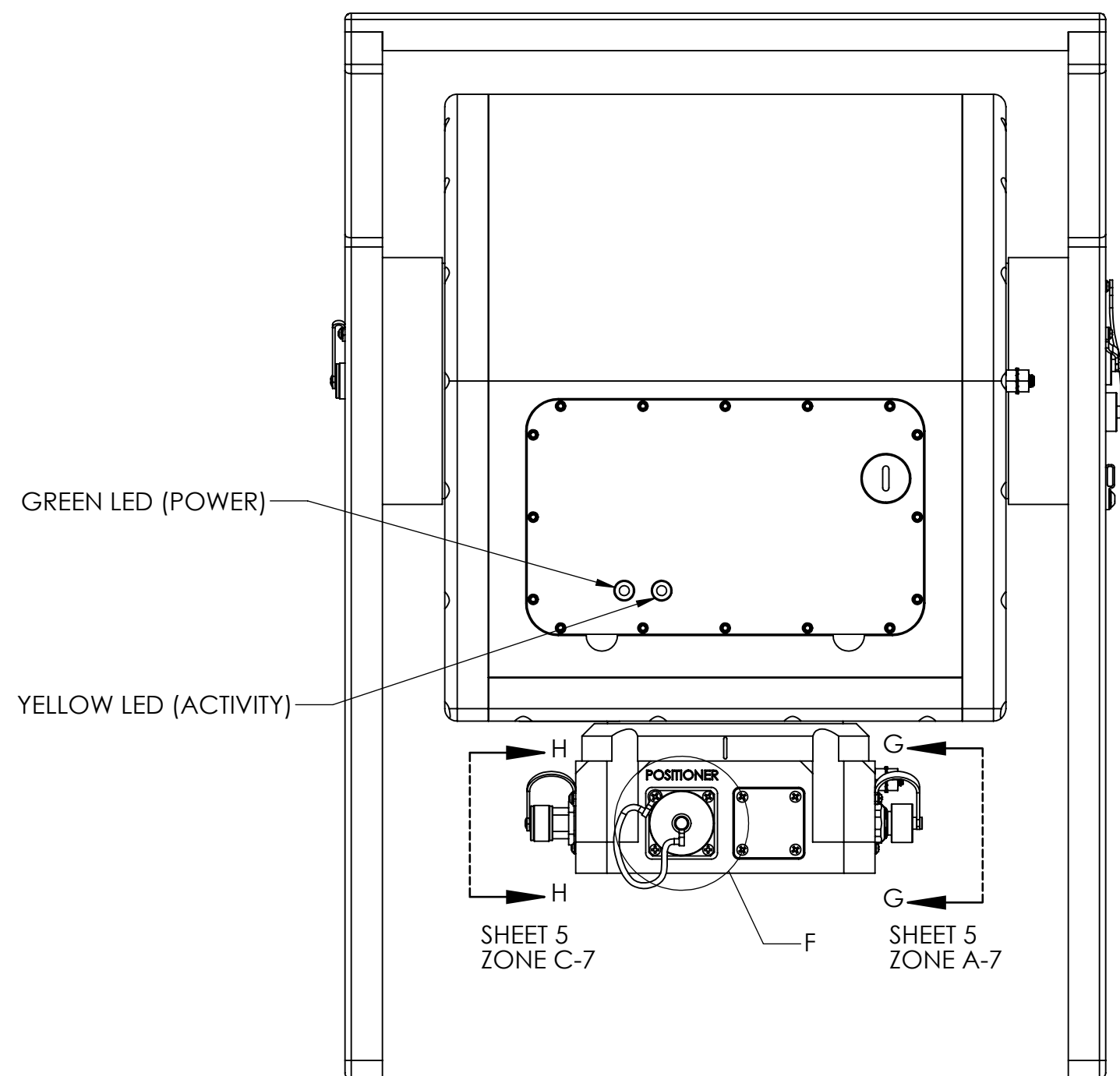
TABLE TOP MOUNTING HOLES

14

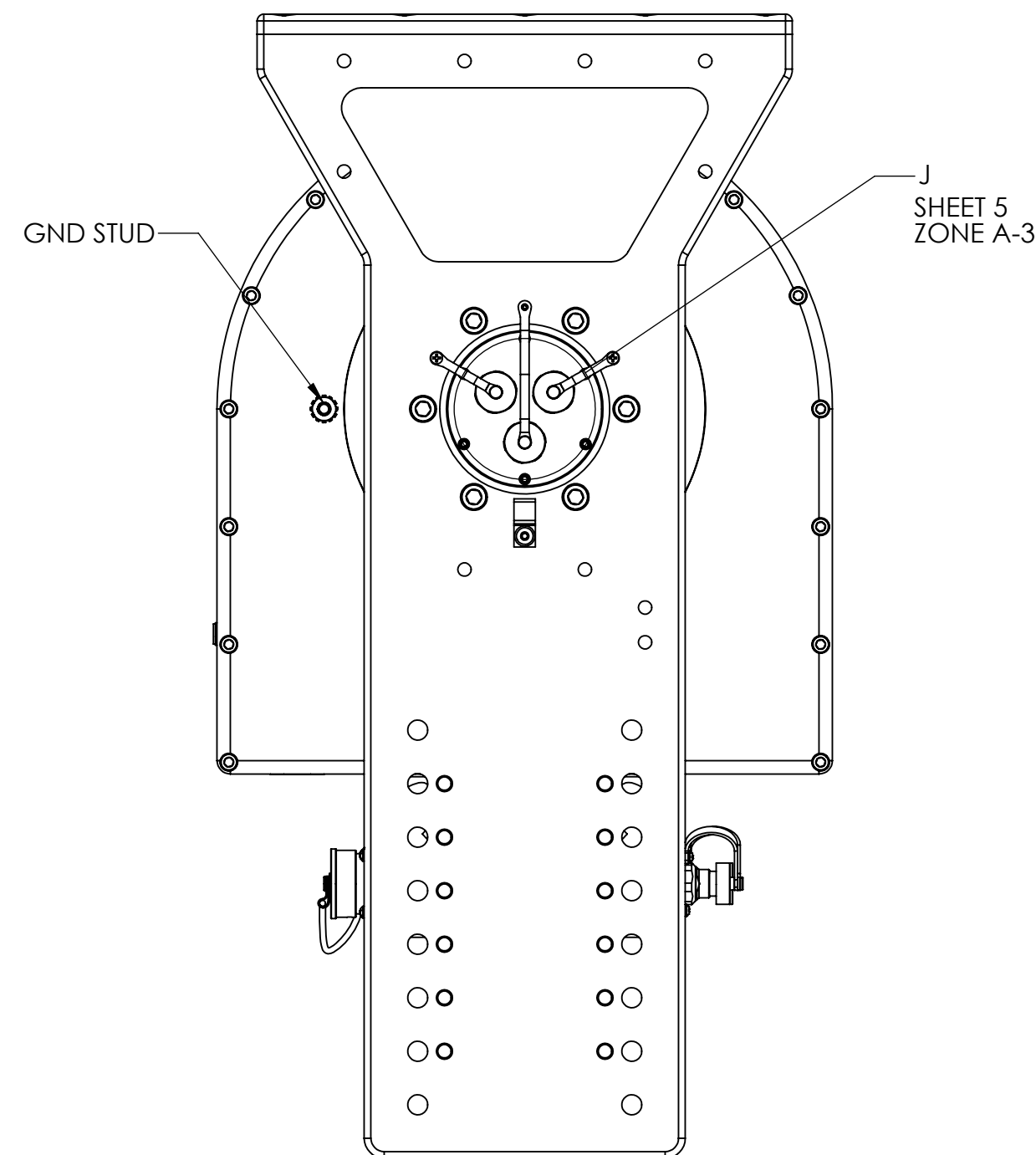


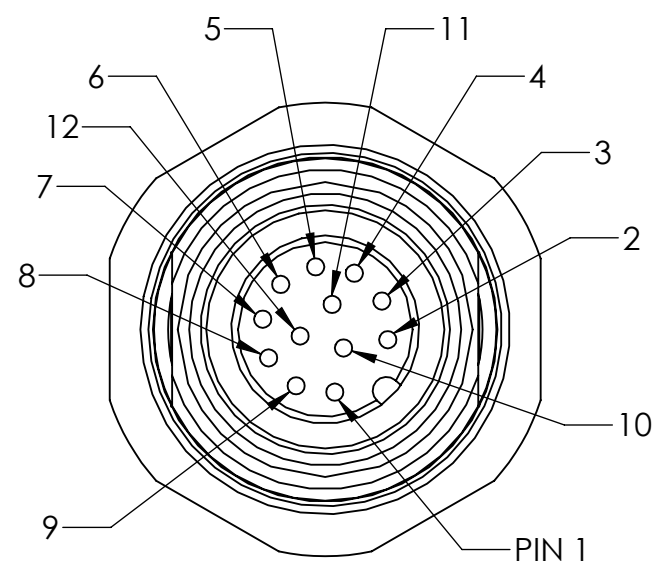
J10 CONNECTOR SHOWN FROM MATING SIDE
 MATES WITH AMPHENOL P/N RJF68

DETAIL F
 SCALE 1 : 1
 SHOWN WITHOUT PROTECTIVE CAP
 SEE TABLE III FOR J10 CONNECTOR PINOUT DETAILS



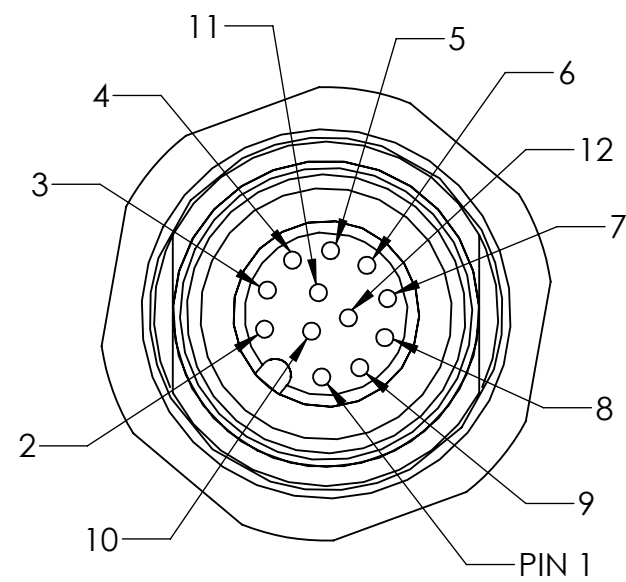
VIEW E-E
 SHEET 3
 ZONE C-3





DETAIL K
SCALE 3 : 1

P1 & P2 CONNECTOR PINOUT DETAILS
2 PLACES

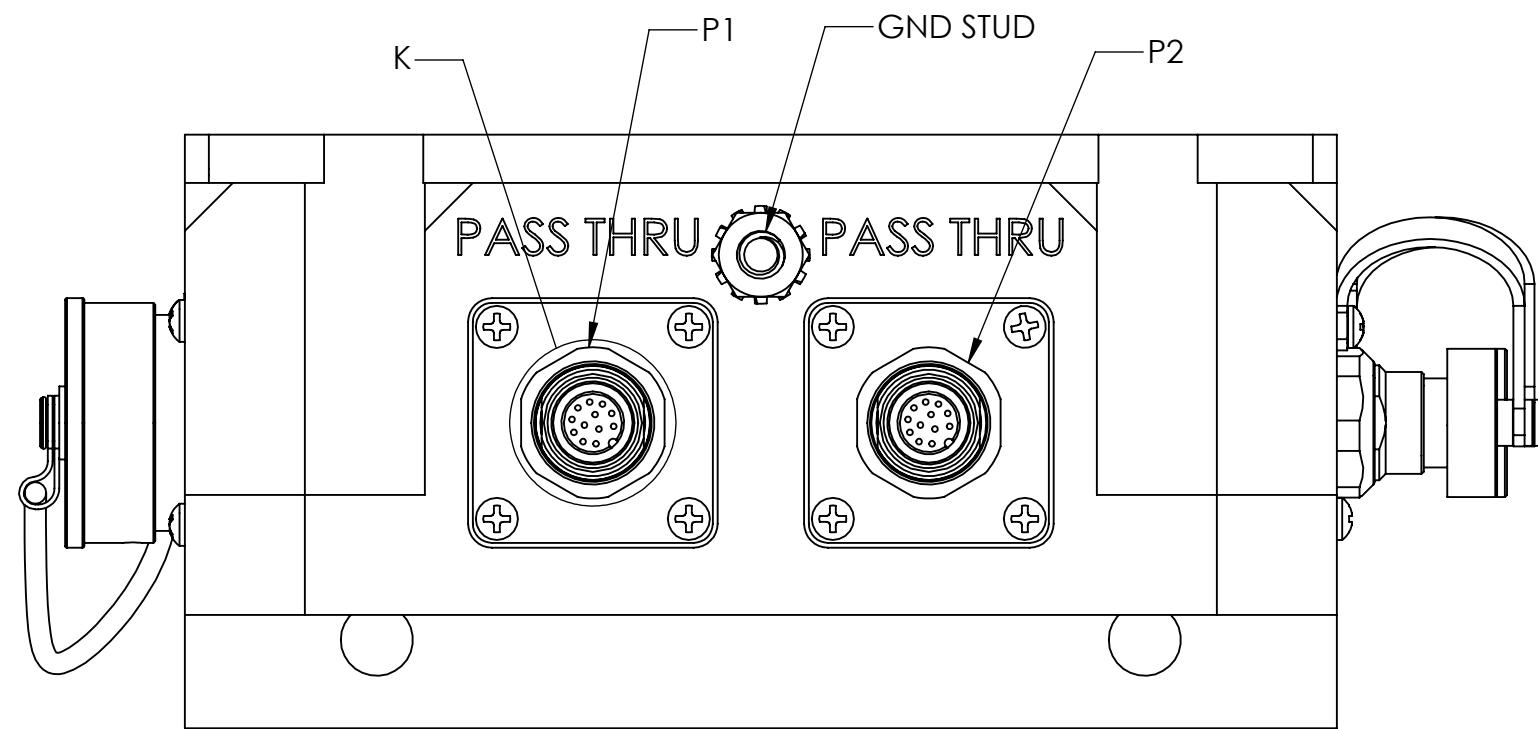


DETAIL L
SCALE 3 : 1

J1 & J2 CONNECTOR PINOUT DETAILS
2 PLACES

TABLE III (CONNECTOR FUNCTION)	
CONNECTOR DESIGNATION	FUNCTION
J7.1	DC RETURN FOR QPARUSA JOYSTICK
J7.2	NOT USED
J7.3	(B) TxD+/RxD+ DATA LINE
J7.4	(A) TxD-/RxD- DATA LINE
J7.5	DC POWER FOR QPARUSA JOYSTICK
J10.1	DATA PAIR 1
J10.2	DATA PAIR 1
J10.3	DATA PAIR 2
J10.4	+48-56VDC PoE POWER INPUT
J10.5	+48-56VDC PoE POWER INPUT
J10.6	DATA PAIR 2
J10.7	DC RETURN FOR PoE INPUT
J10.8	DC RETURN FOR PoE INPUT

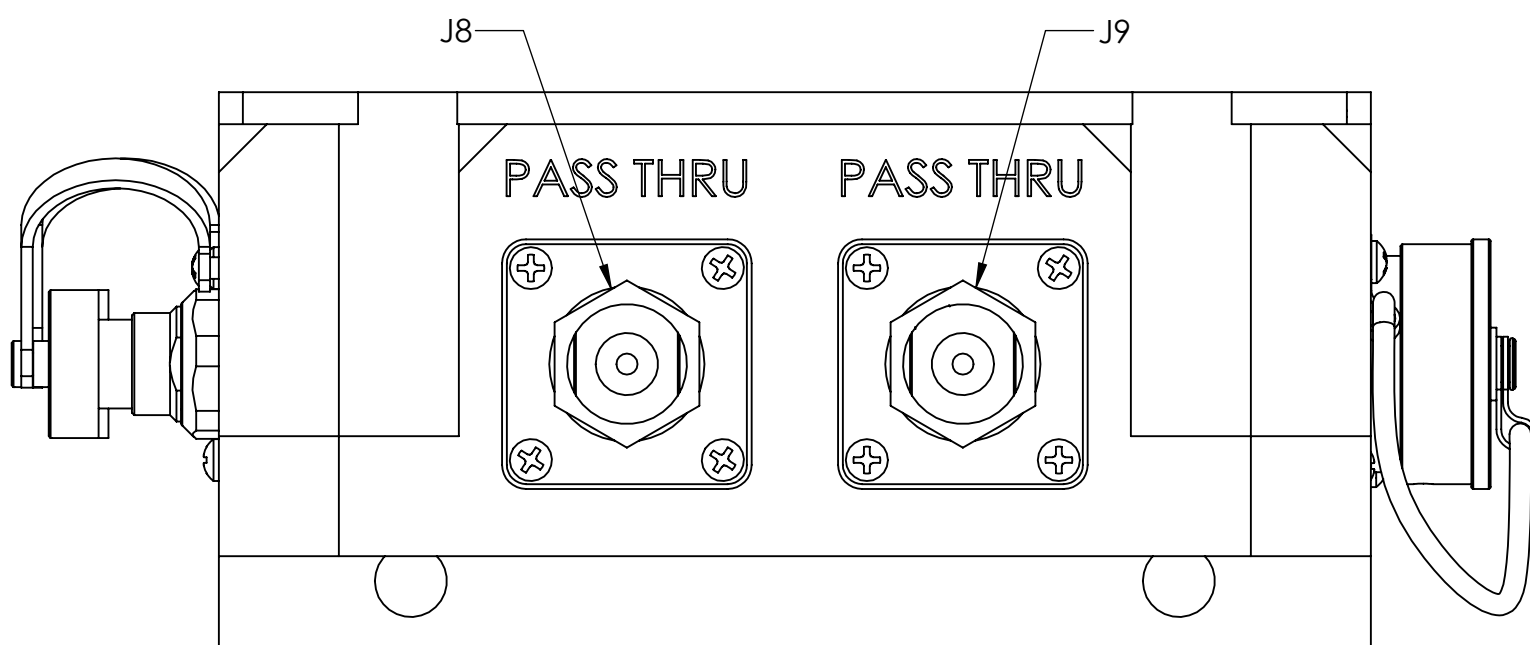
TABLE IV (WIRING DIAGRAM)	
FROM	TO
P1.1	J1.1
↓	↓
P1.12	J1.12
P2.1	J2.1
↓	↓
P2.12	J2.12
J8.1	J4.1
J9.1	J5.1



P1 & P2 CONNECTORS SHOWN FROM MATING SIDE
MATES WITH TURCK P/N B 81 121-0/PG9 OR RK 12T-*

SECTION G-G
SCALE 1 : 1
SHEET 4
ZONE A-7

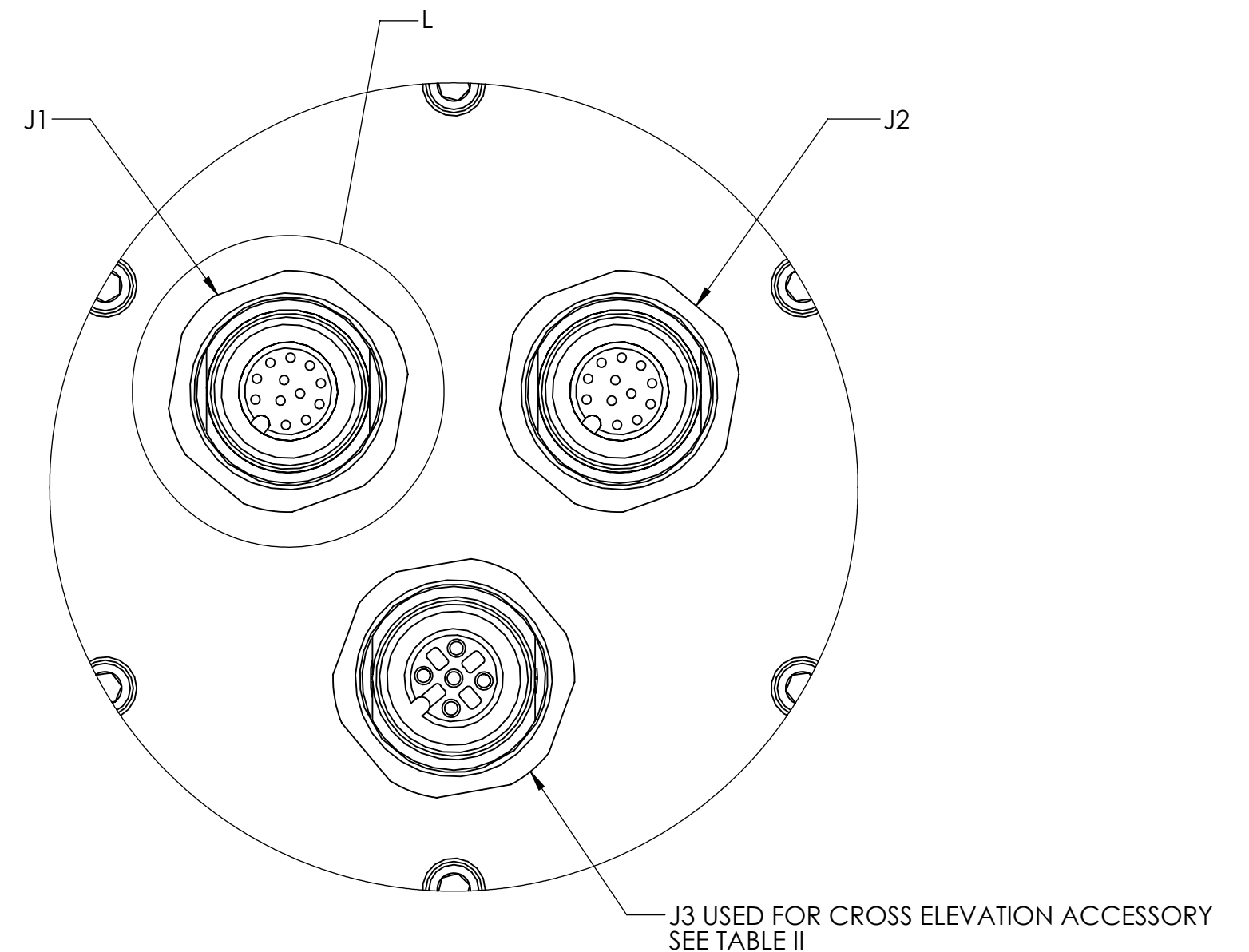
SHOWN WITHOUT PROTECTIVE CAPS
SEE TABLE IV FOR P1 & P2 PASS THRU CONNECTOR PINOUT DETAILS



J8 & J9 CONNECTORS SHOWN FROM MATING SIDE
MATES WITH N-TYPE MALE CONNECTOR

SECTION H-H
SCALE 1 : 1
SHEET 4
ZONE A-8

SHOWN WITHOUT PROTECTIVE CAP
SEE TABLE IV FOR J8 & J9 PASS THRU CONNECTOR PINOUT DETAILS



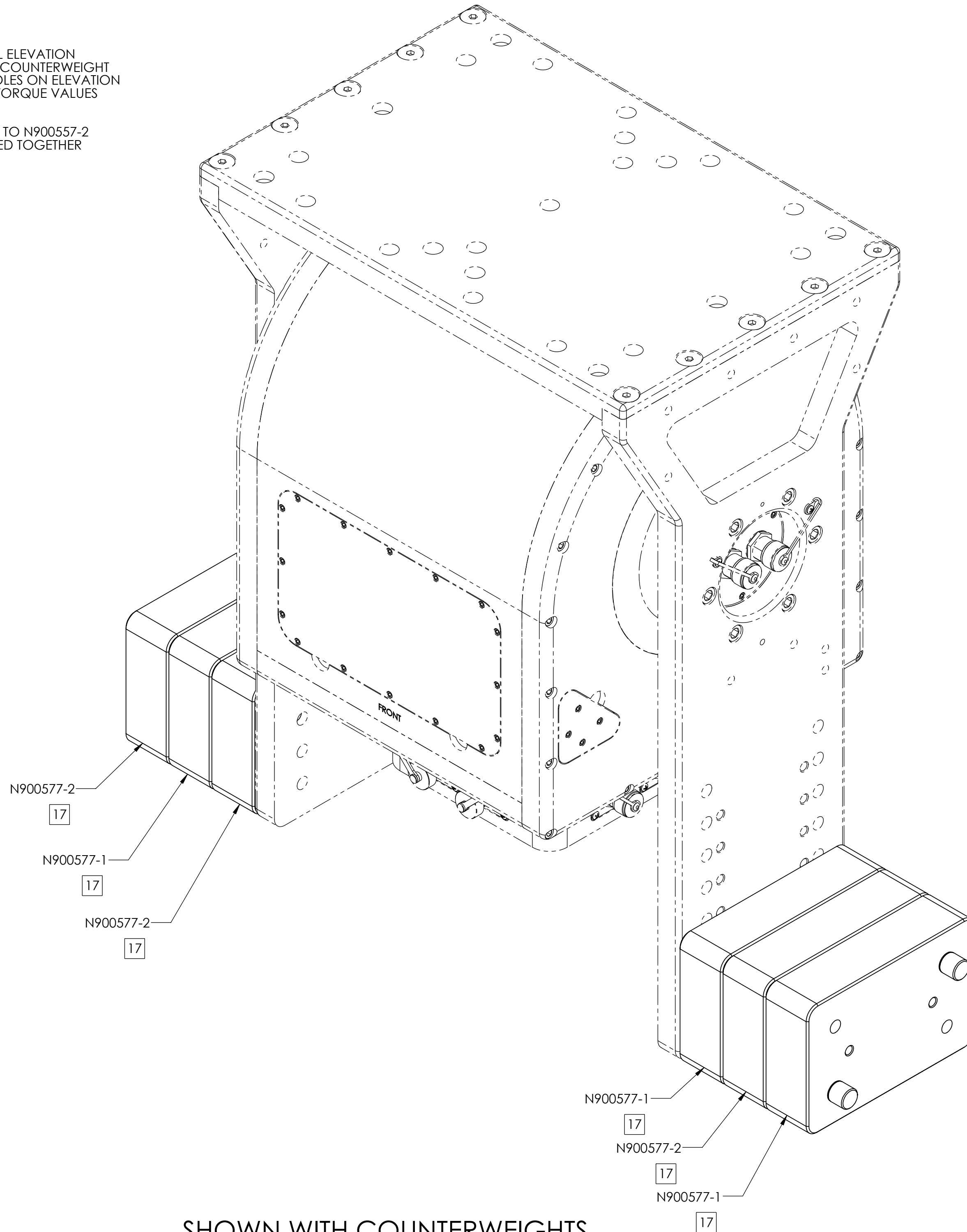
J1 & J2 CONNECTORS SHOWN FROM MATING SIDE
MATES WITH TURCK P/N BS 81 121-0/PG9 OR RS 12T-*

DETAIL J
SCALE 2 : 1
SHEET 4
ZONE C-2

SHOWN WITHOUT PROTECTIVE CAPS
SEE TABLE IV FOR J1 & J2 PASS THRU CONNECTOR PINOUT DETAILS

NOTES CONTINUED:

- 16 COUNTERWEIGHTS SHOWN AT MAXIMUM ADDITIONAL ELEVATION TORQUE OF 60 FT-LBS TO ADJUST ELEVATION TORQUE COUNTERWEIGHT LOCATIONS MAY BE ADJUSTED USING MOUNTING HOLES ON ELEVATION ARM. SEE DIMENSIONS ON VIEW A-A TO CALCULATE TORQUE VALUES AT RESPECTIVE MOUNTING HOLE LOCATIONS
- 17 COUNTERWEIGHTS MUST ALTERNATE FROM N900557-1 TO N900557-2 OR VICE VERSA WHEN COUNTERWEIGHTS ARE STACKED TOGETHER



SHOWN WITH COUNTERWEIGHTS