

REV	DESCRIPTION	DATE	APPROVED
C	CN600564	2018-07-30	CLC

NOTES: UNLESS OTHERWISE SPECIFIED

1. QPAR LINKALIGN-360AZR-20 CONFIGURABLE OPTIONS PER TABLE I. PART NUMBER QLA-360AZR-20-100 SHOWN THROUGHOUT THIS DRAWING. PoE CABLE SHOWN NOT TO SCALE
2. USE INTERFACE CONTROL DRAWING IN CONJUNCTION WITH DATASHEET N500129
3. 48-56VDC POWER SUPPLY INCLUDED WITH POSITIONER. NOT SHOWN IN DRAWING
4. HARD COAT ANODIZE ALUMINUM CONSTRUCTION WITH STAINLESS STEEL HARDWARE
5. 400° (+/-200°) AZIMUTH TRAVEL WITH 4.5°/SEC DRIVE RATE (NO LOAD)
6. NOT USED
7. -22° TO 140°F (-30° TO 60°C) OPERATIONAL TEMPERATURE RANGE. -40 TO 158°F (-40 TO 70°C) NON-OPERATIONAL TEMPERATURE RANGE
8. 0.1° FEEDBACK RESOLUTION
9. AZIMUTH BACKLASH LESS THAN 0.15°
10. 14.95" (38.0 cm) HIGH X 7.75" (19.7 cm) WIDE X 10.63" (27.0 cm) DEEP
11. WEIGHT APPROXIMATELY 15.6 LBS NOT INCLUDING PoE CABLE
12. PAYLOAD SHALL NOT EXCEED 90 LBS ON INDICATED MAST
13. RADIO OR AUXILIARY EQUIPMENT MOUNTING FEATURES. 20 LBS MAX
14. CENTER OF GRAVITY 0.3" (0.8 cm) IN THE X-DIRECTION, 5.3" (13.5 cm) IN THE Y-DIRECTION AND 0.8" (2.0 cm) IN THE Z-DIRECTION. X & Z MEASURED FROM THE CENTER OF THE 2.00" DIAMETER MOUNTING POLE
15. FOR PERMANENT INSTALLATIONS, IT IS RECOMMENDED THAT THE (2) INDICATED 5/16-18 THREADED KNOBS BE REPLACED WITH (2) 5/16-18 X 1.000" LONG STAINLESS STEEL HEX HEAD FASTENERS. HARDWARE PROVIDED WITH UNIT. TORQUE TO 132 IN-LBS
16. POSITIONER IS AT AZIMUTH PEDESTAL 0° WHEN INDICATED FASTENER IS AT POSITION SHOWN WITH CLAMPING KNOBS IN THE FRONT AS SHOWN
17. POSITIONER CLAMPS TO STANDARD 2" OUTSIDE DIAMETER MAST (NOT INCLUDED). OPTIONAL MIDMOUNT KIT AVAILABLE TO ADAPT TO MAST DIAMETERS UP TO 6". GO TO [www.qparusa.com](http://www.qparusa.com) TO LEARN MORE
18. 5/16" QUICK RELEASE PIN TO SECURE POSITIONER TO MAST AND PREVENT ROTATION

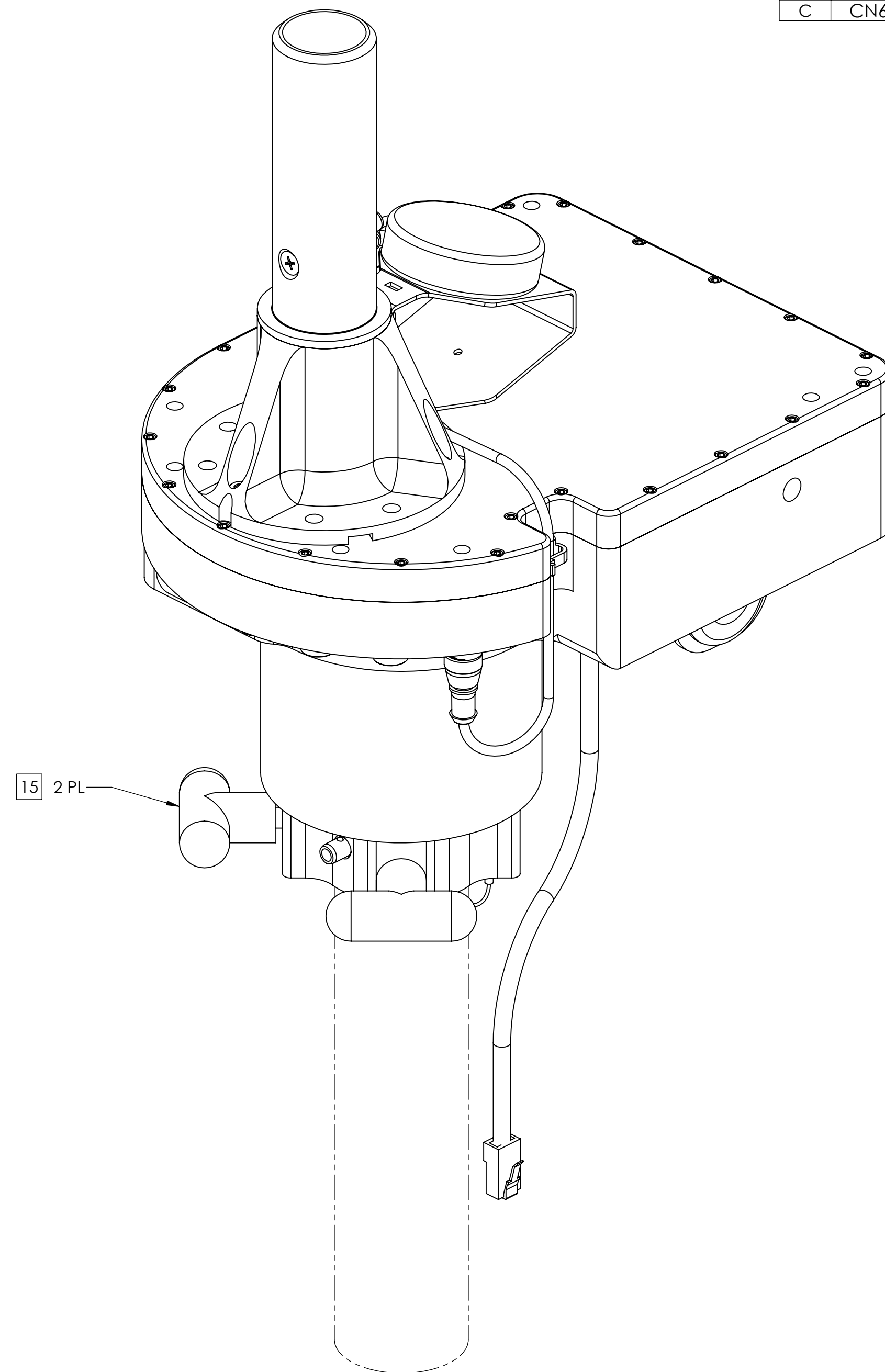
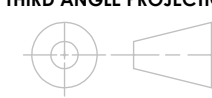
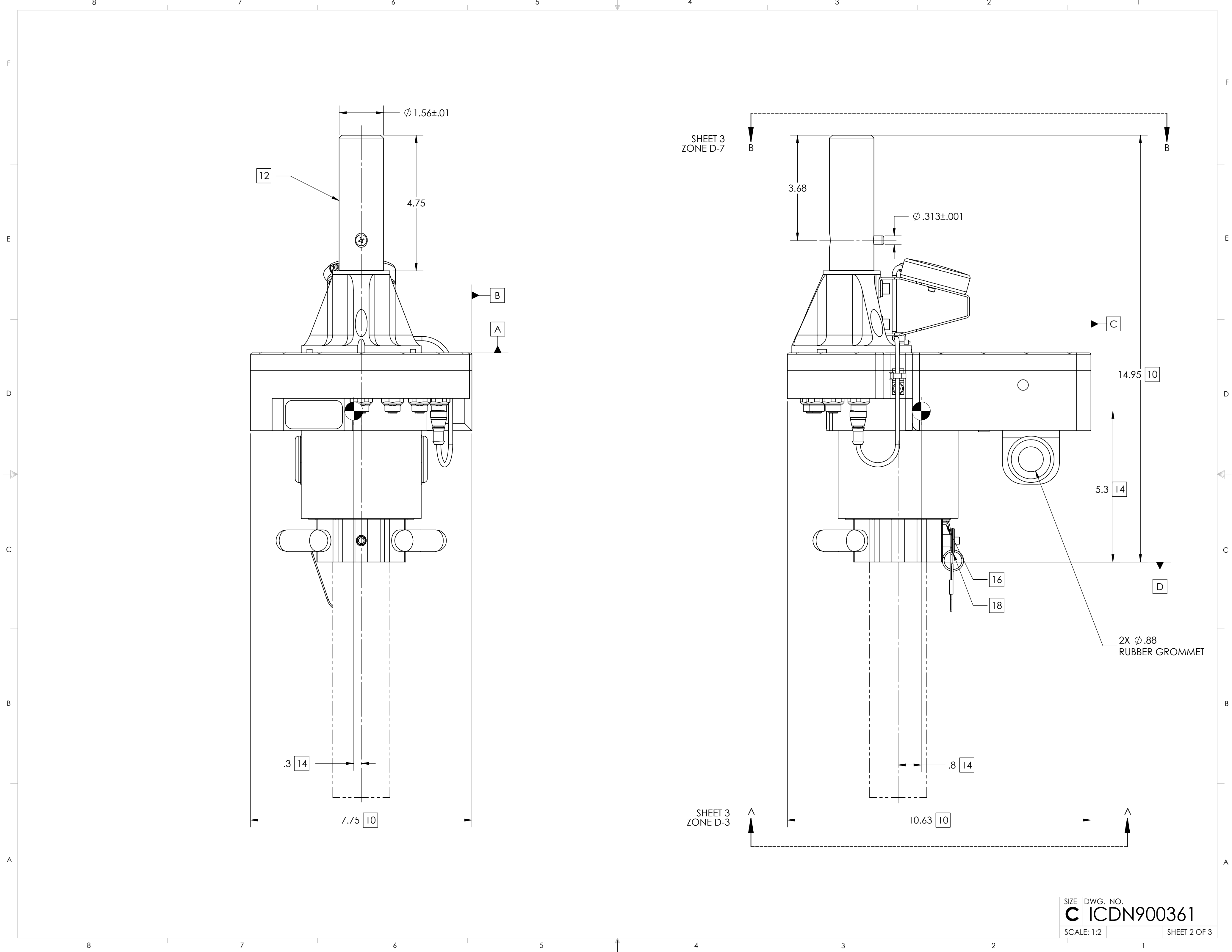


TABLE I	
BUILDING A PART NUMBER	STANDARD OPTIONS
LA-360AZR - 20 - 100	<<EXAMPLE
	<b>SHIELDED ETHERNET CABLE STANDARD LENGTHS</b>
	050 = 50 ft
	100 = 100 ft
	150 = 150 ft
	200 = 200 ft
	250 = 250 ft
	300 = 300 ft
	XXX = Custom length in feet
	XXXC = Add "C" to end of cable length for unterminated mating connector
	<b>CUSTOM CONFIGURATION</b>
	= Standard options - leave blank
	<b>MOTOR DRIVES AND PAYLOAD</b>
	20 = Az 60 ft-lbs @ 2.2°/s, 90 lb payload
	<b>MODEL</b>
	LA-360AZR = LinkAlign-360AZR (+/- 200° azimuth)

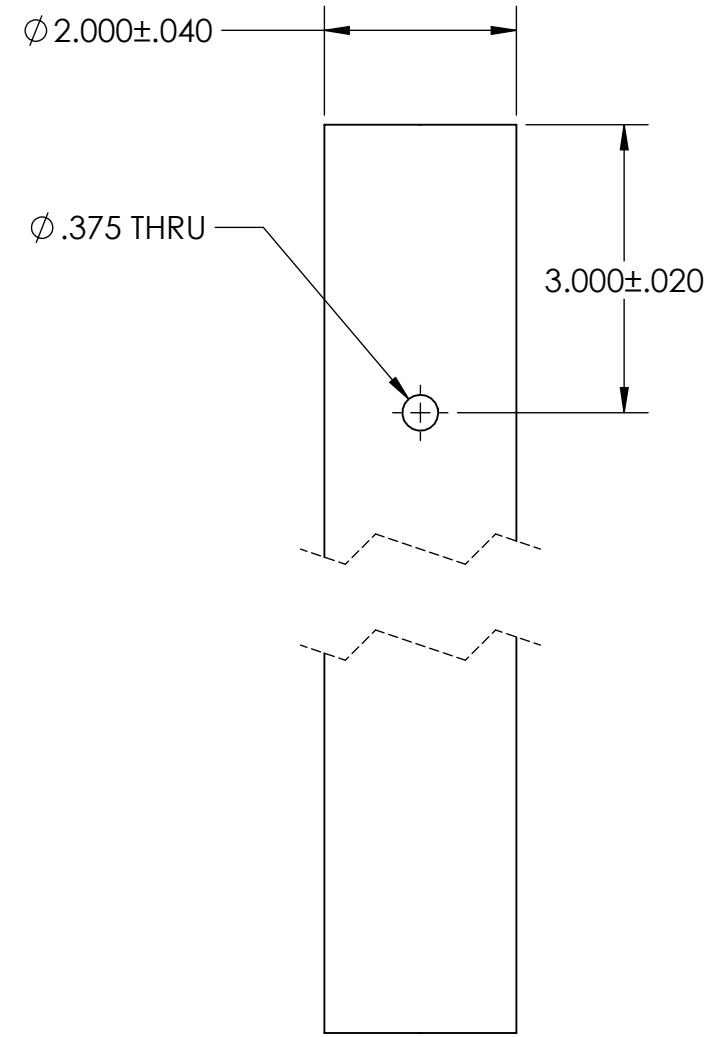
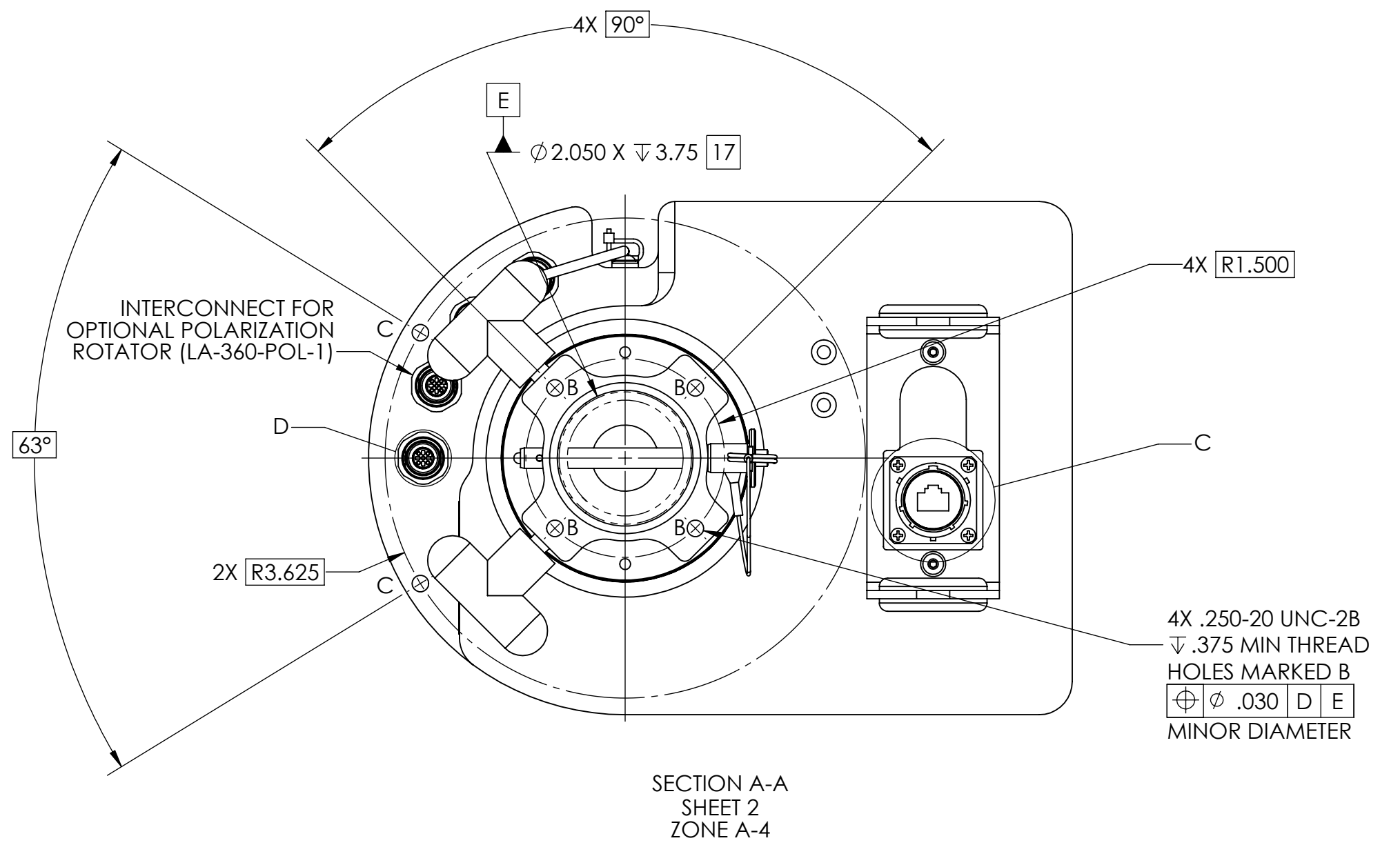
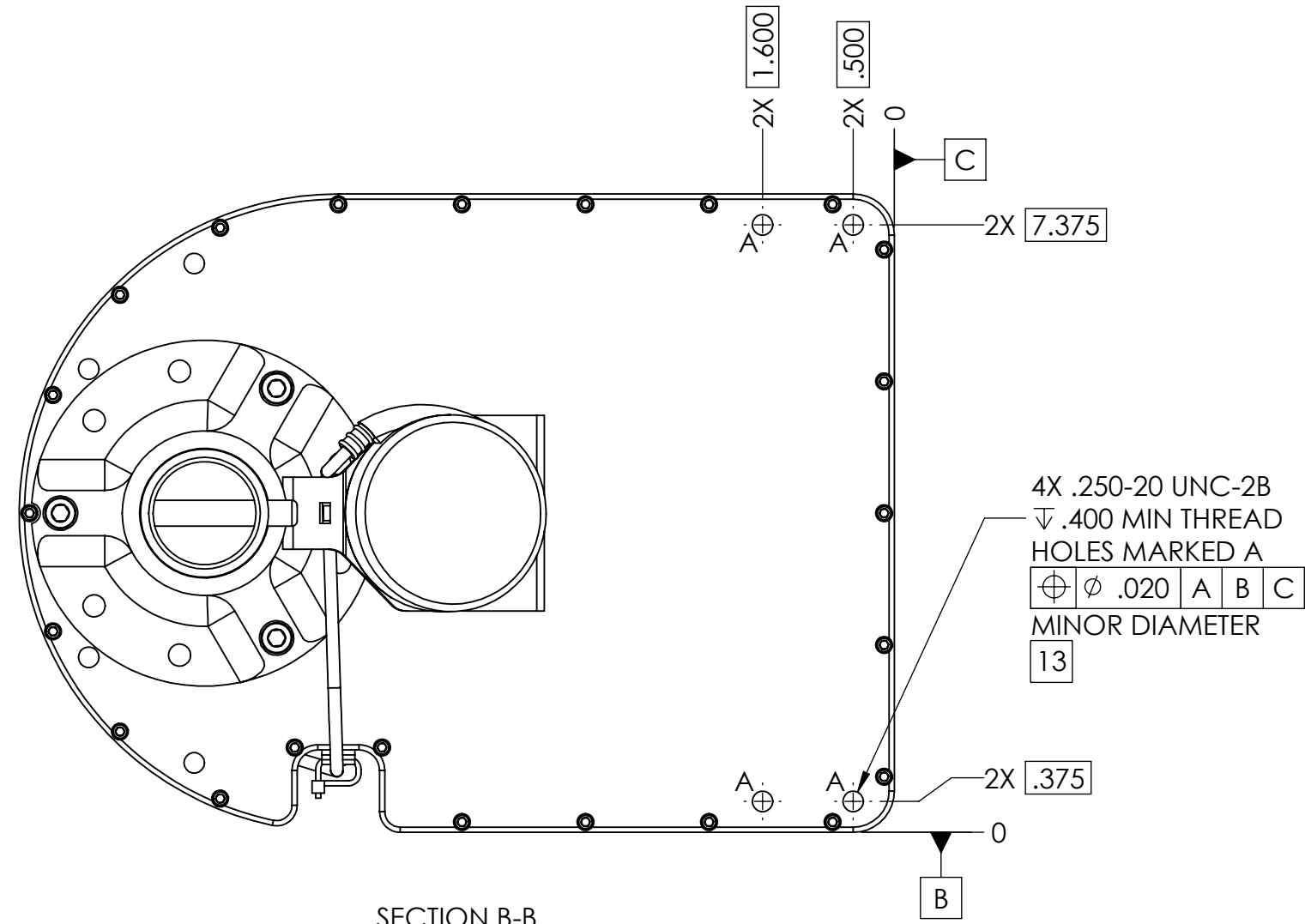
<b>SYMBOL KEY</b> <input type="checkbox"/> NOTE <input type="checkbox"/> PL ITEMS  <b>PROPRIETARY AND CONFIDENTIAL</b> THE INFORMATION CONTAINED IN THIS DRAWING IS THE SOLE PROPERTY OF QPARUSA. ANY REPRODUCTION IN PART OR AS A WHOLE WITHOUT THE WRITTEN PERMISSION OF QPAR ANTENNAS USA IS PROHIBITED.  QPAR ANTENNAS USA, LLC LAS VEGAS, NV 89121 <a href="http://www.qparusa.com">www.qparusa.com</a>	<b>UNLESS OTHERWISE SPECIFIED:</b> DIMENSIONS ARE IN INCHES TOLERANCES: ANGLE ± 5 DEGREES TWO PLACE DECIMAL ±.030 THREE PLACE DECIMAL ±.010  INTERPRET DIM AND TOL PER ASME Y14.5M - 1994  <b>THIRD ANGLE PROJECTION</b>  DO NOT SCALE DRAWING	DRAWN S. CHEYNE 2016-01-19 CHECKED C. CHEYNE 2018-07-30 ME APPR. S. CHEYNE 2016-01-19 EE APPR.	<b>QPAR ANTENNAS USA, LLC</b>  <b>TITLE:</b> QPAR LINKALIGN-360AZR-20 INTERFACE CONTROL DRAWING
		PART NO. <b>SEE TABLE I</b>	SIZE DWG. NO. REV <b>C</b> ICDN900361 <b>C</b>
		SCALE: 2:3	SHEET 1 OF 3



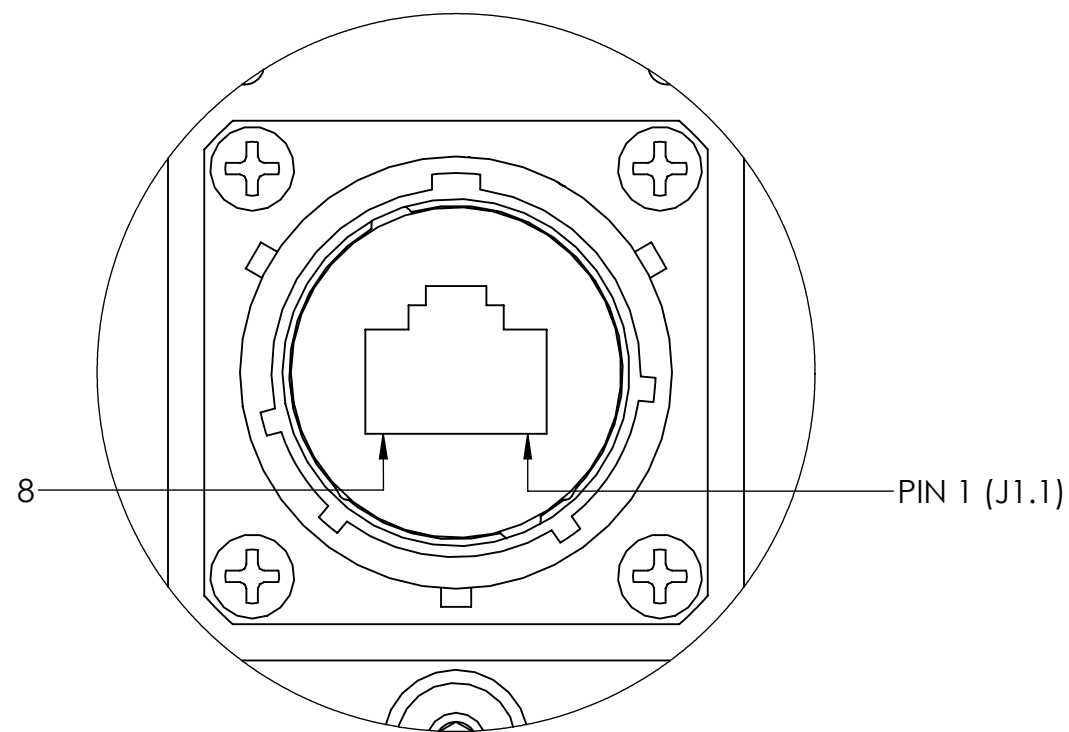
SHEET 3  
ZONE D-7

SHEET 3  
ZONE D-3

SIZE	DWG. NO.
<b>C</b>	<b>ICDN900361</b>
SCALE: 1:2	SHEET 2 OF 3



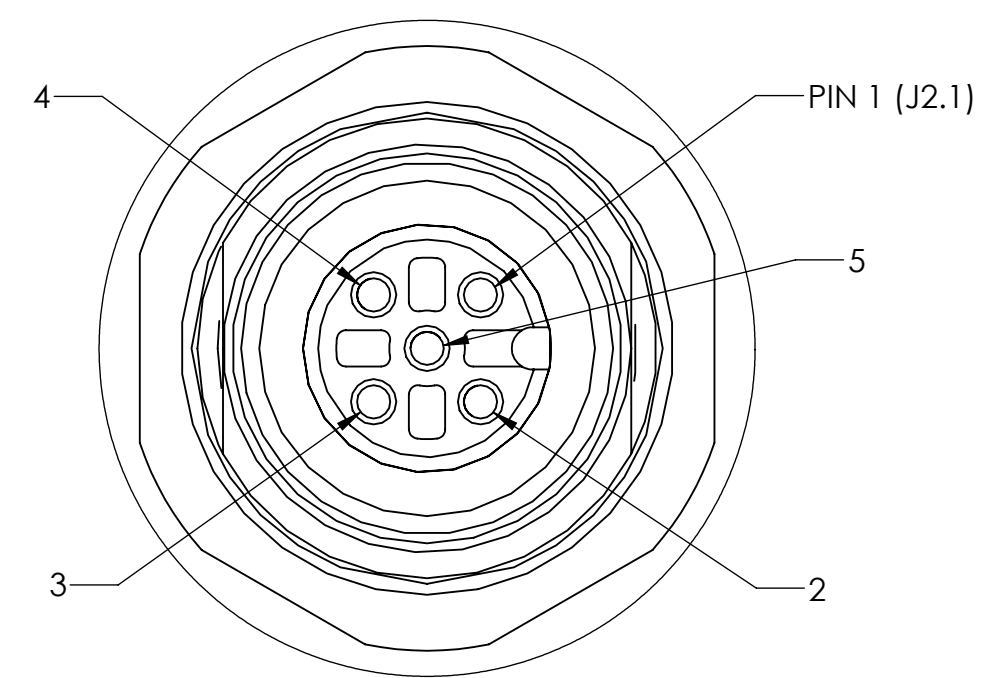
INTERCONNECT FOR POSITIONER PoE



DETAIL C  
SCALE 2 : 1

TABLE II (PoE CONNECTOR)	
CONNECTOR DESIGNATION	FUNCTION
J1.1	DATA PAIR 1
J1.2	DATA PAIR 1
J1.3	DATA PAIR 2
J1.4	+48-56VDC PoE POWER INPUT
J1.5	+48-56VDC PoE POWER INPUT
J1.6	DATA PAIR 2
J1.7	DC RETURN FOR PoE INPUT
J1.8	DC RETURN FOR PoE INPUT

INTERCONNECT FOR SERIAL INTERFACE



DETAIL D  
SCALE 4 : 1

TABLE III (SERIAL CONNECTOR)	
CONNECTOR DESIGNATION	FUNCTION
J2.1	DC RETURN FOR QPARUSA JOYSTICK
J2.2	NOT USED
J2.3	(B) TxD-/RxD- DATA LINE
J2.4	(A) TxD+/RxD+ DATA LINE
J2.5	DC POWER FOR QPARUSA JOYSTICK