

REV	DESCRIPTION	DATE	APPROVED
D	CN600564	2018-07-30	CLC

NOTES: UNLESS OTHERWISE SPECIFIED

1. QPAR LINKALIGN-360AZR-10 CONFIGURABLE OPTIONS PER TABLE I. PART NUMBER QLA-360AZR-10-100 SHOWN THROUGHOUT THIS DRAWING. PoE CABLE SHOWN
2. USE INTERFACE CONTROL DRAWING IN CONJUNCTION WITH DATASHEET N500110
3. 48-56VDC POWER SUPPLY INCLUDED WITH POSITIONER. NOT SHOWN IN DRAWING
4. HARD COAT ANODIZE ALUMINUM CONSTRUCTION WITH STAINLESS STEEL HARDWARE
5. 400° (+/-200°) AZIMUTH TRAVEL WITH 4.5°/SEC DRIVE RATE (NO LOAD)
6. NOT USED
7. -22° TO 140°F (-30° TO 60°C) OPERATIONAL TEMPERATURE RANGE. -40 TO 158°F (-40 TO 70°C) NON-OPERATIONAL TEMPERATURE RANGE
8. 0.1° FEEDBACK RESOLUTION
9. AZIMUTH BACKLASH LESS THAN 0.25°
- 10 14.85" (37.1 cm) HIGH X 7.75" (19.7 cm) WIDE X 10.00" (25.4 cm) DEEP
11. WEIGHT APPROXIMATELY 13.5 LBS NOT INCLUDING PoE CABLE
- 12 PAYLOAD SHALL NOT EXCEED 60 LBS ON INDICATED MAST
- 13 RADIO OR AUXILIARY EQUIPMENT MOUNTING FEATURES. 20 LBS MAX
- 14 CENTER OF GRAVITY 0.2" (0.5 cm) IN THE X-DIRECTION, 5.2" (13.2 cm) IN THE Y-DIRECTION AND 0.6" (1.5 cm) IN THE Z-DIRECTION. X & Z MEASURED FROM THE CENTER OF THE 2.00" DIAMETER MOUNTING POLE
- 15 FOR PERMANENT INSTALLATIONS, IT IS RECOMMENDED THAT THE (2) INDICATED 5/16-18 THREADED KNOBS BE REPLACED WITH (2) 5/16-18 X 1.000" LONG STAINLESS STEEL HEX HEAD FASTENERS. HARDWARE PROVIDED WITH UNIT. TORQUE TO 132 IN-LBS
- 16 POSITIONER IS AT AZIMUTH PEDESTAL 0° WHEN INDICATED FASTENER IS AT POSITION SHOWN WITH CLAMPING KNOBS IN THE FRONT AS SHOWN
- 17 POSITIONER CLAMPS TO STANDARD 2" OUTSIDE DIAMETER MAST (NOT INCLUDED). OPTIONAL MIDMOUNT KIT AVAILABLE TO ADAPT TO MAST DIAMETERS UP TO 6". GO TO [www.qparusa.com](http://www.qparusa.com) TO LEARN MORE
- 18 5/16" QUICK RELEASE PIN TO SECURE POSITIONER TO MAST AND PREVENT ROTATION

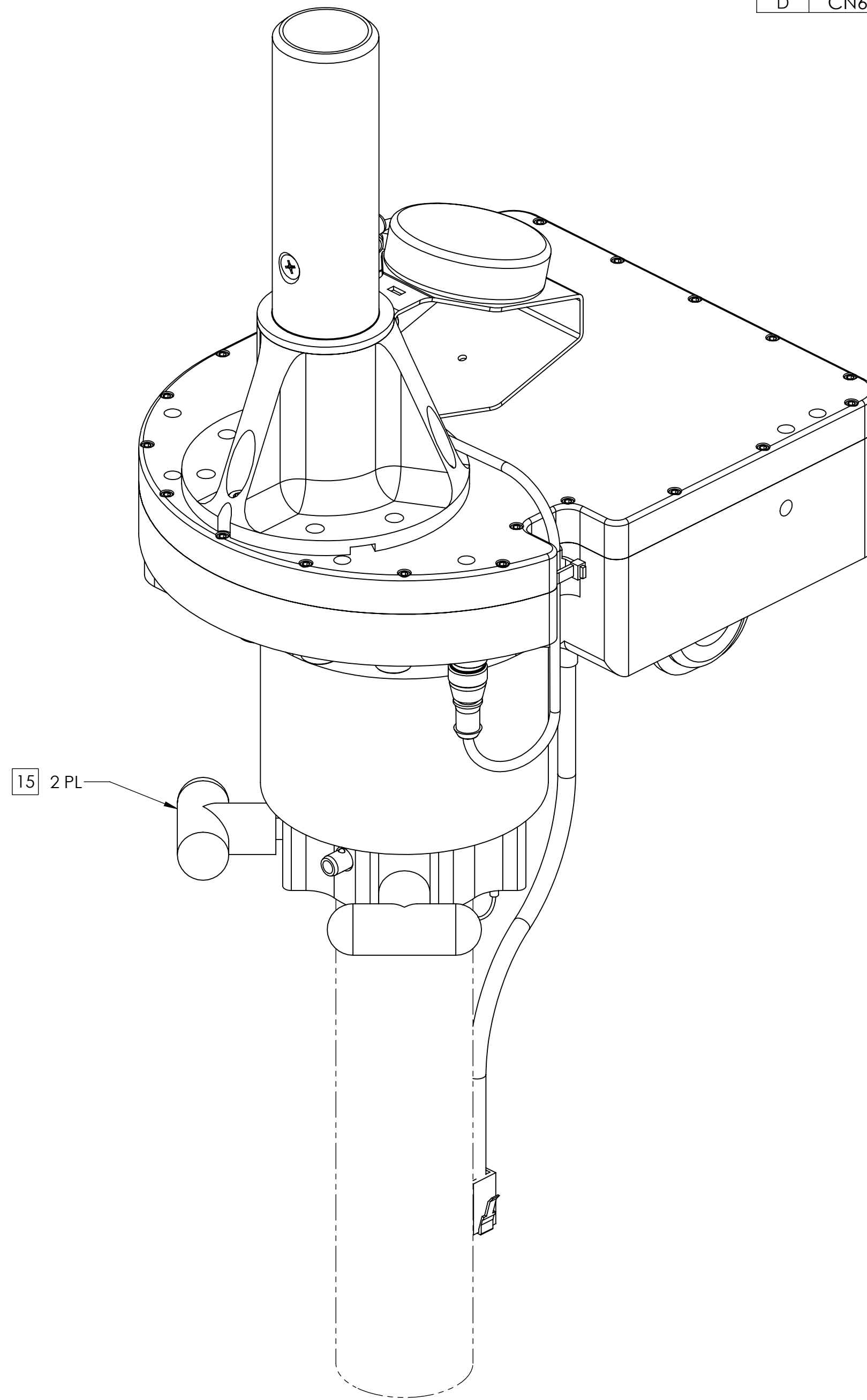
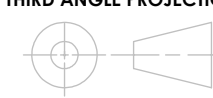
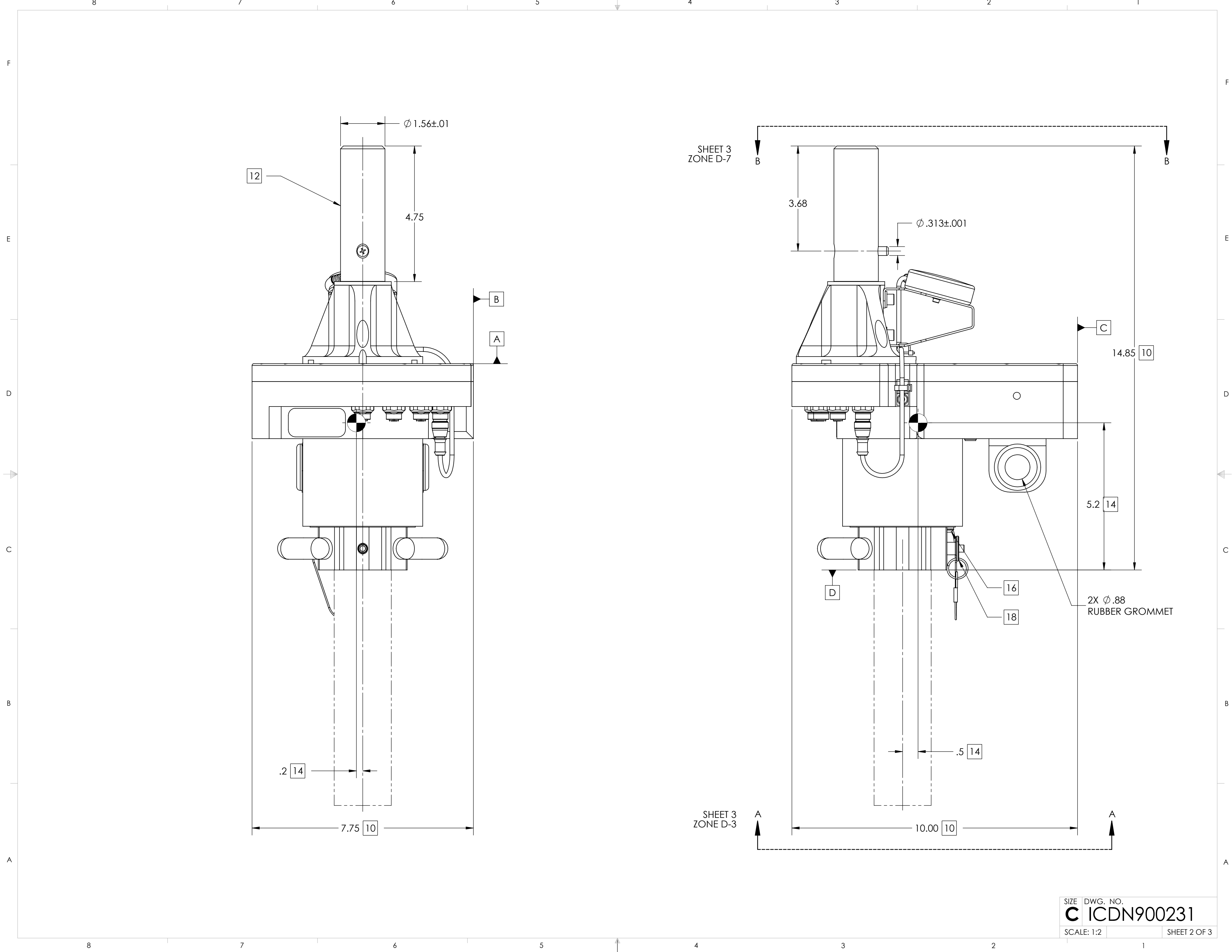


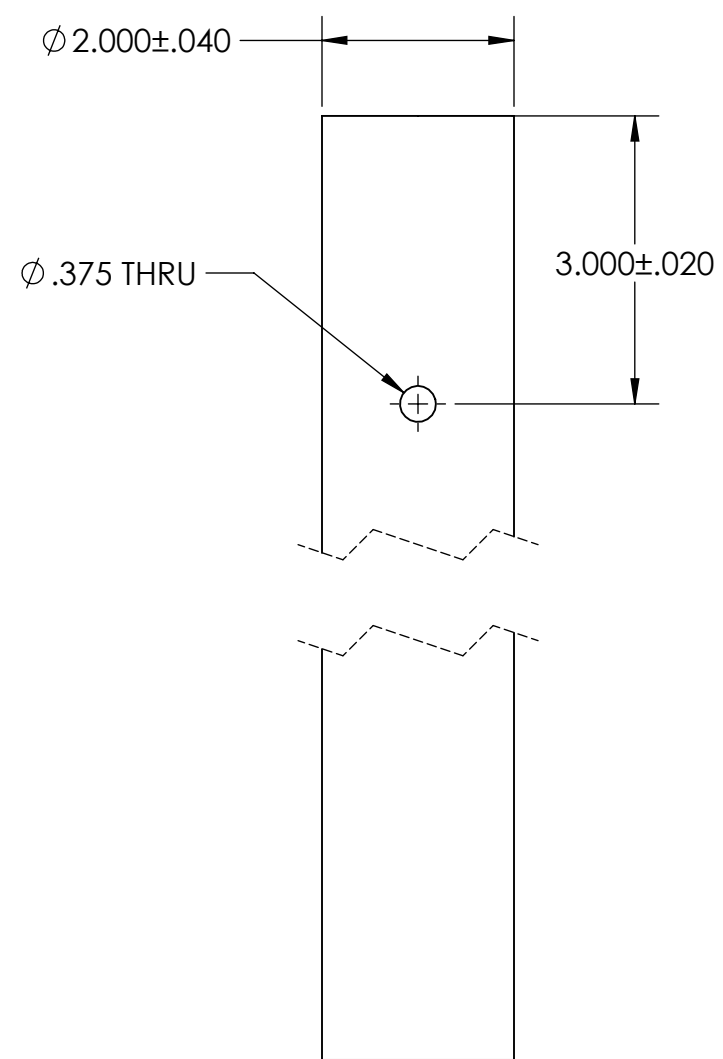
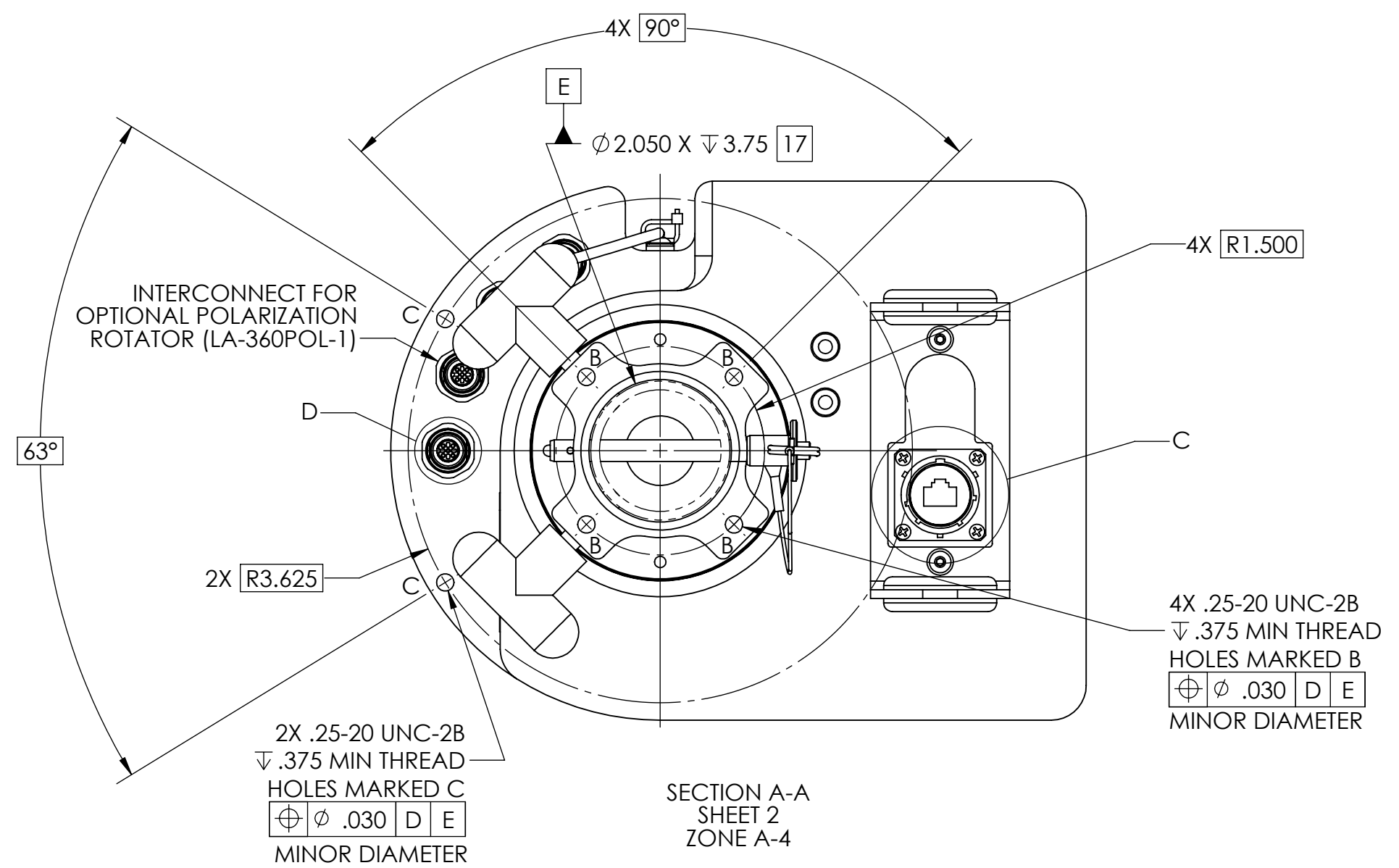
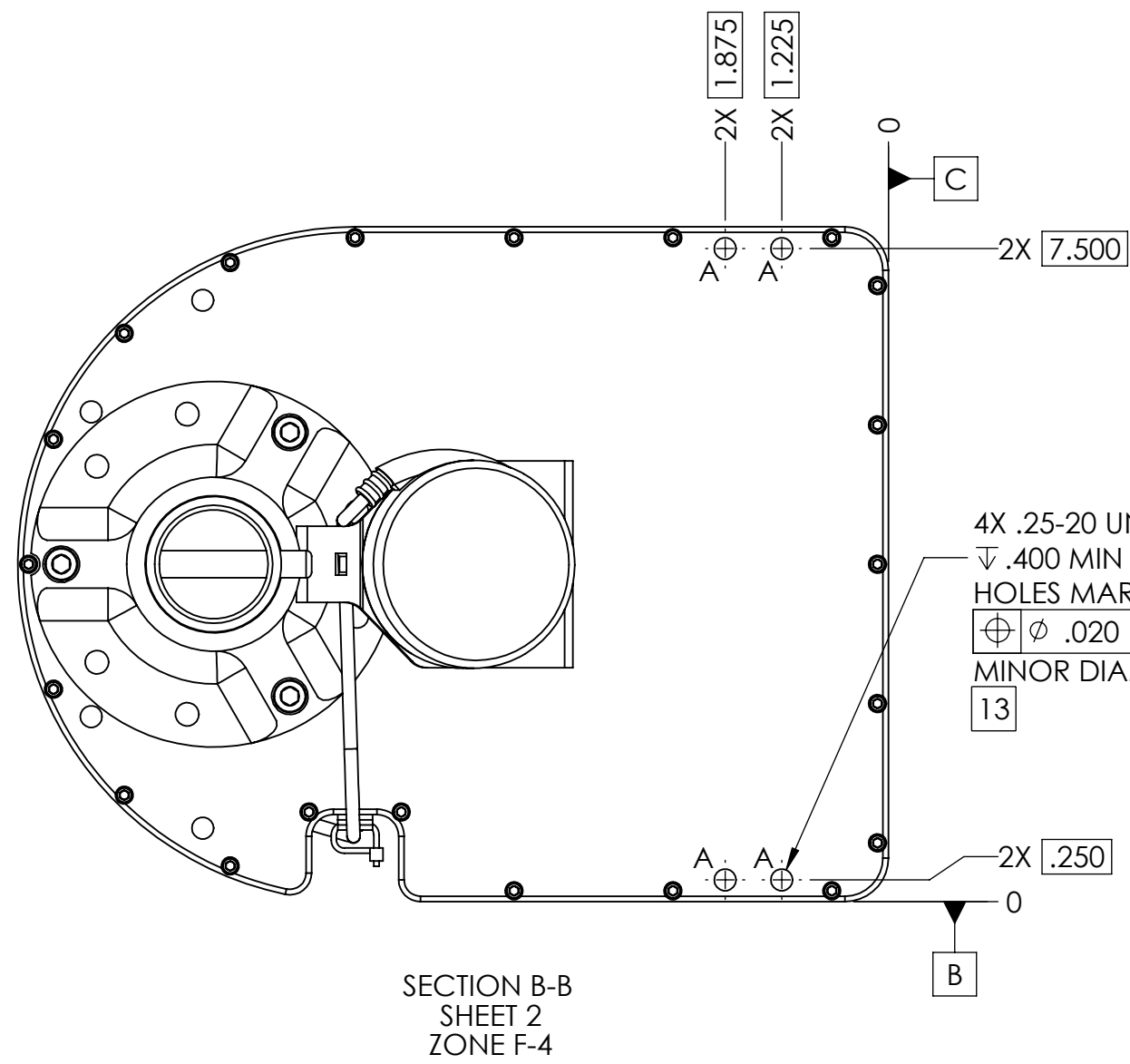
TABLE I	
<b>BUILDING A PART NUMBER</b>	<b>STANDARD OPTIONS</b>
LA-360AZR - 10 - 100	<<EXAMPLE
	<b>SHIELDED ETHERNET CABLE STANDARD LENGTHS</b>
	050 = 50 ft
	100 = 100 ft
	150 = 150 ft
	200 = 200 ft
	250 = 250 ft
	300 = 300 ft
	XXX = Custom length in feet
	XXXC = Add "C" to end of cable length for unterminated mating connector
	<b>CUSTOM CONFIGURATION</b>
	= Standard options - leave blank
	<b>MOTOR DRIVES AND PAYLOAD</b>
	10 = Az 20 ft-lbs @ 4.5°/s, 60 lb payload
	<b>MODEL</b>
	LA-360AZR = LinkAlign-360AZR (+/- 200° azimuth)

<b>SYMBOL KEY</b> <input type="checkbox"/> NOTE <input type="checkbox"/> PL ITEMS  <b>PROPRIETARY AND CONFIDENTIAL</b> THE INFORMATION CONTAINED IN THIS DRAWING IS THE SOLE PROPERTY OF QPARUSA. ANY REPRODUCTION IN PART OR AS A WHOLE WITHOUT THE WRITTEN PERMISSION OF QPAR ANTENNAS USA IS PROHIBITED.  QPAR ANTENNAS USA, LLC LAS VEGAS, NV 89121 <a href="http://www.qparusa.com">www.qparusa.com</a>	<b>UNLESS OTHERWISE SPECIFIED:</b> DIMENSIONS ARE IN INCHES TOLERANCES: ANGLE ± 5 DEGREES TWO PLACE DECIMAL ±.030 THREE PLACE DECIMAL ±.010  INTERPRET DIM AND TOL PER ASME Y14.5M - 1994  <b>THIRD ANGLE PROJECTION</b>  DO NOT SCALE DRAWING	DRAWN S. CHEYNE 2015-06-08 CHECKED C. CHEYNE 2018-07-30 ME APPR. S. CHEYNE 2015-06-08 EE APPR.	<b>QPAR ANTENNAS USA, LLC</b>  <b>TITLE:</b> QPAR LINKALIGN-360AZR-10 INTERFACE CONTROL DRAWING
		PART NO. <b>SEE TABLE I</b>	SIZE DWG. NO. REV <b>C</b> ICDN900231 <b>D</b>
		SCALE: 2:3	SHEET 1 OF 3

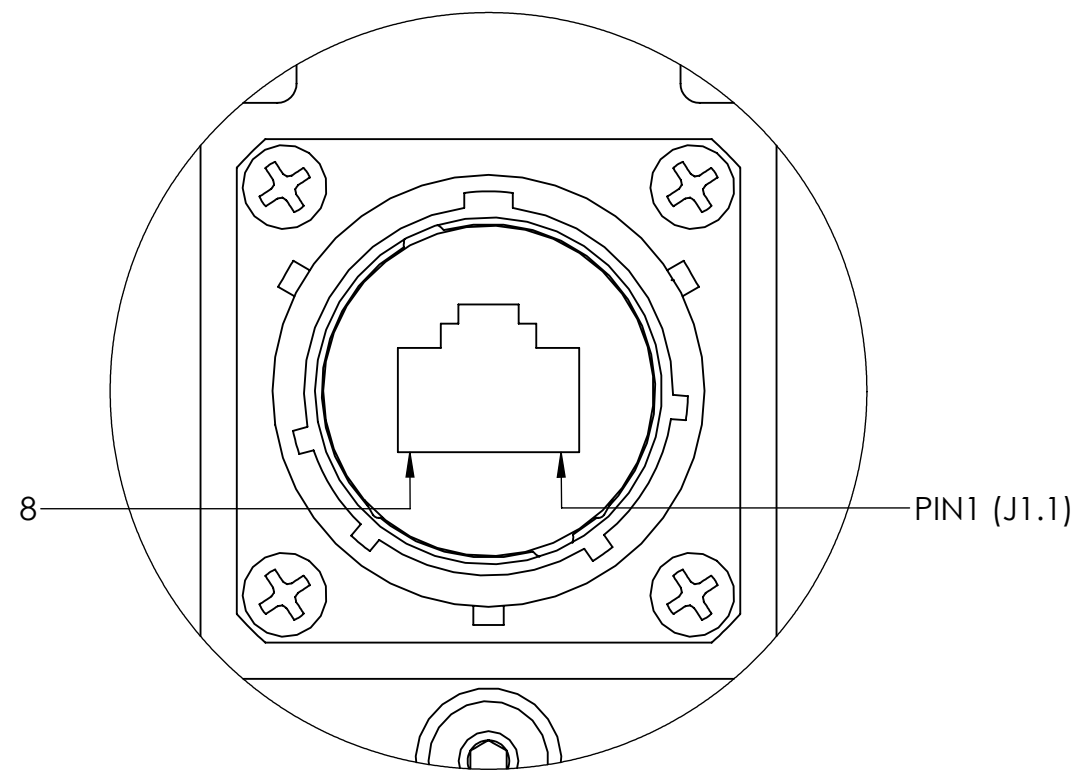


SHEET 3  
ZONE D-7

SHEET 3  
ZONE D-3

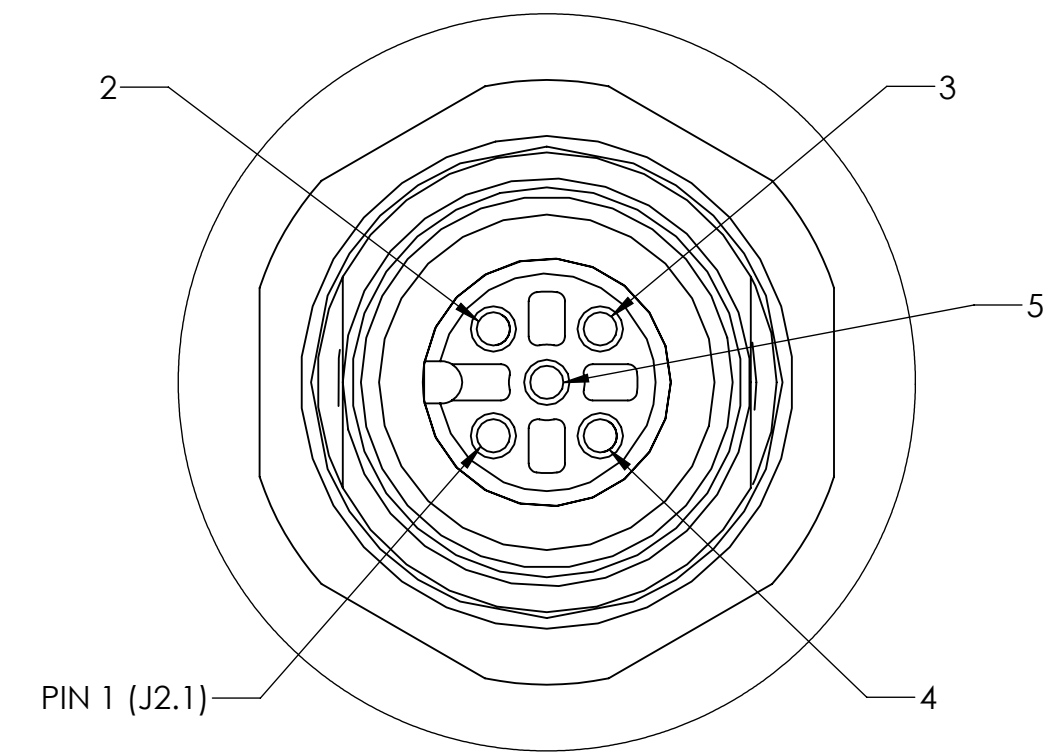


INTERCONNECT FOR POSITIONER PoE



J1 CONNECTOR SHOWN FROM MATING SIDE  
MATES WITH AMPHENOL P/N - RJF6B

INTERCONNECT FOR SERIAL INTERFACE



J2 CONNECTOR SHOWN FROM MATING SIDE  
MATES WITH TURCK P/N - 8151-0/PG9

**TABLE II (PoE CONNECTOR)**

CONNECTOR DESIGNATION	FUNCTION
J1.1	DATA PAIR 1
J1.2	DATA PAIR 1
J1.3	DATA PAIR 2
J1.4	+48-56VDC PoE POWER INPUT
J1.5	+48-56VDC PoE POWER INPUT
J1.6	DATA PAIR 2
J1.7	DC RETURN FOR PoE INPUT
J1.8	DC RETURN FOR PoE INPUT

**TABLE III (SERIAL CONNECTOR)**

CONNECTOR DESIGNATION	FUNCTION
J2.1	DC RETURN FOR QPARUSA JOYSTICK
J2.2	NOT USED
J2.3	(B) TxD-/RxD- DATA LINE
J2.4	(A) TxD+/RxD+ DATA LINE
J2.5	DC POWER FOR QPARUSA JOYSTICK