

REV	DESCRIPTION	DATE	APPROVED
B	CN600567	2018-08-06	CLC

NOTES: UNLESS OTHERWISE SPECIFIED

1. QPAR LINKALIGN-360RPT-20 CONFIGURABLE OPTIONS PER TABLE I. PART NUMBER QLA-360RPT-20-100 SHOWN THROUGHOUT THIS DRAWING. PoE CABLE SHOWN NOT TO SCALE
2. USE INTERFACE CONTROL DRAWING IN CONJUNCTION WITH DATASHEET N500124
3. 48-56VDC, POWER SUPPLY INCLUDED WITH POSITIONER. NOT SHOWN IN DRAWING
4. HARD COAT ANODIZE ALUMINUM CONSTRUCTION WITH STAINLESS STEEL HARDWARE
5. 400° (+/-200°) AZIMUTH TRAVEL WITH 2.2°/SEC DRIVE RATE (NO LOAD)
6. 20° (+/-10°) ELEVATION TRAVEL WITH 2.0°/SEC DRIVE RATE (NO LOAD)
7. -22° TO 140°F (-30° TO 60°C) OPERATIONAL TEMPERATURE RANGE. -40 TO 158°F (-40 TO 70°C) NON-OPERATIONAL TEMPERATURE RANGE
8. 0.1° FEEDBACK RESOLUTION IN ALL AXES
9. AZIMUTH BACKLASH LESS THAN 0.15°. ELEVATION BACKLASH LESS THAN 1°
- 10 15.32" (38.9 cm) HIGH X 9.12" (23.2 cm) WIDE X 11.06" (28.1 cm) DEEP. DIMENSIONS APPLY WHEN POSITIONER IS AT 0° AZIMUTH AND 0° ELEVATION ANGLES
11. WEIGHT APPROXIMATELY 21.0 LBS (9.5 kg) NOT INCLUDING PoE CABLE
- 12 PAYLOAD SHALL NOT EXCEED 90 LBS OR 100 FT-LBS OF TORQUE ABOUT THE ELEVATION AXIS. TO CALCULATE TORQUE, TAKE THE DISTANCE FROM THE PAYLOAD CENTER OF GRAVITY TO DATUM -H- IN FEET AND MULTIPLY BY THE PAYLOAD WEIGHT. SEVERAL ANTENNA BRACKET OPTIONS AVAILABLE THAT INTERFACE DIRECTLY WITH FEATURES SHOWN. GO TO www.qparusa.com TO LEARN MORE
- 13 RADIO OR AUXILIARY EQUIPMENT MOUNTING FEATURES (BOTH SIDES). 10 LBS MAX
- 14 CENTER OF GRAVITY 0.2" (0.51 cm) IN THE X-DIRECTION, 6.9" (17.5 cm) IN THE Y-DIRECTION AND 1.7" (4.3 cm) IN THE Z-DIRECTION. X & Z MEASURED FROM THE CENTER OF THE 2.00" DIAMETER MOUNTING POLE
- 15 FOR PERMANENT INSTALLATIONS, IT IS RECOMMENDED THAT THE (2) INDICATED 5/16-18 THREADED KNOBS BE REPLACED WITH (2) 5/16-18 X 1.000" LONG STAINLESS STEEL HEX HEAD FASTENERS. HARDWARE PROVIDED WITH UNIT. TORQUE TO 132 IN-LBS
- 16 POSITIONER IS AT AZIMUTH PEDESTAL 0° WHEN INDICATED FASTENER IS AT POSITION SHOWN WITH CLAMPING KNOBS IN THE BACK AS SHOWN
- 17 POSITIONER CLAMPS TO STANDARD 2" OUTSIDE DIAMETER MAST (NOT INCLUDED). OPTIONAL MIDMOUNT KIT AVAILABLE TO ADAPT TO MAST DIAMETERS UP TO 6". GO TO www.qparusa.com TO LEARN MORE
- 18 5/16" QUICK RELEASE PIN TO SECURE POSITIONER TO MAST AND PREVENT ROTATION
- 19 MOUNTING HOLES FOR OPTIONAL COUNTER WEIGHT KIT, P/N - ACC-N900281-1

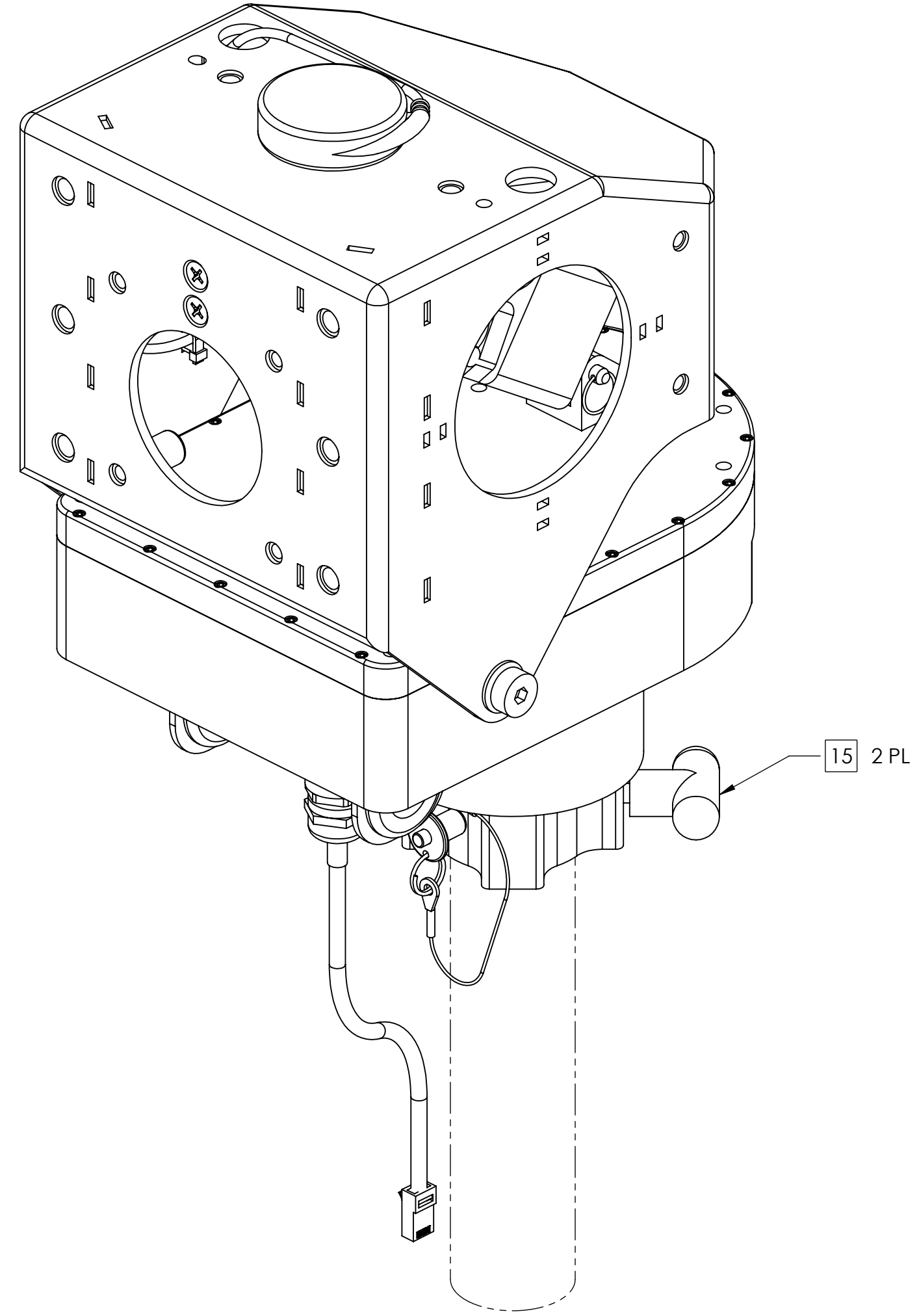

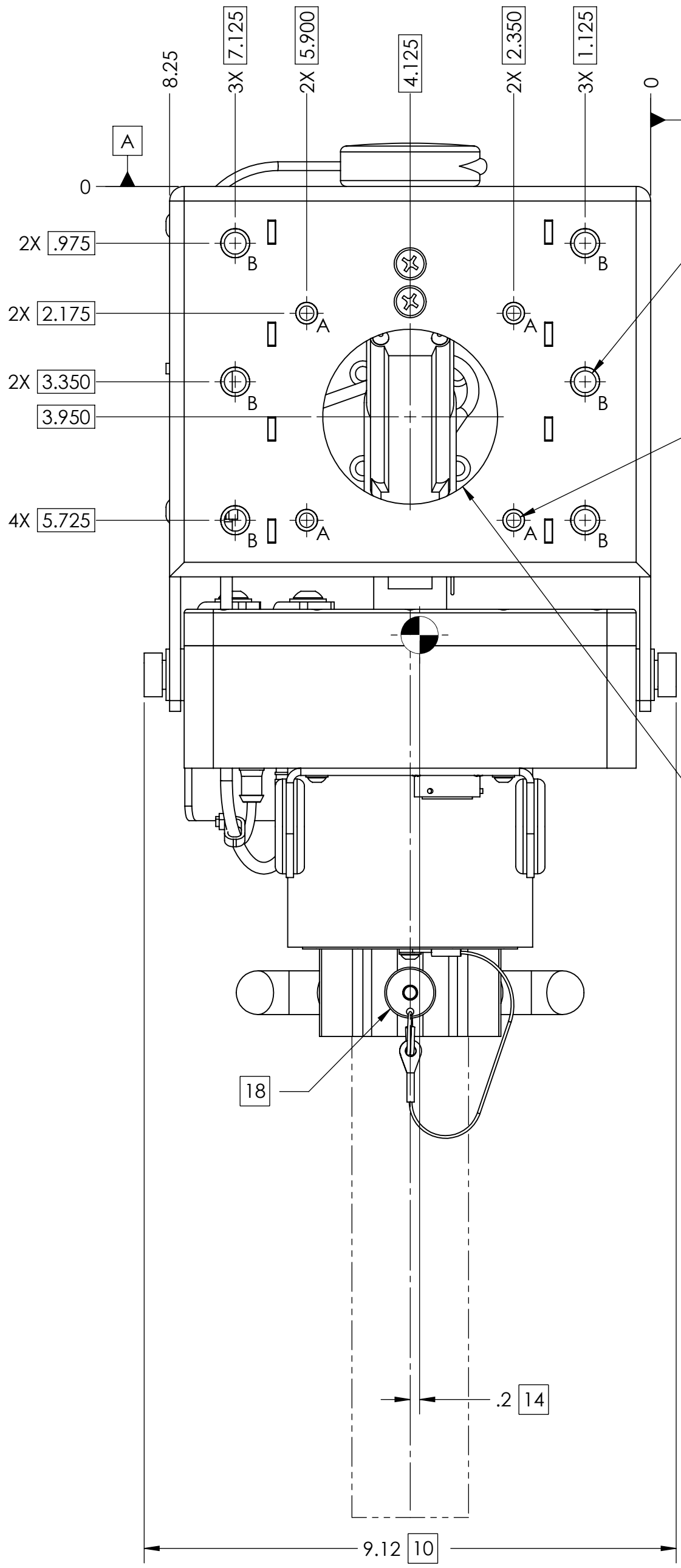


TABLE I	
BUILDING A PART NUMBER	STANDARD OPTIONS
LA-360RPT - 20 - 100	<<EXAMPLE
	SHIELDED ETHERNET CABLE STANDARD LENGTHS
	050 = 50 ft
	100 = 100 ft
	150 = 150 ft
	200 = 200 ft
	250 = 250 ft
	300 = 300 ft
	XXX = Custom length in feet
	XXXC = Add "C" to end of cable length for unterminated mating connector
	CUSTOM CONFIGURATION
	= Standard options - leave blank
	MOTOR DRIVES AND PAYLOAD
	20 = Az 60 ft-lbs @ 2.2°/s, El 100 ft-lbs @ 2°/s, 90 lb payload. Typically paired with 2-3 ft antenna (+/-200° azimuth, +/-10° elevation)
	MODEL
	LA-360RPT = LinkAlign-360RPT (See motor drives and payload section for positioner travel range info)

SYMBOL KEY <input type="checkbox"/> NOTE <input type="checkbox"/> PL ITEMS PROPRIETARY AND CONFIDENTIAL THE INFORMATION CONTAINED IN THIS DRAWING IS THE SOLE PROPERTY OF QPARUSA. ANY REPRODUCTION IN PART OR AS A WHOLE WITHOUT THE WRITTEN PERMISSION OF QPAR ANTENNAS USA IS PROHIBITED. QPAR ANTENNAS USA, LLC LAS VEGAS, NV 89121 www.qparusa.com	UNLESS OTHERWISE SPECIFIED: DIMENSIONS ARE IN INCHES TOLERANCES: ANGLE ± .5 DEGREES TWO PLACE DECIMAL ±.030 THREE PLACE DECIMAL ±.010 INTERPRET DIM AND TOL PER ASME Y14.5M - 1994 THIRD ANGLE PROJECTION  DO NOT SCALE DRAWING	DRAWN S. CHEYNE 2016-01-07 CHECKED C. CHEYNE 2018-08-06 ME APPR. S. CHEYNE 2016-01-07 EE APPR.	QPAR ANTENNAS USA, LLC TITLE: QPAR LINKALIGN-360RPT-20 INTERFACE CONTROL DRAWING
		PART NO. SEE TABLE I	SIZE DWG. NO. REV C ICDN900355 B
		SCALE: 1:2	SHEET 1 OF 4

8 7 6 5 4 3 2 1

F
E
D
C
B
A



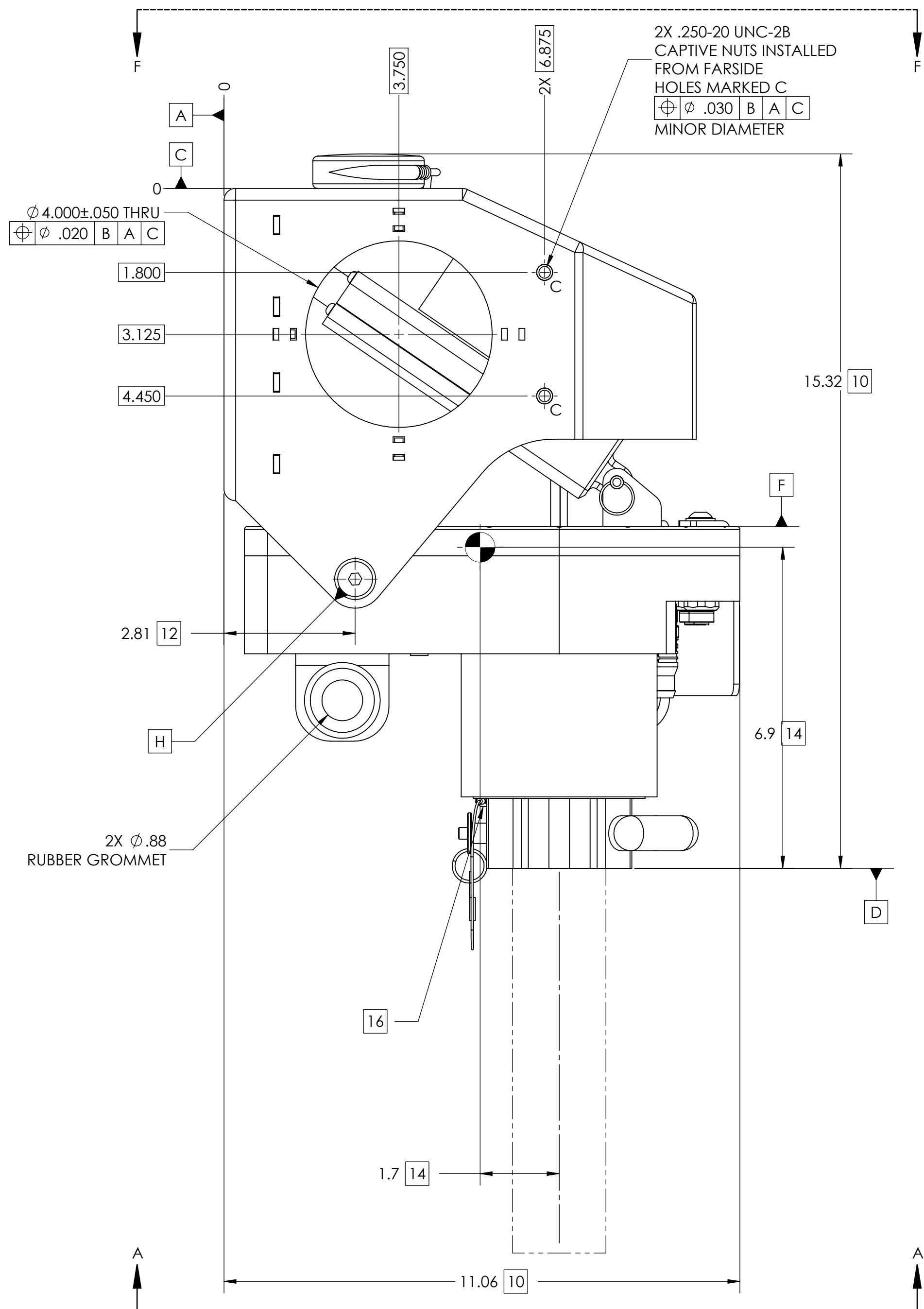
6X .375-16 UNC-2B
CAPTIVE NUT INSTALLED
FROM FAR SIDE
HOLES MARKED B
 $\oplus \phi .030$ A B C
MINOR DIAMETER

4X .250-20 UNC-2B
CAPTIVE THUMB NUTS
 $\nabla .500 - \nabla .750$ THREAD DEPTH
HOLES MARKED A
 $\oplus \phi .020$ A B C
MINOR DIAMETER

$\phi 3.000 \pm .050$ THRU
 $\oplus \phi .020$ A B C

ANTENNA MOUNTING FEATURES

12



2X .250-20 UNC-2B
CAPTIVE NUTS INSTALLED
FROM FAR SIDE
HOLES MARKED C
 $\oplus \phi .030$ B A C
MINOR DIAMETER

$\phi 4.000 \pm .050$ THRU
 $\oplus \phi .020$ B A C

2X $\phi .88$
RUBBER GROMMET

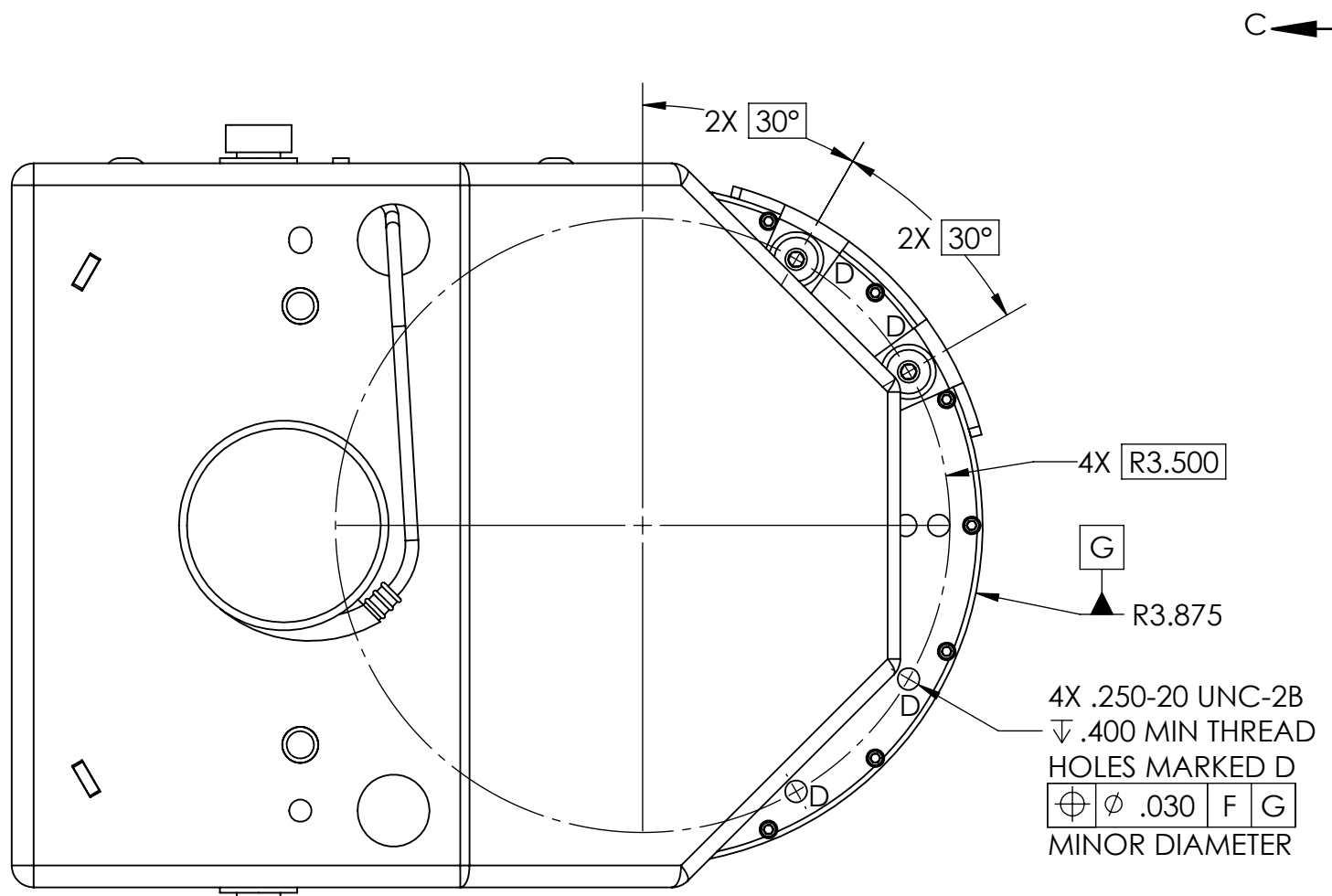
RADIO OR AUXILIARY EQUIPMENT MOUNTING FEATURES

13

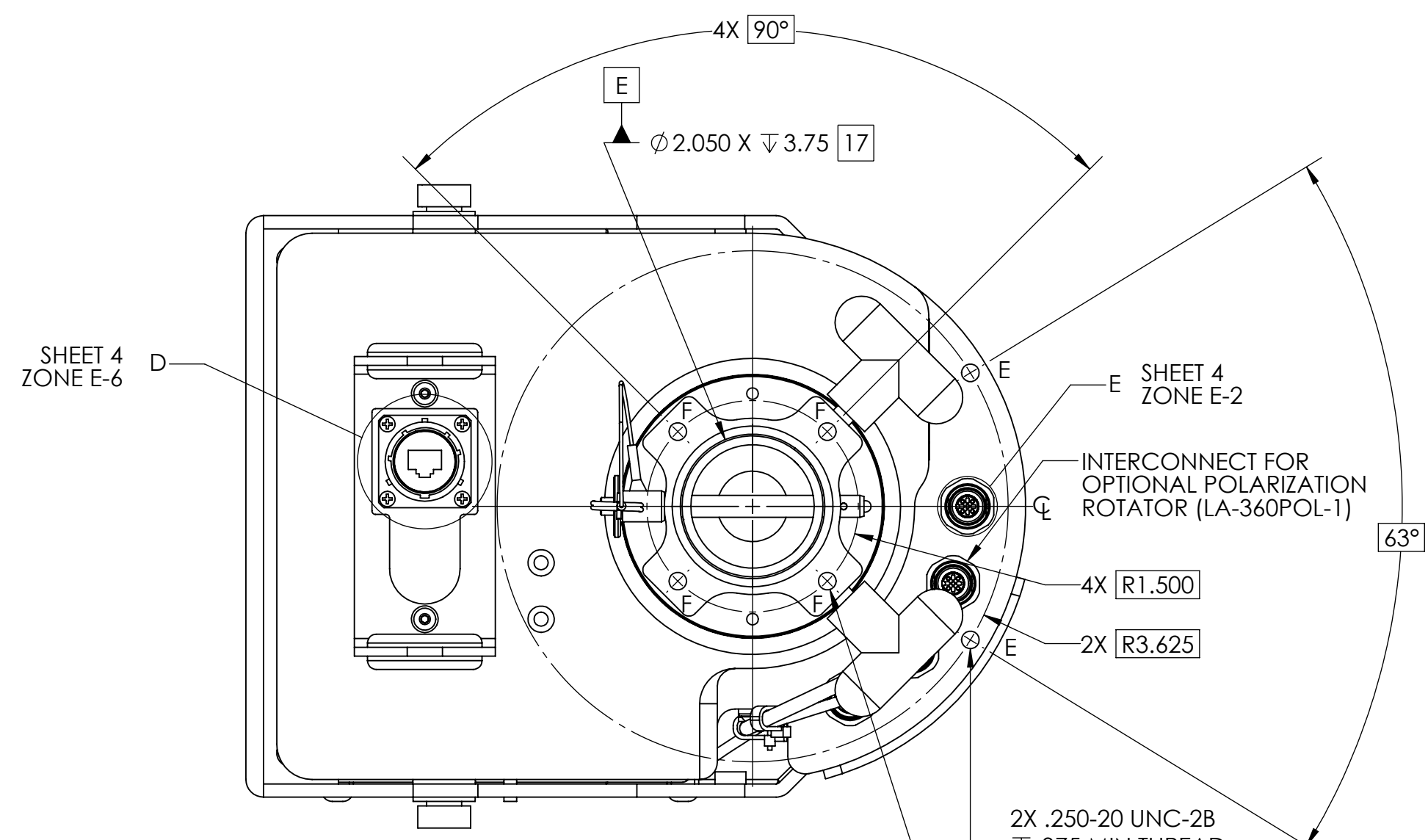
SHEET 3
ZONE D-7

SHEET 3
ZONE B-3

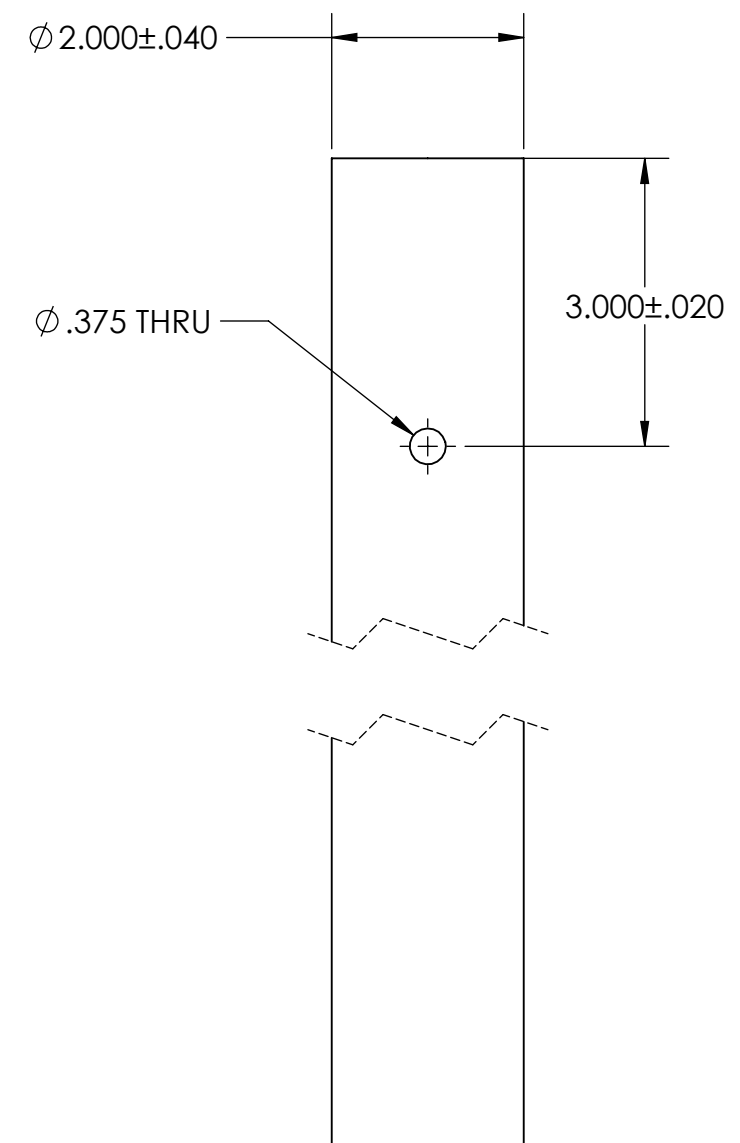
8 7 6 5 4 3 2 1



SECTION B-B
 SHEET 2
 ZONE F-1

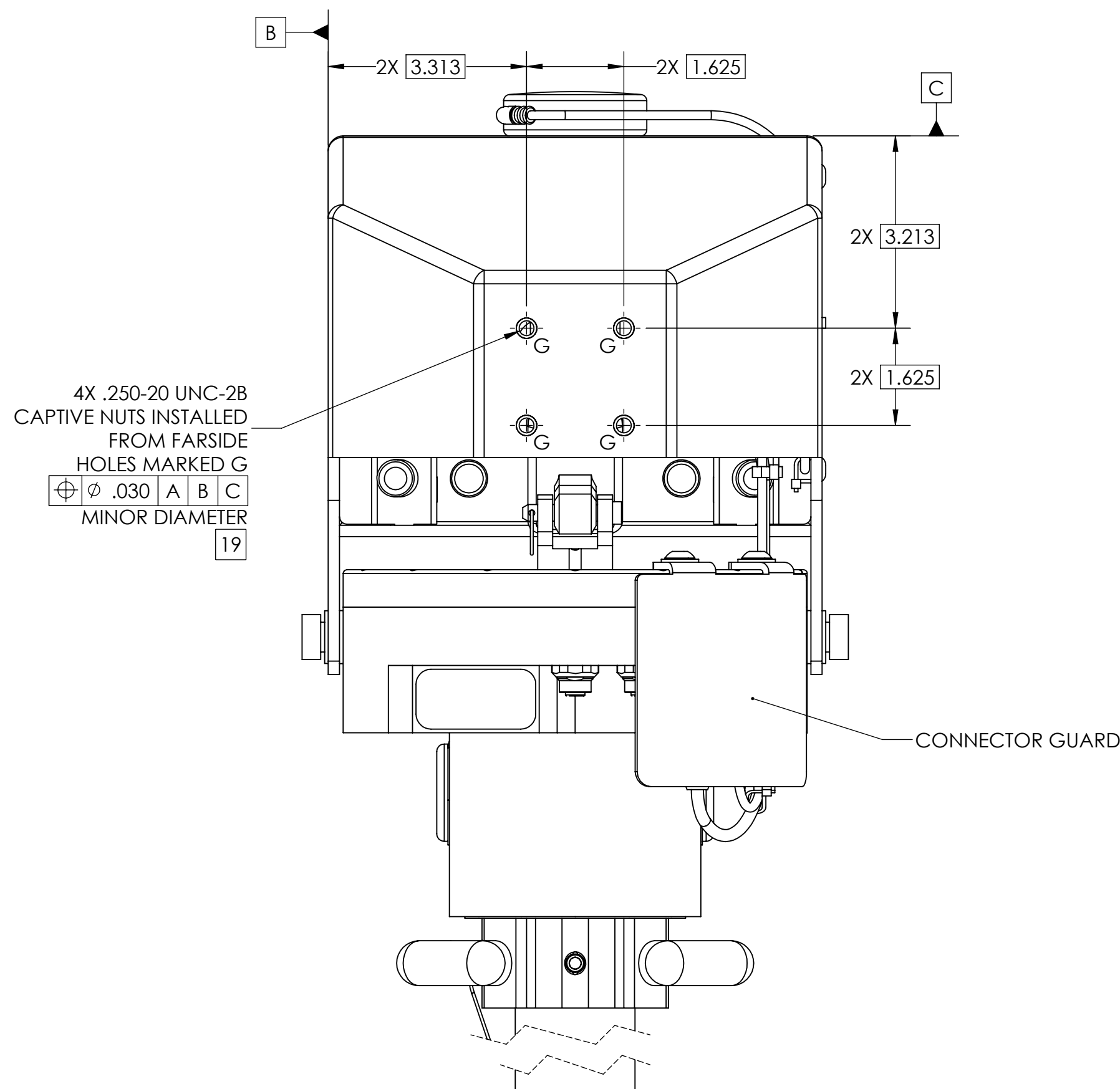


SECTION A-A
 SHEET 2
 ZONE A-3



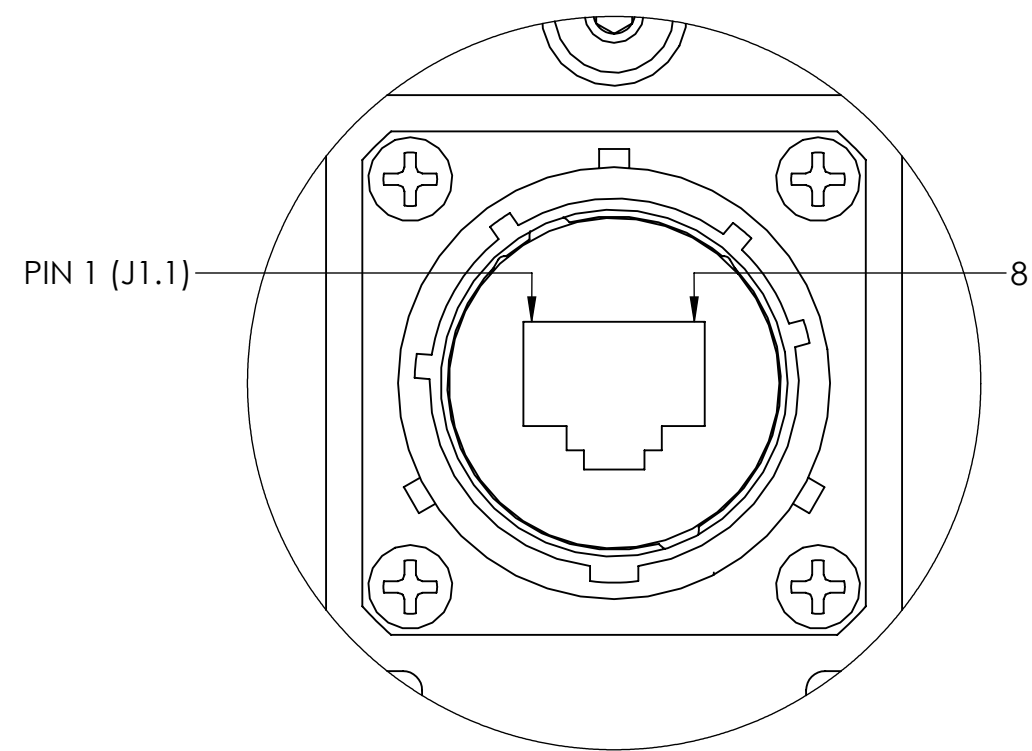
SUGGESTED POSITIONER
 MAST DIMENSIONS

17



SECTION C-C

INTERCONNECT FOR POSITIONER PoE

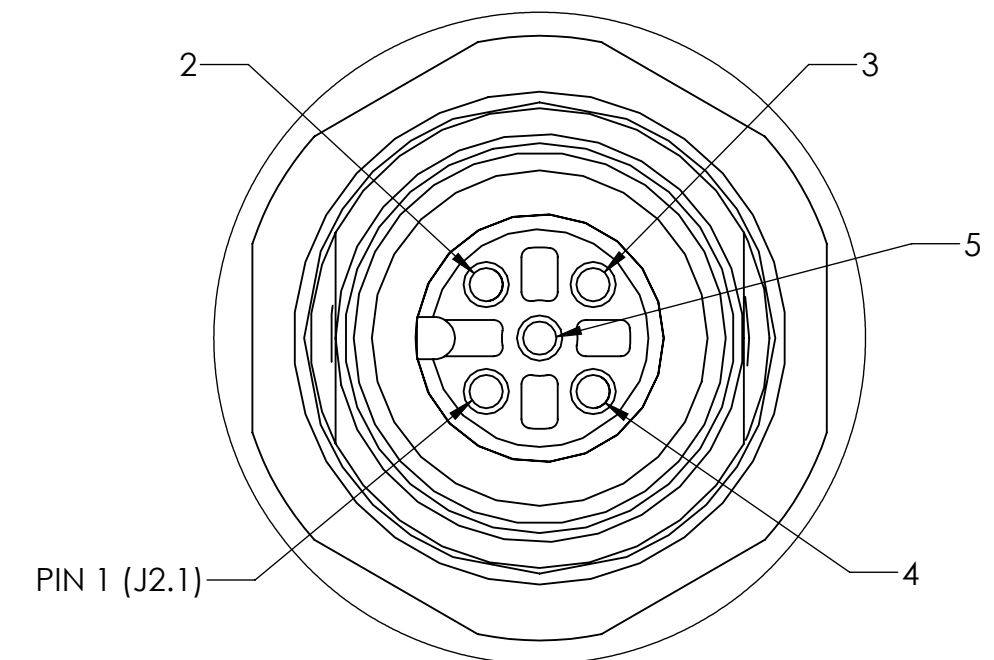


J1 CONNECTOR SHOWN FROM MATING SIDE
MATES WITH AMPHENOL P/N - RJF6B

DETAIL D
SCALE 2 : 1
SHEET 3
ZONE E-3
SEE TABLE II FOR PINOUT DETAILS

TABLE II (PoE CONNECTOR)	
CONNECTOR DESIGNATION	FUNCTION
J1.1	DATA PAIR 1
J1.2	DATA PAIR 1
J1.3	DATA PAIR 2
J1.4	+48-56VDC PoE POWER INPUT
J1.5	+48-56VDC PoE POWER INPUT
J1.6	DATA PAIR 2
J1.7	DC RETURN FOR PoE INPUT
J1.8	DC RETURN FOR PoE INPUT

INTERCONNECT FOR SERIAL INTERFACE



J2 CONNECTOR SHOWN FROM MATING SIDE
MATES WITH TURCK P/N - 8151-0/PG9

DETAIL E
SCALE 4 : 1
SHEET 3
ZONE E-2
SEE TABLE III FOR PINOUT DETAILS

TABLE III (SERIAL CONNECTOR)	
CONNECTOR DESIGNATION	FUNCTION
J2.1	DC RETURN FOR QPARUSA JOYSTICK
J2.2	NOT USED
J2.3	(B) TxD-/RxD- DATA LINE
J2.4	(A) TxD+/RxD+ DATA LINE
J2.5	DC POWER FOR QPARUSA JOYSTICK