

NOTES: UNLESS OTHERWISE SPECIFIED

1. QPAR LINKALIGN-360RPT-10 CONFIGURABLE OPTIONS PER TABLE I. PART NUMBER QLA-360RPT-10-100 SHOWN THROUGHOUT THIS DRAWING. PoE CABLE SHOWN NOT TO SCALE
2. USE INTERFACE CONTROL DRAWING IN CONJUNCTION WITH DATASHEET N500106
3. 48-56VDC POWER SUPPLY INCLUDED WITH POSITIONER. NOT SHOWN IN DRAWING
4. HARD COAT ANODIZE ALUMINUM CONSTRUCTION WITH STAINLESS STEEL HARDWARE
5. 400° (+/-200°) AZIMUTH TRAVEL WITH 4.5°/SEC DRIVE RATE (NO LOAD)
6. 20° (+/-10°) ELEVATION TRAVEL WITH 2.0°/SEC DRIVE RATE (NO LOAD)
7. -22° TO 140°F (-30° TO 60°C) OPERATIONAL TEMPERATURE RANGE. -40 TO 158°F (-40 TO 70°C) NON-OPERATIONAL TEMPERATURE RANGE
8. 0.1° FEEDBACK RESOLUTION IN ALL AXES
9. AZIMUTH BACKLASH LESS THAN 0.25°. ELEVATION BACKLASH LESS THAN 1°
10. 15.22" (38.7 cm) HIGH X 8.69" (22.1 cm) WIDE X 10.63" (27.0 cm) DEEP. DIMENSIONS APPLY WHEN POSITIONER IS AT 0° AZIMUTH AND 0° ELEVATION ANGLES
11. WEIGHT APPROXIMATELY 17.4 LBS NOT INCLUDING PoE CABLE
12. PAYLOAD SHALL NOT EXCEED 45 LBS OR 40 FT-LBS OF TORQUE ABOUT THE ELEVATION AXIS. TO CALCULATE TORQUE, TAKE THE DISTANCE FROM THE PAYLOAD CENTER OF GRAVITY TO DATUM -H- IN FEET AND MULTIPLY BY THE PAYLOAD WEIGHT. SEVERAL ANTENNA BRACKET OPTIONS AVAILABLE THAT INTERFACE DIRECTLY WITH FEATURES SHOWN. GO TO [www.qparusa.com](http://www.qparusa.com) TO LEARN MORE
13. RADIO OR AUXILIARY EQUIPMENT MOUNTING FEATURES (BOTH SIDES). 10 LBS MAX
14. CENTER OF GRAVITY 0.1" (0.25 cm) IN THE X-DIRECTION, 6.4" (16.3 cm) IN THE Y-DIRECTION AND 1.6" (4.1 cm) IN THE Z-DIRECTION. X & Z MEASURED FROM THE CENTER OF THE 2.00" DIAMETER MOUNTING POLE
15. FOR PERMANENT INSTALLATIONS, IT IS RECOMMENDED THAT THE (2) INDICATED 5/16-18 THREADED KNOBS BE REPLACED WITH (2) 5/16-18 X 1.000" LONG STAINLESS STEEL HEX HEAD FASTENERS. HARDWARE PROVIDED WITH UNIT. TORQUE TO 132 IN-LBS
16. POSITIONER IS AT AZIMUTH PEDESTAL 0° WHEN INDICATED FASTENER IS AT POSITION SHOWN WITH CLAMPING KNOBS IN THE BACK AS SHOWN
17. POSITIONER CLAMPS TO STANDARD 2" OUTSIDE DIAMETER MAST (NOT INCLUDED). OPTIONAL MIDMOUNT KIT AVAILABLE TO ADAPT TO MAST DIAMETERS UP TO 6". GO TO [www.qparusa.com](http://www.qparusa.com) TO LEARN MORE
18. 5/16" QUICK RELEASE PIN TO SECURE POSITIONER TO MAST AND PREVENT ROTATION
19. MOUNTING HOLES FOR OPTIONAL COUNTER WEIGHT KIT, P/N - ACC-N900281-1

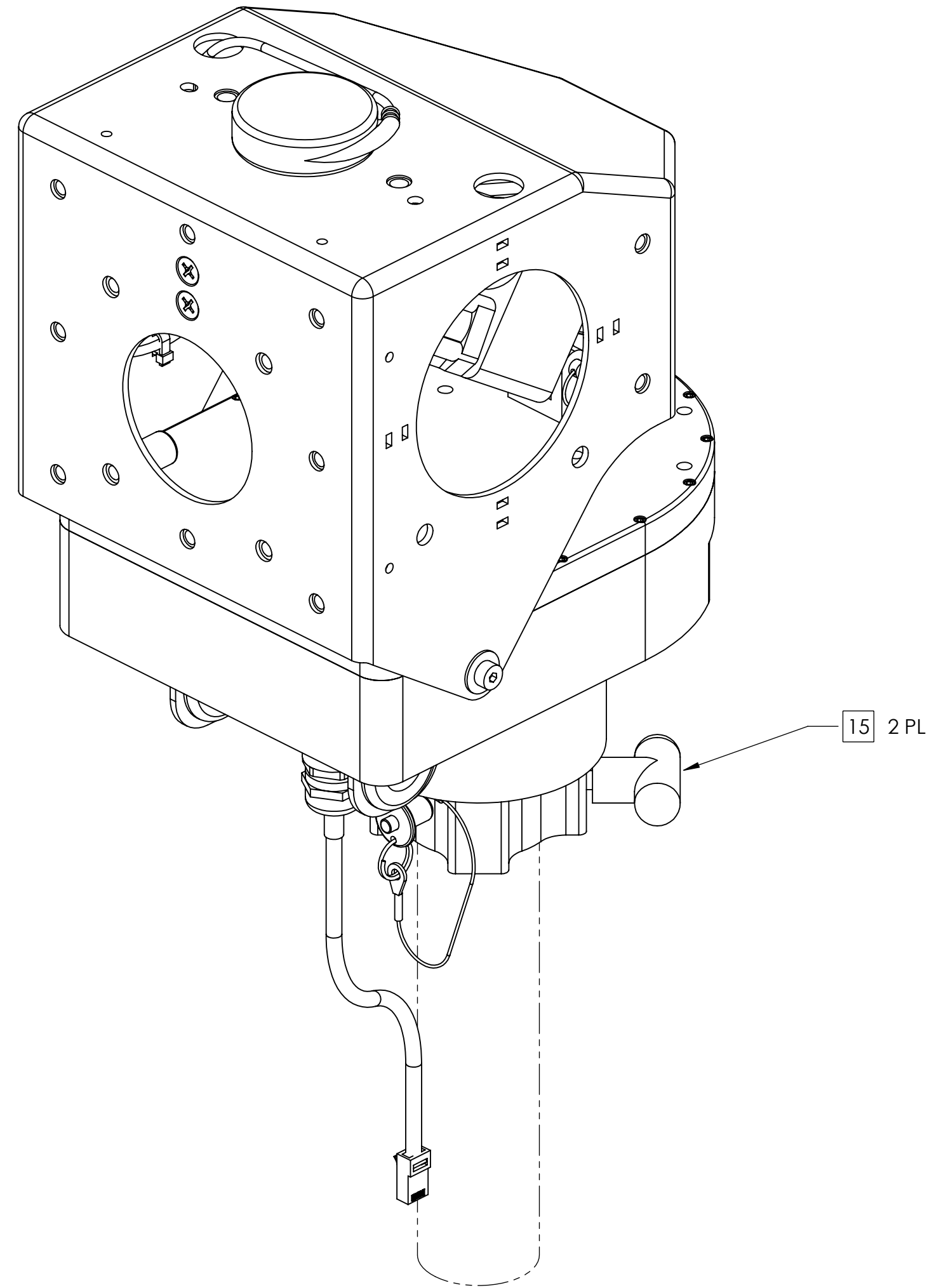

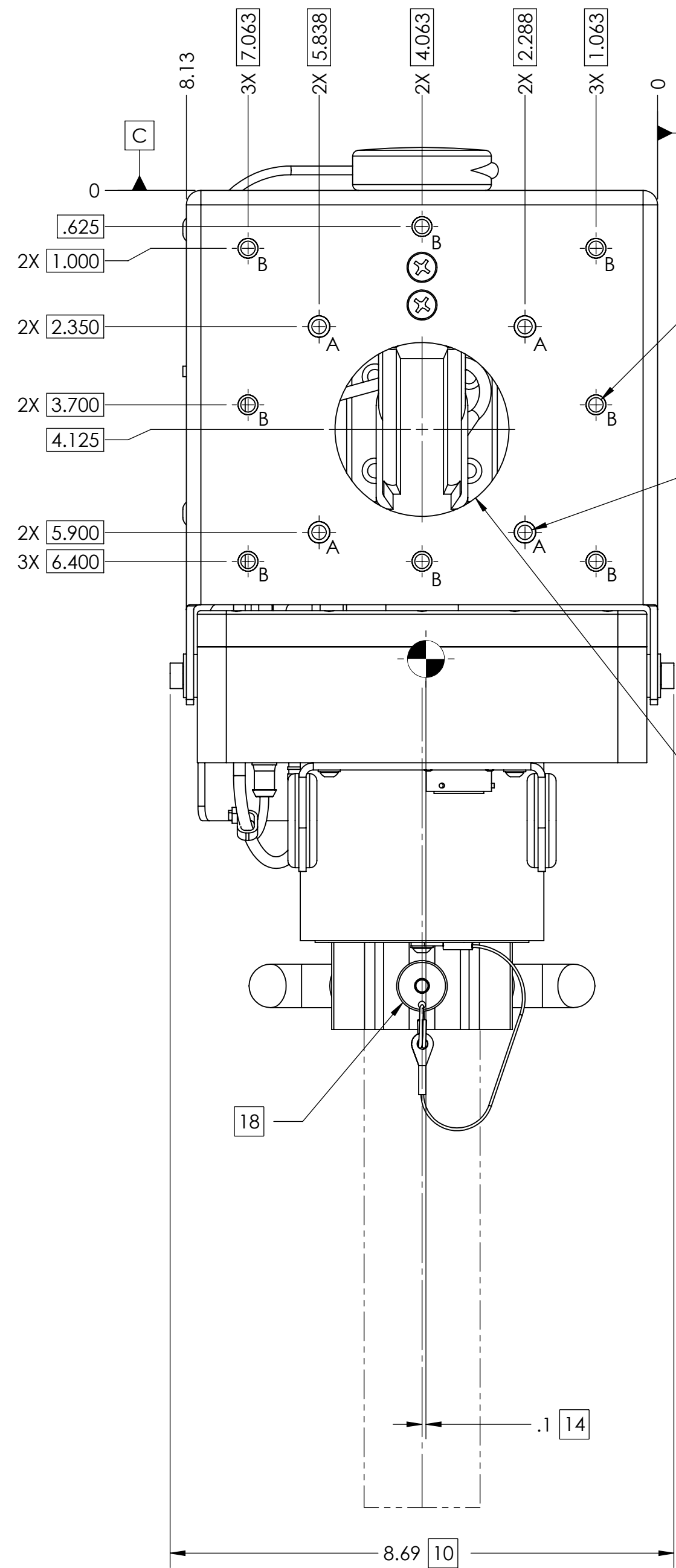


TABLE I	
<b>BUILDING A PART NUMBER</b>	<b>STANDARD OPTIONS</b>
LA-360RPT - 10 - - 100	<<EXAMPLE
	<b>SHIELDED ETHERNET CABLE STANDARD LENGTHS</b>
	050 = 50 ft
	100 = 100 ft
	150 = 150 ft
	200 = 200 ft
	250 = 250 ft
	300 = 300 ft
	XXX = Custom length in feet
	XXXC = Add "C" to end of cable length for unterminated mating connector
	<b>CUSTOM CONFIGURATION</b>
	= Standard options - leave blank
	<b>MOTOR DRIVES AND PAYLOAD</b>
	10 = Az 20 ft-lbs @ 4.5°/s, El 40 ft-lbs @ 2°/s, 45 lb payload. Typically paired with 1-2 ft antenna (+/-220° azimuth, +/-10° elevation)
	<b>MODEL</b>
	LA-360RPT = LinkAlign-360RPT (See motor drives and payload section for positioner travel range info)

<b>SYMBOL KEY</b> <input type="checkbox"/> NOTE <input type="checkbox"/> PL ITEMS  <b>PROPRIETARY AND CONFIDENTIAL</b> THE INFORMATION CONTAINED IN THIS DRAWING IS THE SOLE PROPERTY OF QPARUSA. ANY REPRODUCTION IN PART OR AS A WHOLE WITHOUT THE WRITTEN PERMISSION OF QPAR ANTENNAS USA IS PROHIBITED.  QPAR ANTENNAS USA, LLC LAS VEGAS, NV 89121 <a href="http://www.qparusa.com">www.qparusa.com</a>	<b>UNLESS OTHERWISE SPECIFIED:</b> DIMENSIONS ARE IN INCHES TOLERANCES: ANGLE ± 5 DEGREES TWO PLACE DECIMAL ±.030 THREE PLACE DECIMAL ±.010  INTERPRET DIM AND TOL PER ASME Y14.5M - 1994  <b>THIRD ANGLE PROJECTION</b>  DO NOT SCALE DRAWING	DRAWN S. CHEYNE 2011-10-13 CHECKED C. CHEYNE 2018-07-25 ME APPR. S. CHEYNE 2011-10-13 EE APPR.	<b>QPAR ANTENNAS USA, LLC</b>  <b>TITLE:</b> QPAR LINKALIGN-360RPT-10 INTERFACE CONTROL DRAWING
		PART NO. <b>SEE TABLE I</b>	SIZE DWG. NO. REV <b>C ICDN900147 L</b>



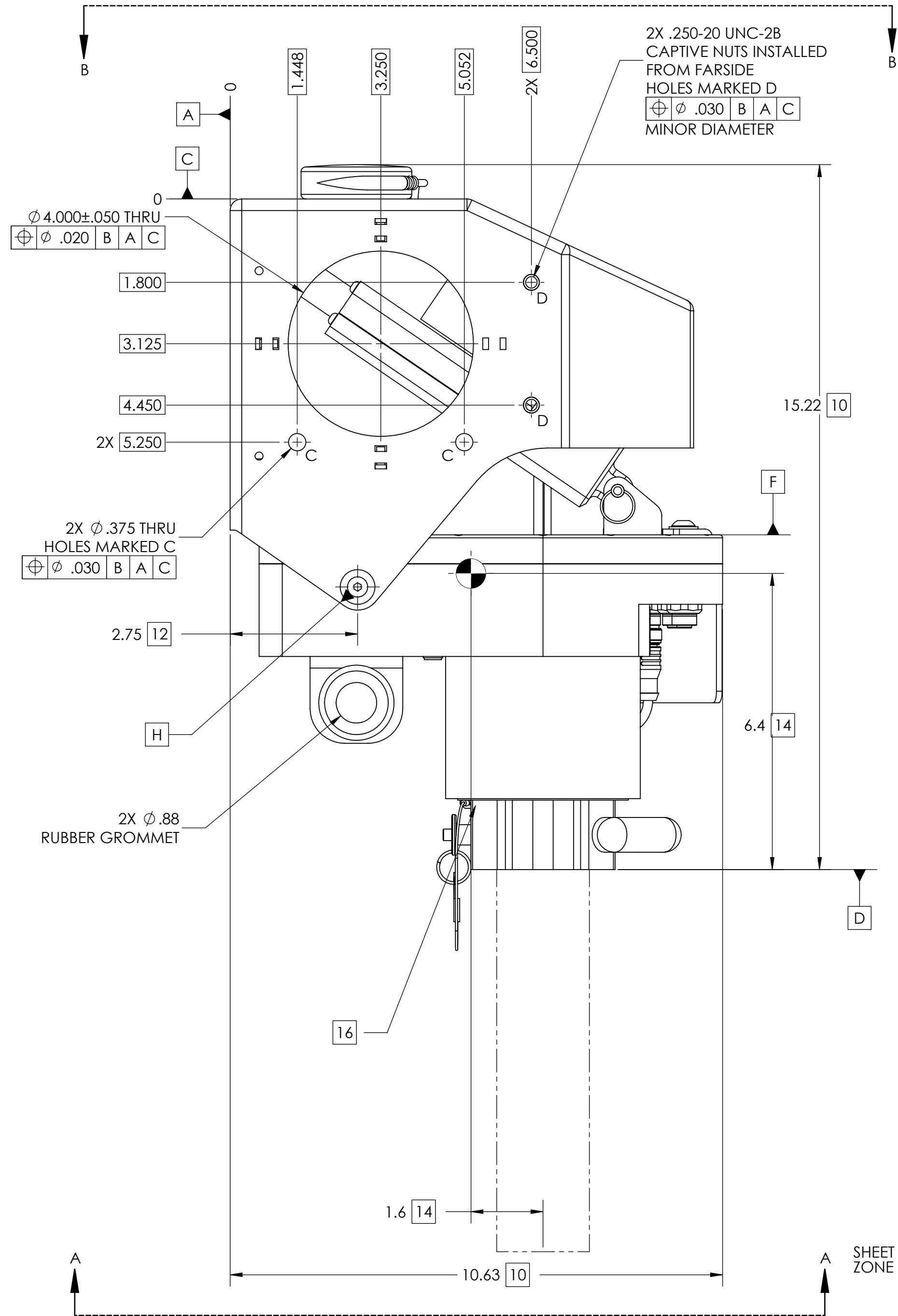
8X .250-20 UNC-2B CAPTIVE NUTS INSTALLED FROM FAR SIDE HOLES MARKED B  
 $\oplus \phi .030$  A B C  
 MINOR DIAMETER

4X .250-20 UNC-2B CAPTIVE THUMB NUTS  $\nabla .500 - \nabla .750$  THREAD DEPTH HOLES MARKED A  
 $\oplus \phi .020$  A B C  
 MINOR DIAMETER

$\phi 3.000 \pm .050$  THRU  
 $\oplus \phi .020$  A B C

ANTENNA MOUNTING FEATURES

12



2X .250-20 UNC-2B CAPTIVE NUTS INSTALLED FROM FAR SIDE HOLES MARKED D  
 $\oplus \phi .030$  B A C  
 MINOR DIAMETER

$\phi 4.000 \pm .050$  THRU  
 $\oplus \phi .020$  B A C

2X  $\phi .375$  THRU HOLES MARKED C  
 $\oplus \phi .030$  B A C

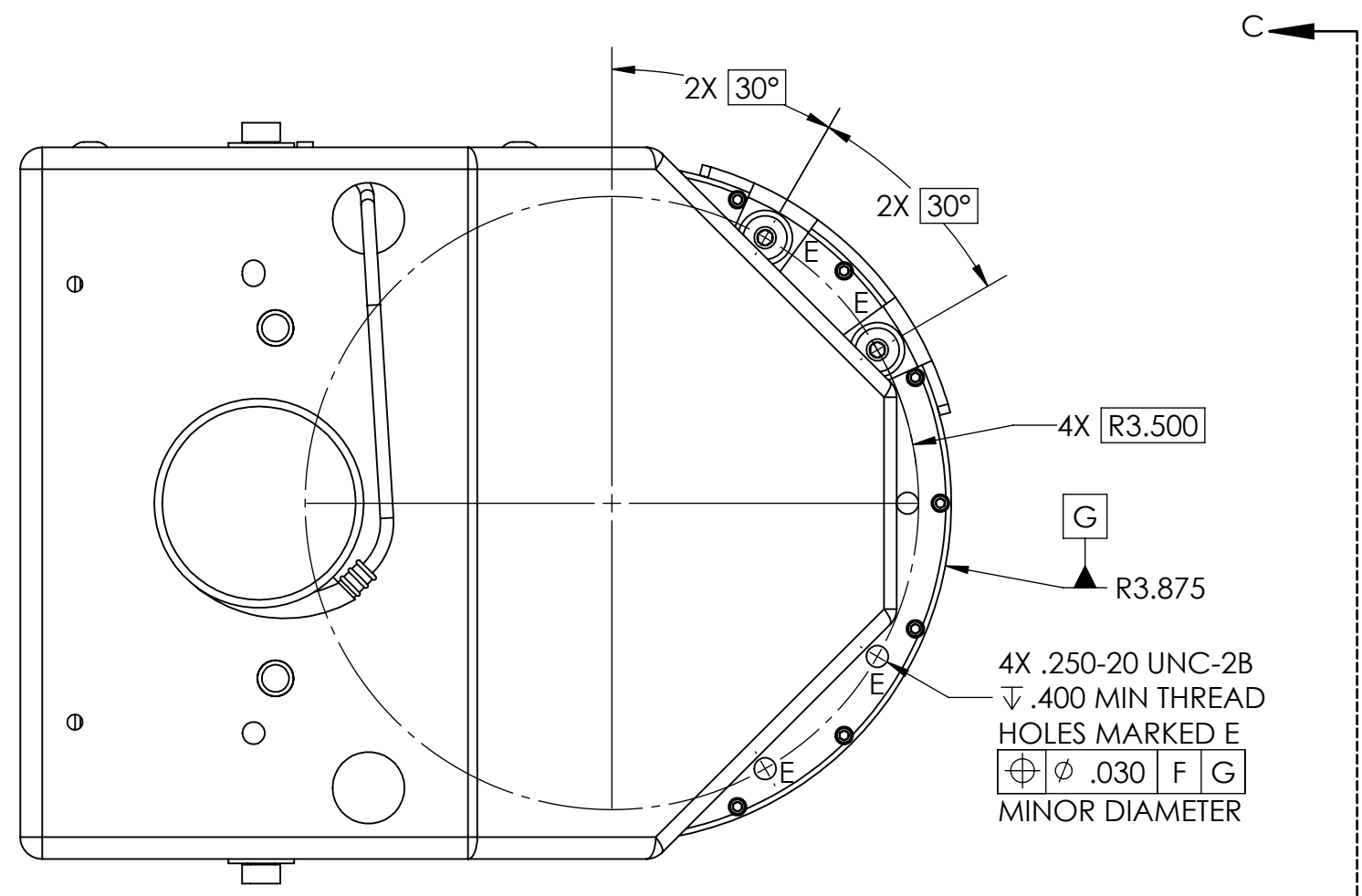
2X  $\phi .88$  RUBBER GROMMET

RADIO OR AUXILIARY EQUIPMENT MOUNTING FEATURES

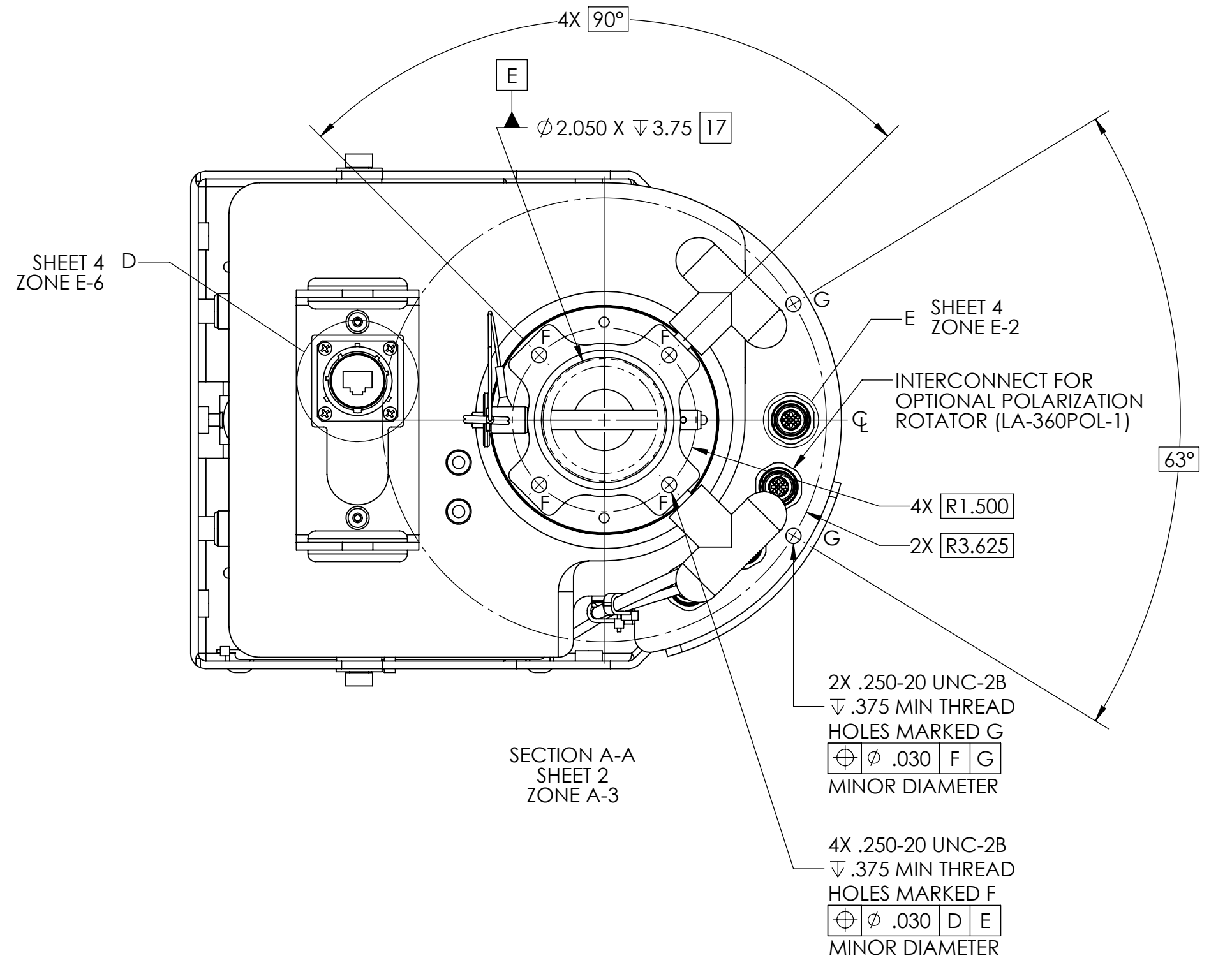
13

SHEET 3 ZONE D-7

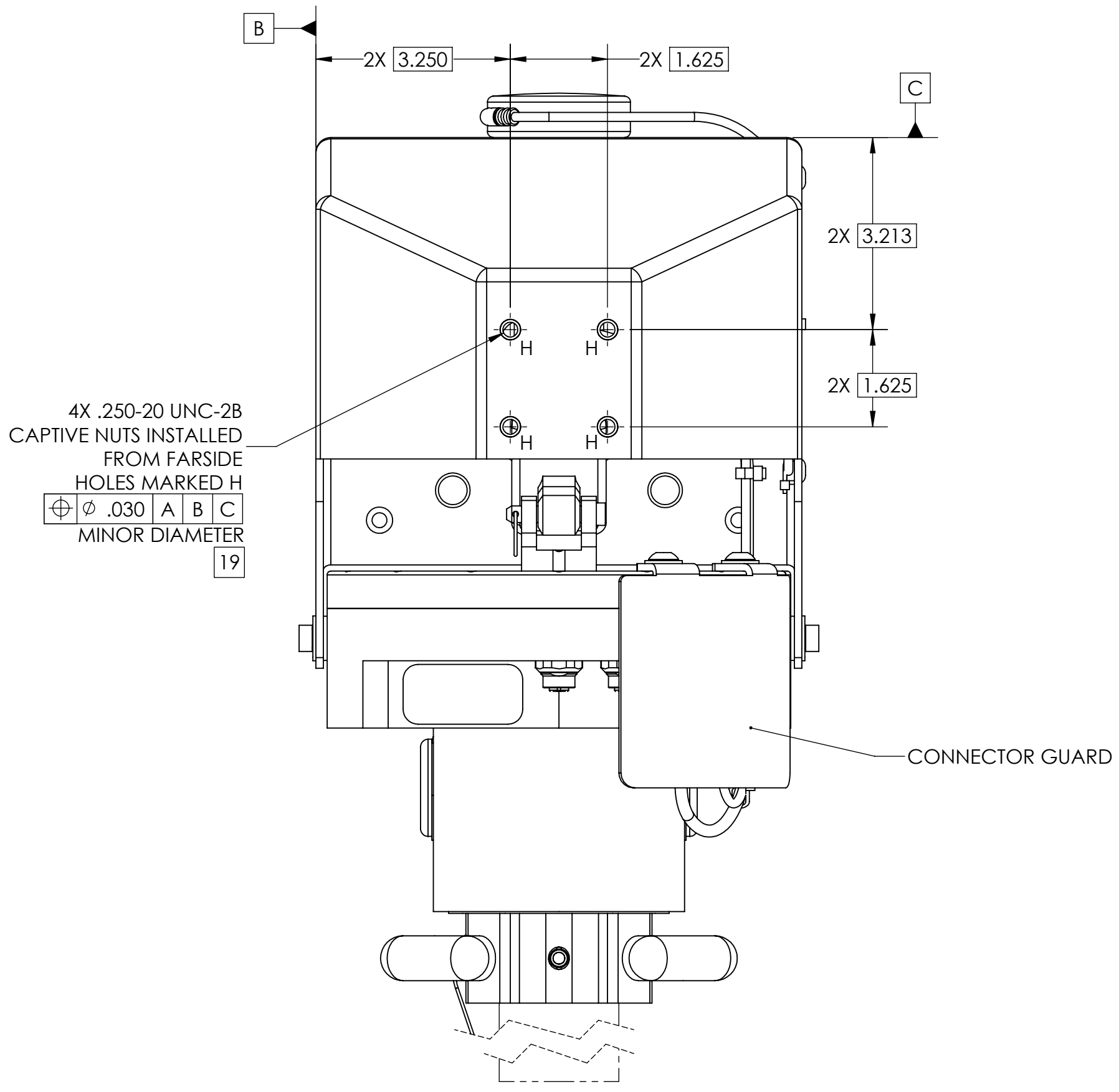
SHEET 3 ZONE B-3



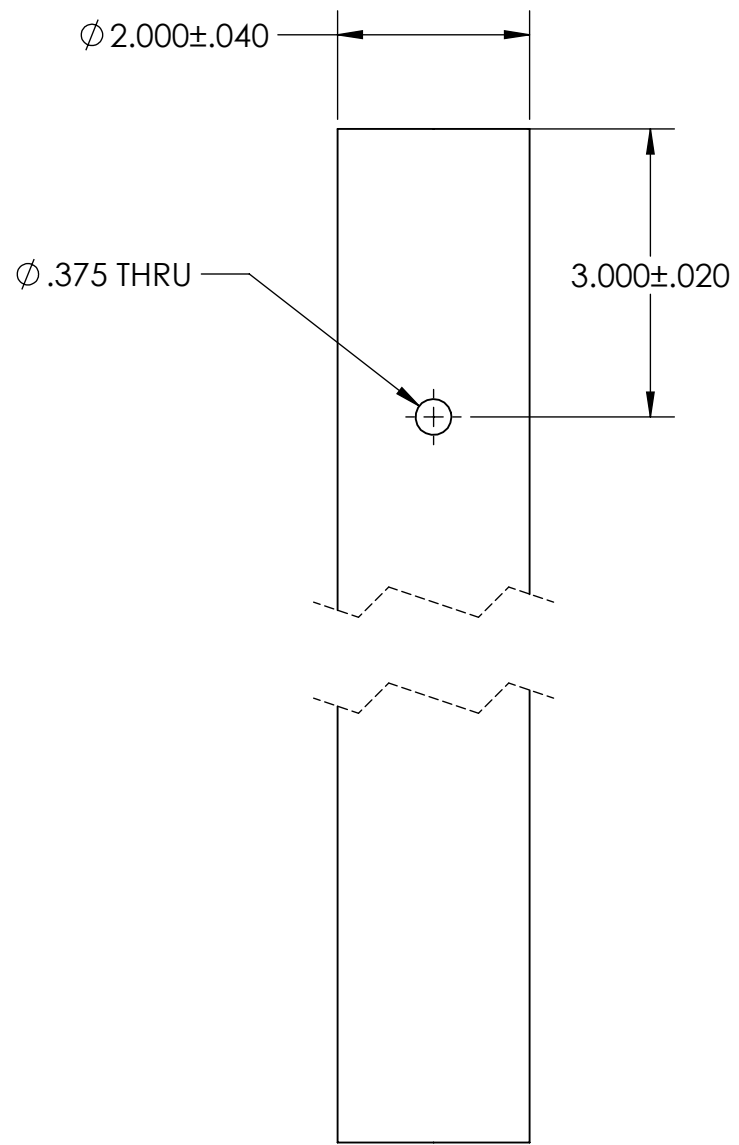
SECTION B-B  
SHEET 2  
ZONE F-3



SECTION A-A  
SHEET 2  
ZONE A-3

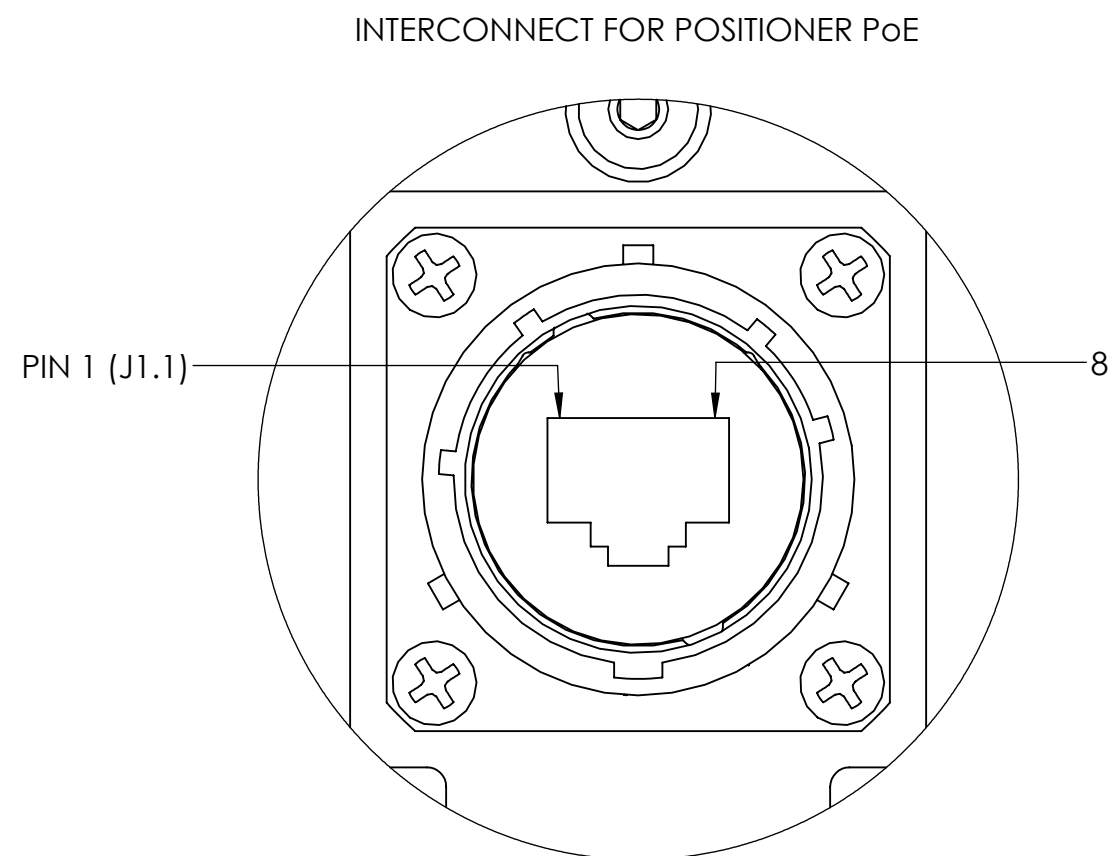


SECTION C-C



SUGGESTED POSITIONER  
MAST DIMENSIONS

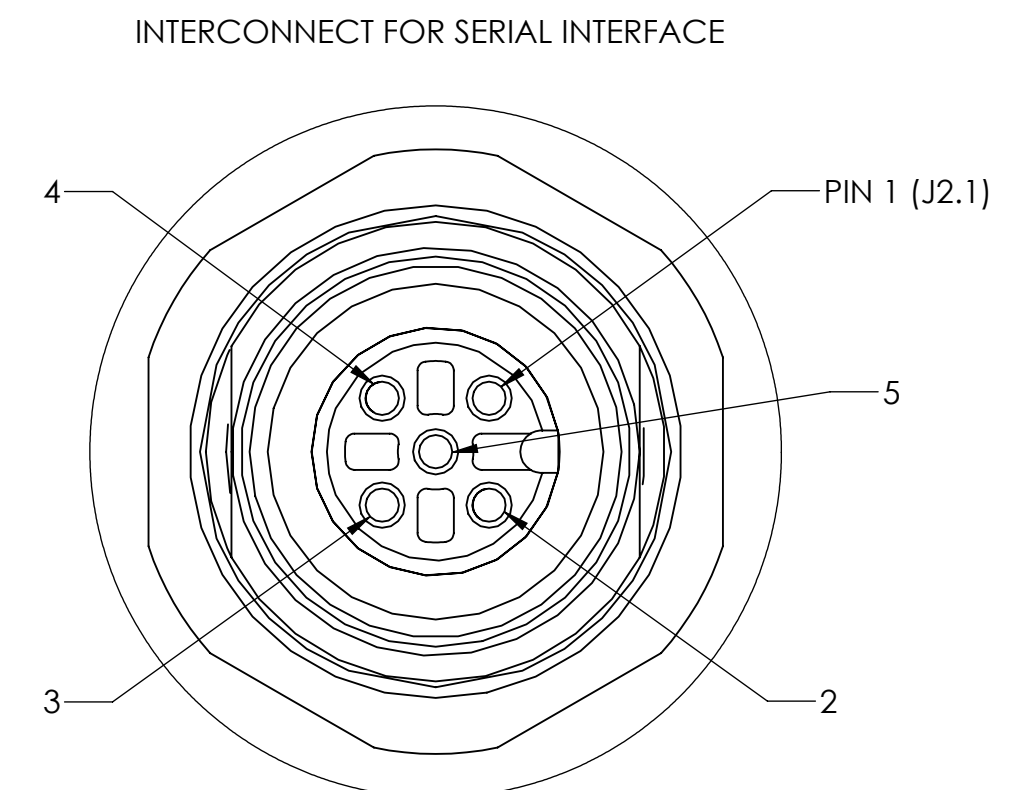
17



J1 CONNECTOR SHOWN FROM MATING SIDE  
MATES WITH AMPHENOL P/N - RJF6B

DETAIL D  
SCALE 2 : 1  
SHEET 3  
ZONE E-3  
SEE TABLE II FOR PINOUT DETAILS

TABLE II (PoE CONNECTOR)	
CONNECTOR DESIGNATION	FUNCTION
J1.1	DATA PAIR 1
J1.2	DATA PAIR 1
J1.3	DATA PAIR 2
J1.4	+48-56VDC PoE POWER INPUT
J1.5	+48-56VDC PoE POWER INPUT
J1.6	DATA PAIR 2
J1.7	DC RETURN FOR PoE INPUT
J1.8	DC RETURN FOR PoE INPUT



J2 CONNECTOR SHOWN FROM MATING SIDE  
MATES WITH TURCK P/N - 8151-0/PG9

DETAIL E  
SCALE 4 : 1  
SHEET 3  
ZONE E-2  
SEE TABLE III FOR PINOUT DETAILS

TABLE III (SERIAL CONNECTOR)	
CONNECTOR DESIGNATION	FUNCTION
J2.1	DC RETURN FOR QPARUSA JOYSTICK
J2.2	NOT USED
J2.3	(B) TxD-/RxD- DATA LINE
J2.4	(A) TxD+/RxD+ DATA LINE
J2.5	DC POWER FOR QPARUSA JOYSTICK